

INTERSAN

INDESTRUCTIBLE COMMUNAL SANITARY WARE



Catalogue 2026

Working together towards the best solutions

At Intersan, your wishes and needs come first. Thanks to your feedback and our collaboration, we can keep improving and adapting our products to offer the perfect solutions for your projects.

We're grateful for the trust you place in us. Quality and service are our top priorities, and we strive for a lasting relationship with you as our customer.

Do you have questions, or would you like tailored advice? Our team is always ready and happy to visit you on-site. Together, we build solutions that truly make a difference.

Kind regards



*Yves De Permentier
General Manager Intersan NV*

About Intersan

Since 1938, Intersan has been committed to providing forward-thinking sanitary solutions for a wide range of sectors. With a focus on hygiene, efficiency and ease of use, we deliver high-quality products such as wash troughs, hand washers, drinking fountains and sanitary cabins for toilets and showers.

Thanks to our partnership with Norm, we can also offer an extensive range of high-quality project furniture, including lockers, kitchens, storage cabinets and bathroom furniture. Our solutions are ideal for a variety of environments, such as schools, businesses, public spaces and more.

Contact details

📍 Brouwerijstraat 59
9770 Kruisem

☎ +32 9 333 83 83

✉ info@intersan.be

🌐 www.intersan.eu



OUR 9 GUARANTEES FOR YOU



YOUR ORDER,
DELIVERED FAST FOR
A SEAMLESS
INSTALLATION



SANITARY SOLUTIONS
SPECIALLY DESIGNED
FOR YOUR PROJECT:
**CUSTOM-MADE
OPTIONS AVAILABLE**



QUESTIONS OR
ISSUES? WE'RE HERE
FOR YOU, EVEN AFTER
YOUR ORDER



SAVE TIME AND
INSTALLATION COSTS,
THANKS TO OUR PLUG
& PLAY CONCEPT
WITH PRE-ASSEMBLED
PIPES AND TAPS



GUARANTEED
TOP QUALITY & EFFI-
CIENT
HANDLING
THANKS TO OUR ISO
9001
CERTIFICATION



TOGETHER, WE
COMMIT TO
SUSTAINABILITY:
OUR STAINLESS STEEL
IS 100% RECYCLABLE &
WE HOLD
ZERO-DISCHARGE
STATUS



THANKS TO THE
GUARANTEED
MAXIMUM
LIFESPAN OF OUR
PRODUCTS, YOU SAVE
ON FUTURE
INVESTMENTS



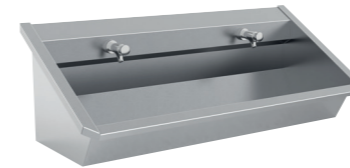
CHOOSE A
HEALTHIER
SANITARY
ENVIRONMENT WITH
STAINLESS STEEL
PRODUCTS **THAT
RESIST
BACTERIA**



THANKS TO OUR
YEARS OF EXPERIENCE,
WE OFFER SANITARY
SOLUTIONS THAT
PERFECTLY MATCH
YOUR SPECIFIC
NEEDS



OVERVIEW



SANILAV
STAINLESS STEEL COLLECTIVE WASH
TROUGHS
P.8



SANCAB
VANDAL-RESISTANT DRY AND WET SANITARY
CABINS
P.42



SANISPRAY
ERGONOMIC HAND-WASH FOUNTAINS IN
STAINLESS STEEL AND WHITE SYNTHETIC
MARBLE
P.56



SANSET
VANDAL-RESISTANT
STAINLESS STEEL SANITARY PRODUCTS
P.74



SANKIT
STAINLESS STEEL PRODUCTS FOR FITTING
OUT KITCHENS, BARS & HOSPITALITY
P.86



SANTRONIC
WIDE RANGE OF WALL-MOUNTED AND
WASHBASIN TAPS
P.94

Icon legends



New product



With legionella flushing



Fully touchless

The photos used in this catalogue are protected by copyright and may only be used for publication or mention on a website with our explicit permission. Images and colours may differ from the actual product.

The information is subject to printing errors, changes to the range and sold-out items. AI was used in the creation of this catalogue.

SANILAV®

COLLECTIVE WASH TROUGHS IN STAINLESS STEEL

Our Sanilav wash troughs combine hygiene, safety and functionality, specially designed for collective use.

Custom-made and flexible

At Sanilav, custom-made solutions are central to what we do. Create the perfect solution that seamlessly fits the unique needs of your project. What's more, our wash troughs can easily be installed in series, ensuring a consistent and aesthetic look.

Meeting the highest standards

- ****CE certification:**** Sanilav wash troughs fully comply with CE strength requirements.
- ****HACCP-compliant:**** By avoiding horizontal surfaces, they offer an optimal hygienic environment, ideal for strictly regulated sectors.

Plug and Play

We deliver our wash troughs ready to install, including pre-assembled pipes and taps. This saves installation time and ensures smooth commissioning.

Contact us today to discuss and bring your custom project to life!



Delivery time: 2 weeks

CONTENTS

FEATURES	10
Safety	10
Hygiene	11
Stainless steel 316: extra corrosion resistance	12
Functionality	14-15
SOAP SYSTEMS	16-17
SANILAV OVERVIEW	18-19
Sanilav 1	20-21
Sanilav 1S	22-23
Sanilav 1C	24-25
Sanilav 1CS	26-27
Sanilav 3	28-29
Sanilav 5	30-31
Sanilav 6	32
Sanilav 8	32
Sanilav 7E2	33
Sanilav 9E2	33
ORDER REFERENCE	34-35
DOCTOR'S WASH TROUGH	36-37
OPTIONS	38-39

FEATURES

Safety

CE REQUIREMENTS



Exceeds the CE strength requirements thanks to the thickness of the sheet material and the construction method.

- The standard prescribes $8 \times 25 = 200$ kg load, distributed over the length on a 3 m washing trough.
- A load of 6×50 kg, plus 2×25 kg on the ends = a total of 350 kg on the 3 m washing trough still causes no deformation and therefore no additional support is needed under the Intersan washing troughs.

SOFT TOUCH



- "Soft touch": models (S1, S3 of S5, S6 or S8) with wide folded back lower edges

NO SHARP OUTER CORNERS



- No sharp corners through a combination of shaping and welding techniques: 135° blunt front corners

VANDAL-RESISTANT



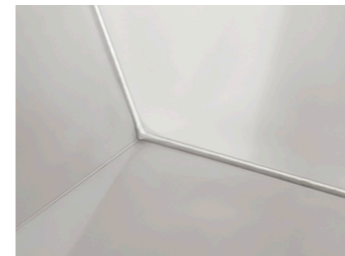
- Stainless steel does not break into shards when damaged
- **Four attachment points**, the bottom one of which at the front can be fastened with screws after hanging the washing trough so that it cannot be lifted

DURABLE AND LOW-MAINTENANCE

- The natural chromium oxide layer on the surface protects the material against rust and corrosion, even in humid environments such as sanitary rooms.
- Stainless steel is extremely low-maintenance. Cleaning with water and a stainless steel cleaner is enough to keep the material in optimal condition for years. The natural chromium oxide layer on the surface protects the material against rust and corrosion, even in humid environments.

Hygiene

INSIDE CORNERS (Sanilav 1)



- **Inside corners greater than 90°**
- Perfectly cleanable and therefore no contamination in the corners

WELDED ON THE INSIDE



- Welded on the **inside**
- No polluting, corrosive crevices

PRESSED DRAIN OPENING



- No seal and no screw
- No contamination of the drainage grid

WATER CHANNELLING



- No **stationary water** thanks to water channelling

SEAMLESS CONNECTION



- **Seamless connection of the taps on the washing trough**
- No threads and no protruding sealing materials

PIPING SYSTEM WITH UNIVERSAL FITTING



- Piping system, universal fitting left or right (stop plug included), **in accordance with legionella legislation**

NO DIRT ACCUMULATION (Sanilav 1)



The Intersan washing trough has no horizontal surfaces and no gaps at the back so that no hidden dirt can accumulate

PLUG & PLAY CONCEPT



- **Easy and quick installation:**
- back wall and tap ledge included (Sanilav 1)
- mounted pipes and taps, tested for water-tightness
- mounted drain connection



Stainless steel 316: extra corrosion resistance

INOX 316 OR 304?

Intersan wash troughs in stainless steel 316

For demanding applications where maintenance is difficult, Intersan offers a selection of wash troughs in stainless steel 316.

Not all stainless steel is equal

"Inox" is a synonym for stainless steel. However, "stainless" means rust-resistant, not completely rust-proof – certain products and uses can still lead to rust formation. As a result, there are different grades of corrosion resistance.

The historical standard is stainless steel 304, a chromium-nickel alloy. The high chromium content determines the corrosion resistance, while nickel – a more expensive component – ensures that corrosion resistance is also maintained at weld seams.

Nowadays, a less corrosion-resistant alloy is also used, misleadingly marketed as a quality feature under the name "chrome steel." This type lacks the nickel component and therefore offers lower corrosion resistance than stainless steel 304.

Stainless steel 316: the highest quality

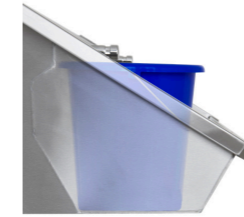
Stainless steel 316 goes a step further than stainless steel 304. Thanks to the addition of molybdenum, this type is significantly more resistant to acids and chlorides. Stainless steel 316 is therefore the recommended choice for:

- environments with aggressive cleaning or disinfecting agents (medical sector, food industry)
- applications at sea or in coastal areas

Our wash troughs are also available in **stainless steel 316**. For wash troughs that may come into contact with chlorine or other acids, we recommend choosing stainless steel 316. This material has molybdenum added to the alloy, making it highly resistant to acids, salts and chlorine.



Functionality



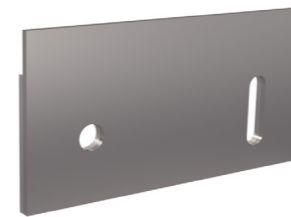
FLAT BOTTOM

- Allows a bucket to be placed in the washing trough



SERIES ASSEMBLY

- Thanks to the special suspension system, the washing troughs can be mounted perfectly vertical and horizontal in series



SYPHON CONNECTION

- The syphon connection is fitted on the bottom of the washing trough

A6-150

OPTIONS

STORAGE CABINET

- Shallow lockable storage cabinet with vandal-resistant mirror (for paper and soap storage)
- A vandal-resistant dispenser can be mounted on the cabinet



MIRROR

SOAP DISPENSER

- Integrated vandal-resistant soap dispenser system with central filling system (6 L) with level indicator (for more information, see page 12)



P2820

P2407

THERMOSTAT AND PRESSURE REGULATOR

- Thermostat: ref P2820: Taco compact
- Pressure regulator: ref P2407: Redufix Watts

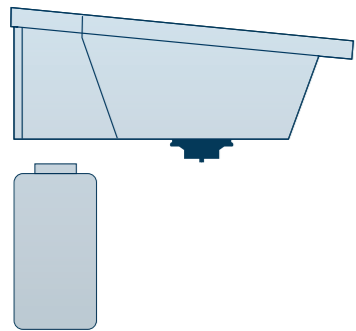
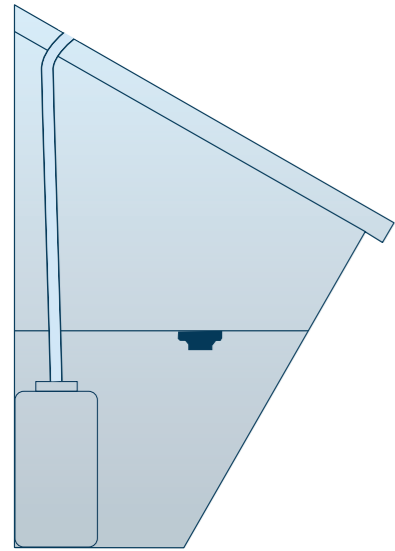
SOAP AND BRUSH DISH

PROTECTIVE SKIRT

- Protective skirt mounted under the washing trough. This protects the 6L soap container, the syphon, the pipes and any electronics

THE SOAP SYSTEMS

The choice of the number of soap systems depends on the number of taps. The soap systems are mounted between the taps.



FOR SANILAV 1

SERE

- Mechanical soap dispensers based on a filling system (6-litre container)
- Integrated level indicator
- Only possible in combination with electronic taps, 220V with transformer = M9T and M13T

SMR

- Mechanical soap dispensers
- Filling system (6-litre container) without level indicator

SOAP FILLING SYSTEM

For the SERE* and SMR soap systems, a filling system is integrated in the washing trough, so that the soap reservoir can be refilled from the top with a filling funnel.

*Refilling the 6-litre central soap reservoir is facilitated thanks to the filling system with **level indicator** (green / orange / red LED)



SOAP AND NAIL BRUSH DISH



FOR SANILAV 3 AND 5

SMB

- Mechanical soap dispensers
- 6-litre container
- Includes wall bracket

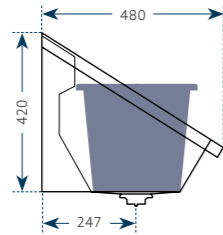


SANILAV OVERVIEW



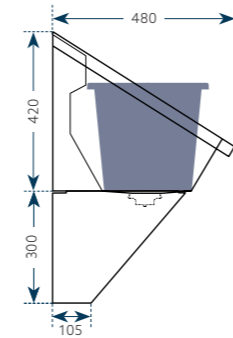
SANILAV 1 (pages 20-21)

- The built-in splashback and tap ledge avoid polluting gaps and horizontal surfaces



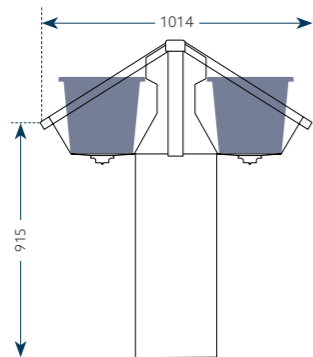
SANILAV 1S (pages 22-23)

- Sanilav 1 with a skirt underneath the washing trough: to protect piping, any electronics, the soap system and thermostat



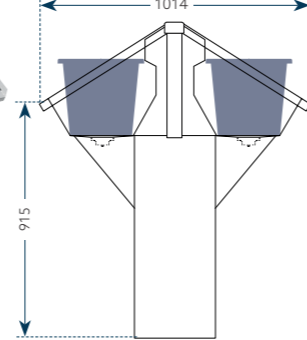
SANILAV 1C (pages 24-25)

- Creates additional washing stations in the middle of a washing room
- The supply and discharge lines can be incorporated into the leg set that is closed with doors



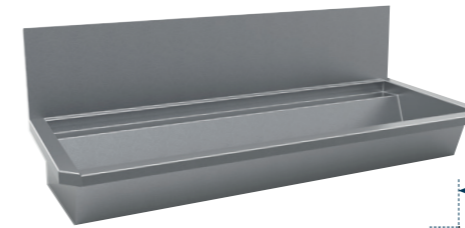
SANILAV 1CS (pages 26-27)

- Sanilav 1C with a skirt underneath the washing trough: to protect piping, any electronics, the soap system and thermostat
- Creates additional washing stations in the middle of a washing room
- The supply and discharge lines can be incorporated into the leg set that is closed with doors



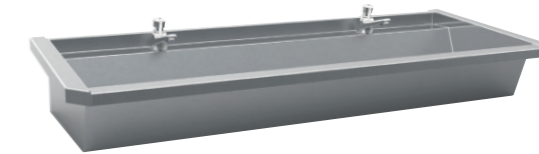
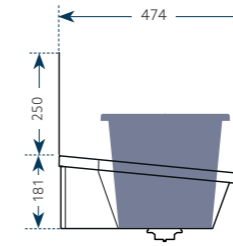
ORDER REFERENCE COMPOSITIONS: PAGE 34

OPTIONS: PAGE 38



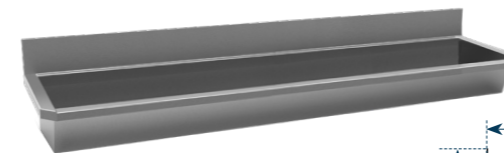
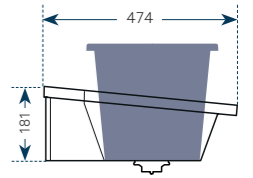
SANILAV 3 (pages 28-29)

- The separate splashback behind the horizontal tap surface protects the wall from splashes
- Functionally and hygienically the best choice in the simplified models segment



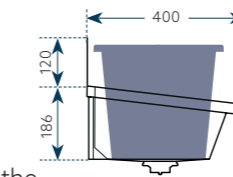
SANILAV 5 (pages 30-31)

- Sanilav 3 without splashback



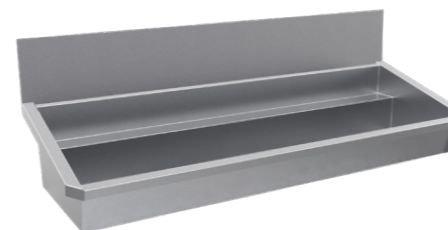
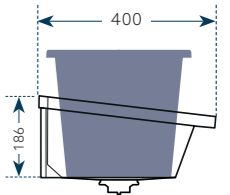
SANILAV 6 (pages 32)

- For installations with taps on the wall
- The separate splashback behind the horizontal tap surface protects the wall from splashes



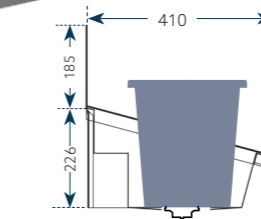
SANILAV 8 (pages 32)

- Sanilav 6 without splashback



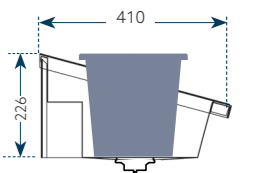
SANILAV 7E2 (pages 33)

- Washing trough with straight corners



SANILAV 9E2 (page 33)

- Sanilav 7E2 without splashback



NEED A STAINLESS STEEL 316 WASHING TROUGH? CONTACT US

OPTIONS FOR S1 MODELS

LEGS

- Height adjustable legs (RP)
- Fixed legs (VP)



Height adjustable legs (VP1)

Fixed legs (P1)

BACK



Low back for free-standing P1 and washing trough rear covering with pipes (R1)

High back for free-standing S1 and washing trough rear covering with pipes and skirt (protection under the washing trough) (HR1)

OPTIONS FOR THE S3/S5, S6/S8, S7E2/S9E2 MODELS

LEGS

Tubular legs for the Sanilav 3, 5, 6 and 8 (B5). Serves to support the washing trough if fixed to the wall.

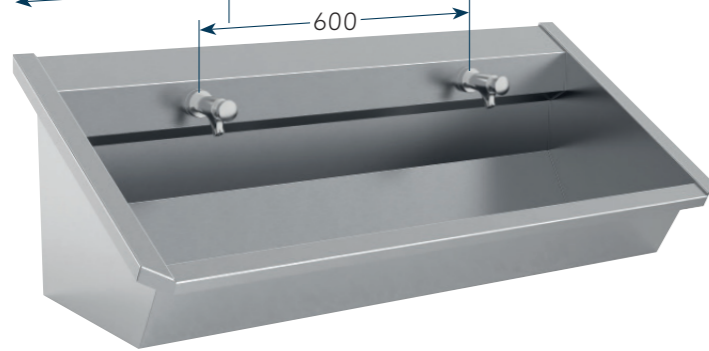
Fixed legs for Sanilav 5, 9E2 (P9)

BACK



Low back panel for free-standing installation S5 and S9E2, covering the rear of the wash trough with piping. Available back panels for Sanilav 5: R5-60 to R5-300. Available back panels for Sanilav 9E2: R9-60 to R9-300.

(1 stn.) 600 - (2 stns.) 1,200 - (2 stns.) 1,400 - (3 stns.) 1,800 -
 (3 stns.) 2,100 - (4 stns.) 2,400 - (5 stns.) 3,000



SANILAV 1

- The built-in splashback and tap ledge avoid polluting gaps and horizontal surfaces

ORDER REFERENCE COMPOSITIONS: P.34

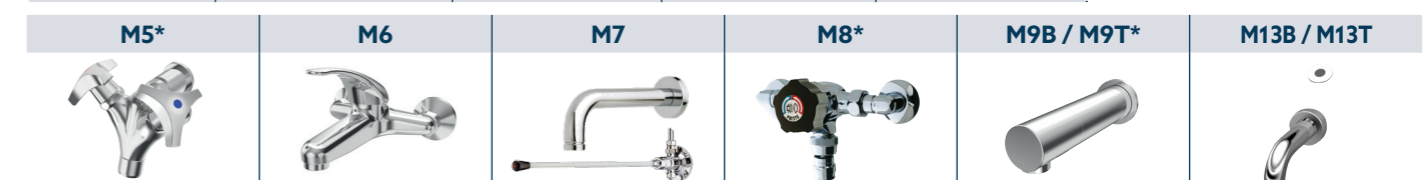
OPTIONS: P. 38



NEED A CUSTOMISED WASHING TROUGH? CONTACT US

TAP	VERSION / DESCRIPTION OF TAP Piping system, universal fitting left or right (stop plug included), also in through-flow (NL) (L, R or D)	1 STN. / 60 cm 2 STNS. / 120 cm	
		REF.	REF.
Z2	with one pipe and tap connection, 1/2" F	1-1-Z2-60	1-2-Z2
Z3	with two pipes and two tap connections, 3/4" M, centre to centre distance 150 mm	1-1-Z3-60	1-2-Z3
M2	with one pipe and bib tap	1-1-M2-60	1-2-M2
M3P	with one pipe and PRESTO self-closing tap	1-1-M3P-60	1-2-M3P
M3D	with one pipe and Delabie self-closing tap	1-1-M3D-60	1-2-M3D
M3R	with one pipe and River self-closing tap	1-1-M3R-60	1-2-M3R
M3DS	with one pipe and Delabie soft-touch self-closing tap	1-1-M3DS-60	1-2-M3DS
M4	with one pipe and tap with elbow control	1-1-M4-60	1-2-M4
M5	with two pipes and centre hole mixer tap	1-1-M5-60	1-2-M5
M6	with two pipes and a single lever mixer tap	1-1-M6-60	1-2-M6
M7	with one pipe and knee control	1-1-M7-60	1-2-M7
M8	with two pipes and a self-closing mixer tap	1-1-M8-60	1-2-M8
M9B	with one pipe and an electronic tap on batteries	1-1-M9B-60	1-2-M9B
M9T	with one pipe and electronic tap on mains power, incl. transformer	1-1-M9T-60	1-2-M9T
M13B	with one pipe and an electronic tap on batteries	1-1-M13B-60	1-2-M13B
M13T	with one pipe and electronic tap on mains power, incl. transformer	1-1-M13T-60	1-2-M13T

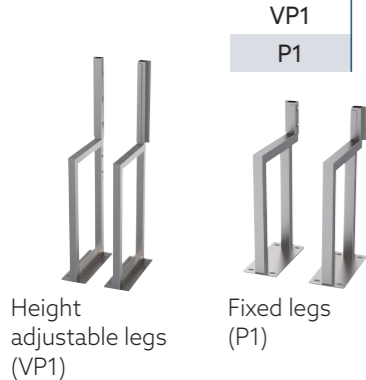
2 STNS. / 140 cm	3 STNS. / 180 cm	3 STNS. / 210 cm	4 STNS. / 240 cm	5 STNS. / 300 cm
REF.	REF.	REF.	REF.	REF.
1-2-Z2-140	1-3-Z2	1-4-Z2-240	1-4-Z2	1-5-Z2
1-2-Z3-140	1-3-Z3	1-4-Z3-240	1-4-Z3	1-5-Z3
1-2-M2-140	1-3-M2	1-4-M2-240	1-4-M2	1-5-M2
1-2-M3P-140	1-3-M3P	1-4-M3P-240	1-4-M3P	1-5-M3P
1-2-M3D-140	1-3-M3D	1-4-M3D-240	1-4-M3D	1-5-M3D
1-2-M3R-140	1-3-M3R	1-4-M3R-240	1-4-M3R	1-5-M3R
1-2-M3DS-140	1-3-M3DS	1-4-M3DS-240	1-4-M3DS	1-5-M3DS
1-2-M4-140	1-3-M4	1-4-M4-240	1-4-M4	1-5-M4
1-2-M5-140	1-3-M5	1-4-M5-240	1-4-M5	1-5-M5
1-2-M6-140	1-3-M6	1-4-M6-240	1-4-M6	1-5-M6
1-2-M7-140	1-3-M7	1-4-M7-240	1-4-M7	1-5-M7
1-2-M8-140	1-3-M8	1-4-M8-240	1-4-M8	1-5-M8
1-2-M9B-140	1-3-M9B	1-4-M9B-240	1-4-M9B	1-5-M9B
1-2-M9T-140	1-3-M9T	1-4-M9T-240	1-4-M9T	1-5-M9T
1-2-M13B-140	1-3-M13B	1-4-M13B-240	1-4-M13B	1-5-M13B
1-2-M13T-140	1-3-M13T	1-4-M13T-240	1-4-M13T	1-5-M13T



** The legionella flushing can be activated by remote control

OPTIONS

LEGS



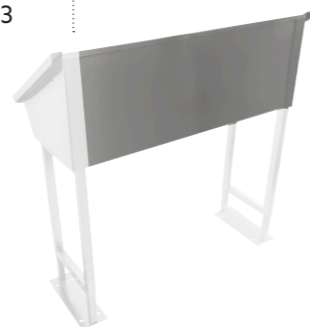
WALL CABINET

Shallow lockable storage cabinet (for paper and soap supplies), on which paper dispensers can be mounted alongside vandal-resistant mirrors (and conventional wall-mounted soap dispensers)



REF.	REF.
VP1	A1-2
P1	A1-3

BACK, LOW MODEL



REF.
HR1-60
HR1-120
HR1-140
HR1-180
HR1-210
HR1-240
HR1-300

OPTIONS

SOAP DISPENSERS

The soap dispensers are mounted between the taps

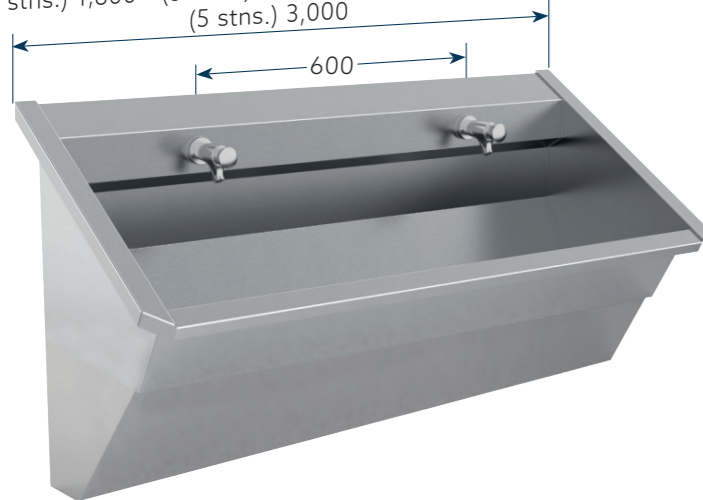
MANUAL SOAP DISPENSER WITH 6 L FILLING SYSTEM with level indicator (220 V required)

TYPE + QUANTITY	REF.
one soap pump	SMR1
two soap pumps	SMR2
three soap pumps	SMR3
four soap pumps	SMR4

ELECTRONIC SOAP DISPENSER WITH 6 L REFILL SYSTEM with level indicator (220 V required)

TYPE + QUANTITY	REF.
one electronic soap dispenser	SERE1
two electronic soap dispensers	SERE2
three electronic soap dispensers	SERE3
four electronic soap dispensers	SERE4

(1 stn.) 600 - (2 stns.) 1,200 - (2 stns.) 1,400 - (3 stns.) 1,800 - (3 stns.) 2,100 - (4 stns.) 2,400 - (5 stns.) 3,000



SANILAV 1S

- The built-in splashback and tap ledge avoid polluting gaps and horizontal surfaces
- Protective skirt can be installed underneath the washing trough: to protect piping, any electronics, the soap system and thermostat

ORDER REFERENCE COMPOSITIONS: P.34

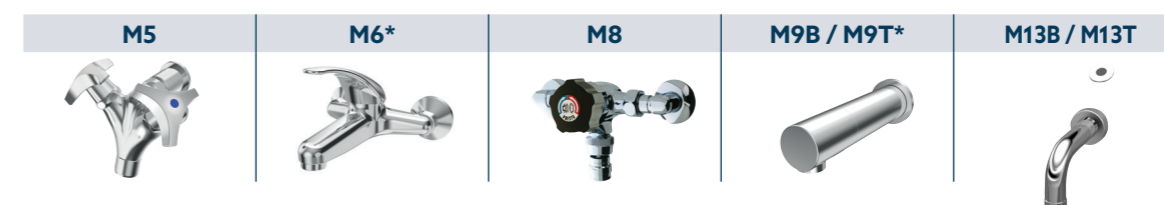
OPTIONS: P. 38



NEED A CUSTOMISED WASHING TROUGH? CONTACT US

TAP	VERSION / DESCRIPTION OF TAP Piping system, universal fitting left or right (stop plug included), also in through-flow (NL) (L, R or D)	1 STN. / 60 cm 2 STNS. / 120 cm	
		REF.	REF.
Z2	with one pipe and tap connection, 1/2" F, without taps	1S-1-Z2-60	1S-2-Z2
Z3	with two pipes and two tap connections, 3/4" M, centre to centre distance 150 mm	1S-1-Z3-60	1S-2-Z3
M2	with one pipe and bib tap	1S-1-M2-60	1S-2-M2
M3P	with one pipe and PRESTO self-closing tap	1S-1-M3P-60	1S-2-M3P
M3D	with one pipe and Delabie self-closing tap	1S-1-M3D-60	1S-2-M3D
M3R	with one pipe and River self-closing tap	1S-1-M3R-60	1S-2-M3R
M3DS	with one pipe and Delabie soft-touch self-closing tap	1S-1-M3DS-60	1S-2-M3DS
M4	with one pipe and tap with elbow control	1S-1-M4-60	1S-2-M4
M5	with two pipes and centre hole mixer tap	1S-1-M5-60	1S-2-M5
M6	with one pipe and a single lever mixer tap	1S-1-M6-60	1S-2-M6
M8	with two pipes and a self-closing mixer tap	1S-1-M8-60	1S-2-M7
M9B	with one pipe and an electronic tap on batteries	1S-1-M9B-60	1S-2-M8
M9T	with one pipe and electronic tap on mains power, incl. transformer	1S-1-M9T-60	1S-2-M9B
M13B	with one pipe and an electronic tap on batteries	1S-1-M13B-60	1S-2-M9T
M13T	with one pipe and electronic tap on mains power, incl. transformer	1S-1-M13T-60	1S-2-M13B

2 STNS. / 140 cm	3 STNS. / 180 cm	3 STNS. / 210 cm	4 STNS. / 240 cm	5 STNS. / 300 cm
REF.	REF.*	REF.	REF.	REF.
1S-2-Z2-140	1S-3-Z2-180	1S-3-Z2-210	1S-4-Z2-240	1S-5-Z2-300
1S-2-Z3-140	1S-3-Z3-180	1S-3-Z3-210	1S-4-Z3-240	1S-5-Z3-300
1S-2-M2-140	1S-3-M2-180	1S-3-M2-210	1S-4-M2-240	1S-5-M2-300
1S-2-M3P-140	1S-3-M3P-180	1S-3-M3P-210	1S-4-M3P-240	1S-5-M3P-300
1S-2-M3D-140	1S-3-M3D-180	1S-3-M3D-210	1S-4-M3D-240	1S-5-M3D-300
1S-2-M3R-140	1S-3-M3R-180	1S-3-M3R-210	1S-4-M3R-240	1S-5-M3R-300
1S-2-M3DS-140	1S-3-M3DS-180	1S-3-M3DS-210	1S-4-M3DS-240	1S-5-M3DS-300
1S-2-M4-140	1S-3-M4-180	1S-3-M4-210	1S-4-M4-240	1S-5-M4-300
1S-2-M5-140	1S-3-M5-180	1S-3-M5-210	1S-4-M5-240	1S-5-M5-300
1S-2-M6-140	1S-3-M6-180	1S-3-M6-210	1S-4-M6-240	1S-5-M6-300
1S-2-M8-140	1S-3-M8-180	1S-3-M8-210	1S-4-M8-240	1S-5-M8-300
1S-2-M9B-140	1S-3-M9B-180	1S-3-M9B-210	1S-4-M9B-240	1S-5-M9B-300
1S-2-M9T-140	1S-3-M9T-180	1S-3-M9T-210	1S-4-M9T-240	1S-5-M9T-300
1S-2-M13B-140	1S-3-M13B-180	1S-3-M13B-210	1S-4-M13B-240	1S-5-M13B-300
1S-2-M13T-140	1S-3-M13T-180	1S-3-M13T-210	1S-4-M13T-240	1S-5-M13T-300

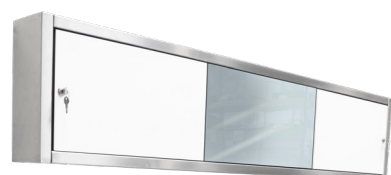


* The legionella flushing can be activated by remote control

OPTIONS

WALL CABINET

- Shallow lockable storage cabinet (for paper and soap supplies), on which paper dispensers can be mounted alongside vandal-resistant mirrors (and conventional wall-mounted soap dispensers)



cabinet 120 2 places	cabinet 180 3 places
REF.	REF.
A1-2	A1-3

BACK, LOW MODEL



REF.
HR1-60
HR1-120
HR1-140
HR1-180
HR1-210
HR1-240
HR1-300

OPTIONS

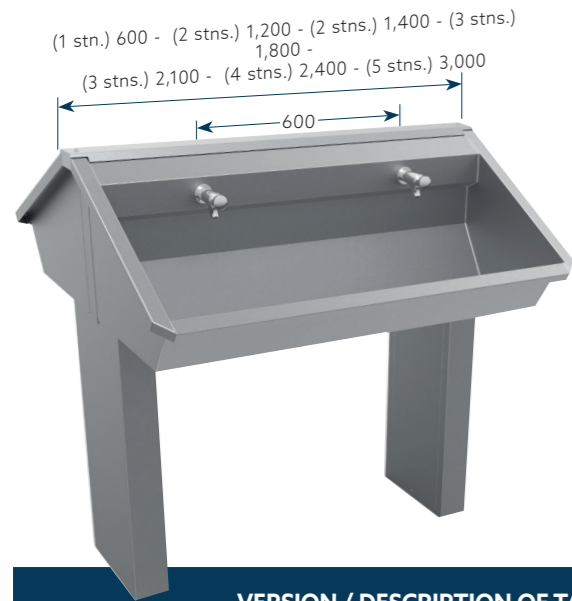
SOAP DISPENSERS

- The soap dispensers are mounted between the taps



MANUAL SOAP DISPENSER WITH 6 L FILLING SYSTEM	
TYPE + QUANTITY	REF.
one soap pump	SMR1
two soap pumps	SMR2
three soap pumps	SMR3
four soap pumps	SMR4

ELECTRONIC SOAP DISPENSER WITH 6 L REFILL SYSTEM with level indicator (220 V required)	
TYPE + QUANTITY	REF.
one electronic soap dispenser	SERE1
two electronic soap dispensers	SERE2
three electronic soap dispensers	SERE3
four electronic soap dispensers	SERE4



SANILAV 1C

- The built-in splashback and tap ledge avoid polluting gaps and horizontal surfaces
- Creates additional washing stations in the middle of a washing room
- The supply and discharge lines can be incorporated into the leg set that is closed with doors

TAP	VERSION / DESCRIPTION OF TAP Piping system, universal fitting left or right (stop plug included), also in through-flow (NL) (L, R or D)	1 STN. / 60 cm Sanilav 1C-60	
		REF.	REF.
Z2	with one pipe and tap connection, 1/2" F, without taps	1C-1-Z2-60	1C-2-Z2-120
Z3	with two pipes and two tap connections, 3/4" M, centre to centre distance 150 mm	1C-1-Z3-60	1C-2-Z3-120
M2	with one pipe and bib tap	1C-1-M2-60	1C-2-M2-120
M3P	with one pipe and PRESTO self-closing tap	1C-1-M3P-60	1C-2-M3P-120
M3D	with one pipe and Delabie self-closing tap	1C-1-M3D-60	1C-2-M3D-120
M3R	with one pipe and River self-closing tap	1C-1-M3R-60	1C-2-M3R-120
M3DS	with one pipe and Delabie soft-touch self-closing tap	1C-1-M3DS-60	1C-2-M3DS-120
M4	with one pipe and tap with elbow control	1C-1-M4-60	1C-2-M4-120
M5	with two pipes and centre hole mixer tap	1C-1-M5-60	1C-2-M5-120
M6	with one pipe and a single lever mixer tap	1C-1-M6-60	1C-2-M6-120
M8	with two pipes and a self-closing mixer tap	1C-1-M8-60	1C-2-M8-120
M9B	with one pipe and an electronic tap on batteries	1C-1-M9B-60	1C-2-M9B-120
M9T	with one pipe and electronic tap on mains power, incl. transformer	1C-1-M9T-60	1C-2-M9T-120
M13B	with one pipe and an electronic tap on batteries	1C-1-M13B-60	1C-2-M13B-120
M13T	with one pipe and electronic tap on mains power, incl. transformer	1C-1-M13T-60	1C-2-M13T-120



ORDER REFERENCE COMPOSITIONS: P.34

OPTIONS: P. 38

 **NEED A CUSTOMISED WASHING TROUGH? CONTACT US**

2 STNS. / 140 cm	3 STNS. / 180 cm	3 STNS. / 210 cm	4 STNS. / 240 cm	5 STNS. / 300 cm
REF.	REF.	REF.	REF.	REF.
1C-2-Z2-140	1C-3-Z2-180	1C-3-Z2-210	1C-4-Z2-240	1C-5-Z2-300
1C-2-Z3-140	1C-3-Z3-180	1C-3-Z3-210	1C-4-Z3-240	1C-5-Z3-300
1C-2-M2-140	1C-3-M2-180	1C-3-M2-210	1C-4-M2-240	1C-5-M2-300
1C-2-M3P-140	1C-3-M3P-180	1C-3-M3P-210	1C-4-M3P-240	1C-5-M3P-300
1C-2-M3D-140	1C-3-M3D-180	1C-3-M3D-210	1C-4-M3D-240	1C-5-M3D-300
1C-2-M3R-140	1C-3-M3R-180	1C-3-M3R-210	1C-4-M3R-240	1C-5-M3R-300
1C-2-M3DS-140	1C-3-M3DS-180	1C-3-M3DS-210	1C-4-M3DS-240	1C-5-M3DS-300
1C-2-M4-140	1C-3-M4-180	1C-3-M4-210	1C-4-M4-240	1C-5-M4-300
1C-2-M5-140	1C-3-M5-180	1C-3-M5-210	1C-4-M5-240	1C-5-M5-300
1C-2-M6-140	1C-3-M6-180	1C-3-M6-210	1C-4-M6-240	1C-5-M6-300
1C-2-M8-140	1C-3-M8-180	1C-3-M8-210	1C-4-M8-240	1C-5-M8-300
1C-2-M9B-140	1C-3-M9B-180	1C-3-M9B-210	1C-4-M9B-240	1C-5-M9B-300
1C-2-M9T-140	1C-3-M9T-180	1C-3-M9T-210	1C-4-M9T-240	1C-5-M9T-300
1C-2-M13B-140	1C-3-M13B-180	1C-3-M13B-210	1C-4-M13B-240	1C-5-M13B-300
1C-2-M13T-140	1C-3-M13T-180	1C-3-M13T-210	1C-4-M13T-240	1C-5-M13T-300



**** The legionella flushing can be activated by remote control**

OPTIONS

SOAP DISPENSERS

- The soap dispensers are mounted between the taps

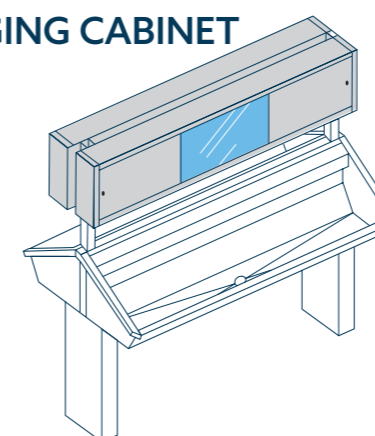


MANUAL SOAP DISPENSER WITH 6 L FILLING SYSTEM with level indicator (220 V required)	
TYPE + QUANTITY	REF.
one soap pump	SMR1
two soap pumps	SMR2
three soap pumps	SMR3
four soap pumps	SMR4

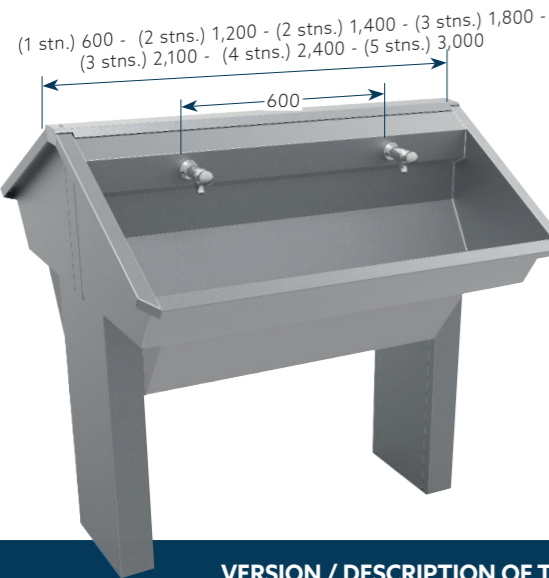
ELECTRONIC SOAP DISPENSER WITH 6 L REFILL SYSTEM with level indicator (220 V required)	
TYPE + QUANTITY	REF.
one electronic soap dispenser	SERE1
two electronic soap dispensers	SERE2
three electronic soap dispensers	SERE3
four electronic soap dispensers	SERE4

OPTIONS

HANGING CABINET



HANGING CABINET 120 cm	HANGING CABINET 180 cm
REF.	REF.
A1C-2	A1C-3



SANILAV 1CS

- The built-in splashback and tap ledge avoid polluting gaps and horizontal surfaces
- Protective skirt underneath the washing trough: to protect piping, any electronics, the soap system and thermostat
- Creates additional washing stations in the middle of a washing room
- The supply and discharge lines can be incorporated into the leg set that is closed with doors

TAP	VERSION / DESCRIPTION OF TAP Piping system, universal fitting left or right (stop plug included), also in through-flow (NL) (L, R or D)	1 STN. / 60 cm	2 STNS. / 120 cm
		REF.	REF.
Z2	with one pipe and tap connection, 1/2" F, without taps	1CS-1-Z2-60	1CS-2-Z2-120
Z3	with two pipes and two tap connections, 3/4" M, centre to centre distance 150 mm	1CS-1-Z3-60	1CS-2-Z3-120
M2	with one pipe and bib tap	1CS-1-M2-60	1CS-2-M2-120
M3P	with one pipe and PRESTO self-closing tap	1CS-1-M3P-60	1CS-2-M3P-120
M3D	with one pipe and Delabie self-closing tap	1CS-1-M3D-60	1CS-2-M3D-120
M3R	with one pipe and River self-closing tap	1CS-1-M3R-60	1CS-2-M3R-120
M3DS	with one pipe and Delabie soft-touch self-closing tap	1CS-1-M3DS-60	1CS-2-M3DS-120
M4	with one pipe and tap with elbow control	1CS-1-M4-60	1CS-2-M4-120
M5	with two pipes and centre hole mixer tap	1CS-1-M5-60	1CS-2-M5-120
M6	with one pipe and single lever mixer tap	1CS-1-M6-60	1CS-2-M6-120
M8	with two pipes and a self-closing mixer tap	1CS-1-M8-60	1CS-2-M8-120
M9B	with one pipe and an electronic tap on batteries	1CS-1-M9B-60	1CS-2-M9B-120
M9T	with one pipe and electronic tap on mains power, incl. transformer	1CS-1-M9T-60	1CS-2-M9T-120
M13B	with one pipe and an electronic tap on batteries	1CS-1-M13B-60	1CS-2-M13B-120
M13T	with one pipe and electronic tap on mains power, incl. transformer	1CS-1-M13T-60	1CS-2-M13T-120



OPTIONS

SOAP DISPENSERS

- The soap dispensers are mounted between the taps



MANUAL SOAP DISPENSER WITH 6 L FILLING SYSTEM with level indicator (220 V required)	
TYPE + QUANTITY	REF.
one soap pump	SMR1
two soap pumps	SMR2
three soap pumps	SMR3
four soap pumps	SMR4

ELECTRONIC SOAP DISPENSER WITH 6 L REFILL SYSTEM with level indicator (220 V required)	
TYPE + QUANTITY	REF.
one electronic soap dispenser	SERE1
two electronic soap dispensers	SERE2
three electronic soap dispensers	SERE3
four electronic soap dispensers	SERE4

ORDER REFERENCE COMPOSITIONS: P.34

OPTIONS: P. 38



NEED A CUSTOMISED WASHING TROUGH? CONTACT US

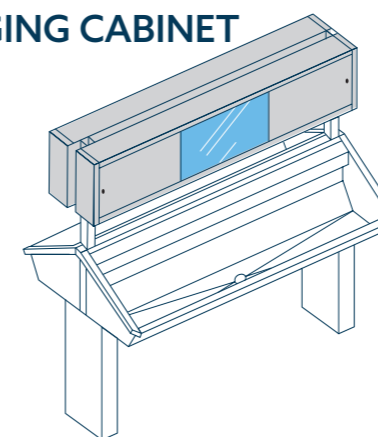
2 STNS. / 140 cm	3 STNS. / 180 cm	3 STNS. / 210 cm	4 STNS. / 240 cm	5 STNS. / 300 cm
REF.	REF.	REF.	REF.	REF.
1CS-2-Z2-140	1CS-3-Z2-180	1CS-3-Z2-210	1CS-4-Z2-240	1CS-5-Z2-300
1CS-2-Z3-140	1CS-3-Z3-180	1CS-3-Z3-210	1CS-4-Z3-240	1CS-5-Z3-300
1CS-2-M2-140	1CS-3-M2-180	1CS-3-M2-210	1CS-4-M2-240	1CS-5-M2-300
1CS-2-M3P-140	1CS-3-M3P-180	1CS-3-M3P-210	1CS-4-M3P-240	1CS-5-M3P-300
1CS-2-M3D-140	1CS-3-M3D-180	1CS-3-M3D-210	1CS-4-M3D-240	1CS-5-M3D-300
1CS-2-M3R-140	1CS-3-M3R-180	1CS-3-M3R-210	1CS-4-M3R-240	1CS-5-M3R-300
1CS-2-M3DS-140	1CS-3-M3DS-180	1CS-3-M3DS-210	1CS-4-M3DS-240	1CS-5-M3DS-300
1CS-2-M4-140	1CS-3-M4-180	1CS-3-M4-210	1CS-4-M4-240	1CS-5-M4-300
1CS-2-M5-140	1CS-3-M5-180	1CS-3-M5-210	1CS-4-M5-240	1CS-5-M5-300
1CS-2-M6-140	1CS-3-M6-180	1CS-3-M6-210	1CS-4-M6-240	1CS-5-M6-300
1CS-2-M8-140	1CS-3-M8-180	1CS-3-M8-210	1CS-4-M8-240	1CS-5-M8-300
1CS-2-M9B-140	1CS-3-M9B-180	1CS-3-M9B-210	1CS-4-M9B-240	1CS-5-M9B-300
1CS-2-M9T-140	1CS-3-M9T-180	1CS-3-M9T-210	1CS-4-M9T-240	1CS-5-M9T-300
1CS-2-M13B-140	1CS-3-M13B-180	1CS-3-M13B-210	1CS-4-M13B-240	1CS-5-M13B-300
1CS-2-M13T-140	1CS-3-M13T-180	1CS-3-M13T-210	1CS-4-M13T-240	1CS-5-M13T-300



* The legionella flushing can be activated by remote control

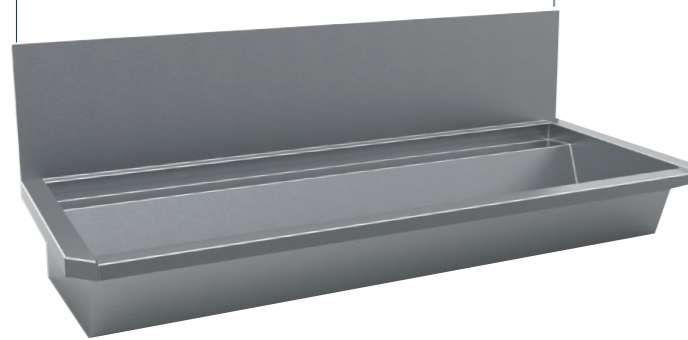
OPTIONS

HANGING CABINET



HANGING CABINET 120 cm	HANGING CABINET 180 cm
REF.	REF.
A1C-2	A1C-3

(1 stn.) 600 - (2 stns.) 1,200 - (2 stns.) 1,400 - (3 stns.) 1,800 -
(3 stns.) 2,100 - (4 stns.) 2,400 - (5 stns.) 3,000



SANILAV 3

- The separate splashback behind the horizontal tap surface protects the wall from splashes
- Functionally and hygienically the best choice in the simplified models segment

ORDER REFERENCE COMPOSITIONS: P.34

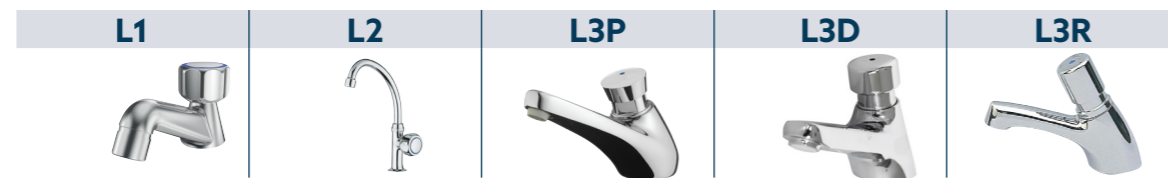
OPTIONS: P. 38



NEED A CUSTOMISED WASHING TROUGH? CONTACT US

TAP	VERSION / DESCRIPTION OF TAP Piping system, universal fitting left or right (stop plug included), also in through-flow (NL) (L, R or D)	1 STN. / 60 cm	2 STNS. / 120 cm
		REF.	REF.
Z1	without taps, without tap holes	3-Z1-60	3-Z1-120
22 mm	with 22 mm tap holes	3-1-22 mm-60	3-2-22 mm-120
35 mm	with 35 mm tap holes	3-1-35 mm-60	3-2-35 mm-120
L1	with one pipe and bib tap	3-1-L1-60	3-2-L1-120
L2	with 1 pipe and high-neck tap	3-1-L2-60	3-2-L2-120
L3P	with one pipe and PRESTO self-closing tap	3-1-L3P-60	3-2-L3P-120
L3D	with one pipe and Delabie self-closing tap	3-1-L3D-60	3-2-L3D-120
L3R	with one pipe and River self-closing tap	3-1-L3R-60	3-2-L3R-120
L4	with two pipes and a single lever mixer tap	3-1-L4-60	3-2-L4-120
L6B	with one pipe and an electronic tap on batteries	3-1-L6B-60	3-2-L6B-120
L6T	with one pipe and an electronic tap L6T (220V)	3-1-L6T-60	3-2-L6T-120

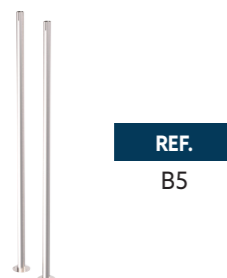
2 STNS. / 140 cm	3 STNS. / 180 cm	3 STNS. / 210 cm	4 STNS. / 240 cm	5 STNS. / 300 cm
REF.	REF.	REF.	REF.	REF.
3-Z1-140	3-Z1-180	3-Z1-210	3-Z1-240	3-Z1-300
3-2-22 mm-140	3-3-22 mm-180	3-3-22 mm-210	3-4-22 mm-240	3-5-22 mm-300
3-2-35 mm-140	3-3-35 mm-180	3-3-35 mm-210	3-4-35 mm-240	3-5-5 mm-300
3-2-L1-140	3-3-L1-180	3-3-L1-210	3-4-L1-240	3-5-L1-300
3-2-L2-140	3-3-L2-180	3-3-L2-210	3-4-L2-240	3-5-L2-300
3-2-L3P-140	3-3-L3P-180	3-3-L3P-210	3-4-L3P-240	3-5-L3P-300
3-2-L3D-140	3-3-L3D-180	3-3-L3D-210	3-4-L3D-240	3-5-L3D-300
3-2-L3R-140	3-3-L3R-180	3-3-L3R-210	3-4-L3R-240	3-5-L3R-300
3-2-L4-140	3-3-L4-180	3-3-L4-210	3-4-L4-240	3-5-L4-300
3-2-L6B-140	3-3-L6B-180	3-3-L6B-210	3-4-L6B-240	3-5-L6B-300
3-2-L6T-140	3-3-L6T-180	3-3-L6T-210	3-4-L6T-240	3-5-L6T-300



*sensor is activated by hi-vis vests

OPTIONS

LEGS



Tubular legs for the Sanilav 3 (B5). Serves to support the washing trough if fixed to the wall.

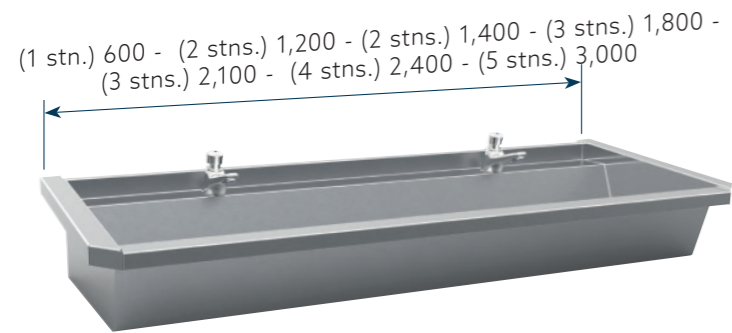
OPTIONS

SOAP DISPENSERS

- The soap dispensers are mounted between the taps



TYPE + QUANTITY	REF.
one soap pump	SMB1
two soap pumps	SMB2
three soap pumps	SMB3
four soap pumps	SMB4



SANILAV 5

• = Sanilav 3 without splashback

ORDER REFERENCE COMPOSITIONS: P.34

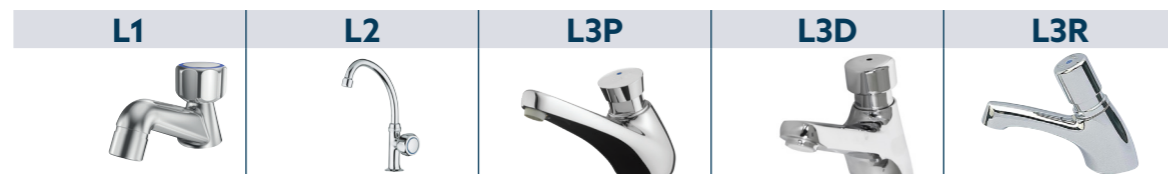
OPTIONS: P. 38



NEED A CUSTOMISED WASHING TROUGH? CONTACT US

TAP	VERSION / DESCRIPTION OF TAP Piping system, universal fitting left or right (stop plug included), also in through-flow (NL) (L, R or D)	1 STN. / 60 cm	2 STNS. / 120 cm
		REF.	REF.
Z1	without taps, without tap holes	5-Z1-60	5-Z1-120
22 mm	with 22 mm tap holes	5-1-22 mm-60	5-2-22 mm-120
35 mm	with 35 mm tap holes	5-1-35 mm-60	5-2-35 mm-120
L1	with one pipe and bib tap	5-1-L1-60	5-2-L1-120
L2	with 1 pipe and high-neck tap	5-1-L2-60	5-2-L2-120
L3P	with one pipe and PRESTO self-closing tap	5-1-L3P-60	5-2-L3P-120
L3D	with one pipe and Delabie self-closing tap	5-1-L3D-60	5-2-L3D-120
L3R	with one pipe and River self-closing tap	5-1-L3R-60	5-2-L3R-120
L4	with two pipes and a single lever mixer tap	5-1-L4-60	5-2-L4-120
L6B	with one pipe and an electronic tap on batteries	5-1-L6B-60	5-2-L6B-120
L6T	with one pipe and an electronic tap L6T (220V)	5-1-L6T-60	5-2-L6T-120

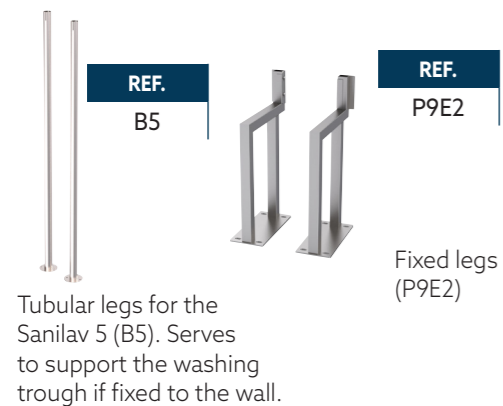
2 STNS. / 140 cm	3 STNS. / 180 cm	3 STNS. / 210 cm	4 STNS. / 240 cm	5 STNS. / 300 cm
REF.	REF.	REF.	REF.	REF.
5-Z1-140	5-Z1-180	5-Z1-210	5-Z1-240	5-Z1-300
5-2-22 mm-140	5-3-22 mm-180	5-3-22 mm-210	5-4-22 mm-240	5-4-22 mm-300
5-2-35 mm-140	5-3-35 mm-180	5-3-35 mm-210	5-4-35 mm-240	5-4-35 mm-300
5-2-L1-140	5-3-L1-180	5-3-L1-210	5-4-L1-240	5-5-L1-300
5-2-L2-140	5-3-L2-180	5-3-L2-210	5-4-L2-210	5-5-L2-300
5-2-L3P-140	5-3-L3P-180	5-3-L3P-210	5-4-L3P-240	5-5-L3P-300
5-2-L3D-140	5-3-L3D-180	5-3-L3D-210	5-4-L3D-240	5-5-L3D-300
5-2-L3R-140	5-3-L3R-180	5-3-L3R-210	5-4-L3R-240	5-5-L3R-300
5-2-L4-140	5-3-L4-180	5-3-L4-210	5-4-L4-240	5-5-L4-300
5-2-L6B-140	5-3-L6B-180	5-3-L6B-210	5-4-L6B-240	5-5-L6B-300
5-2-L6T-140	5-3-L6T-180	5-3-L6T-210	5-4-L6T-240	5-5-L6T-300



*sensor is activated by hi-vis vests

OPTIONS

LEGS



BACK, LOW MODEL



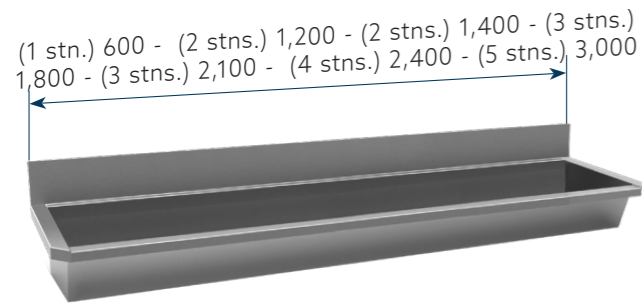
OPTIONS

SOAP DISPENSERS

The soap dispensers are mounted between the taps



TYPE + QUANTITY
one soap pump
two soap pumps
three soap pumps
four soap pumps



SANILAV 6

- For installations with taps on the wall
- The separate splashback behind the horizontal tap surface protects the wall from splashes

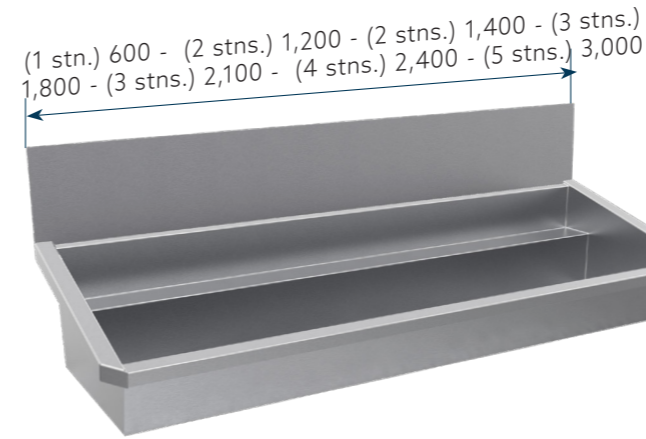
TAP	VERSION
-----	---------

Z1 | without taps, without tap holes

L: 60 cm	L: 120 cm
----------	-----------

REF.	REF.
6-Z1-60	6-2-Z1

L: 140 cm	L: 180 cm	L: 210 cm	L: 240 cm	L: 300 cm
REF.	REF.	REF.	REF.	REF.
6-Z1-140	6-Z1-180	6-Z1-210	6-Z1-240	6-Z1-300



SANILAV 7E2

- Welded seamlessly on the inside of the washing trough
- Thickness: side 1.5 mm; trough 1 mm
- Brushed

TAP	VERSION
-----	---------

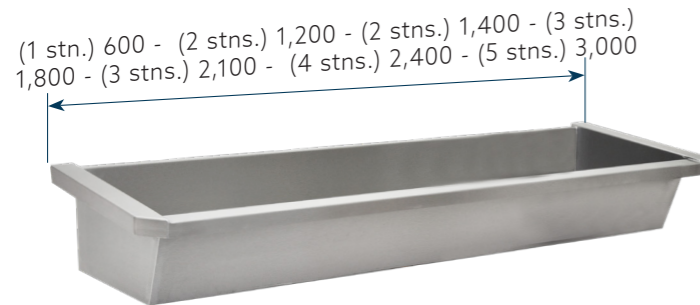
Z1 | without taps, without tap holes

60 cm	120 cm
-------	--------

REF.	REF.
7E2-Z1-60	7E2-Z1-120

140 cm	180 cm	210 cm	240 cm	300 cm
REF.	REF.	REF.	REF.	REF.
7E2-Z1-140	7E2-Z1-180	7E2-Z1-210	7E2-Z1-240	7E2-Z1-300

ORDER REFERENCE COMPOSITIONS: P.34



SANILAV 8

- = Sanilav 6 without splashback

TAP	VERSION
-----	---------

Z1 | without taps, without tap holes

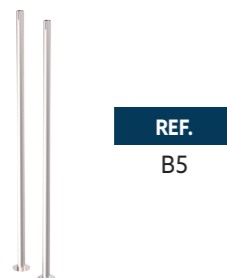
60 cm	120 cm
-------	--------

REF.	REF.
8-Z1-60	8-Z1-120

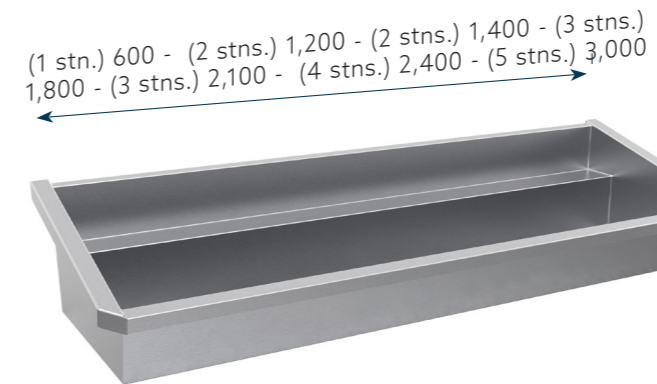
140 cm	180 cm	210 cm	240 cm	300 cm
REF.	REF.	REF.	REF.	REF.
8-Z1-140	8-Z1-180	8-Z1-210	8-Z1-240	8-Z1-300

OPTIONS

LEGS



Tubular legs for the Sanilav 5 (B5). Serves to support the washing trough if fixed to the wall.



SANILAV 9E2

- = Sanilav 7E2 without splashback

TAP	VERSION
-----	---------

Z1 | without taps, without tap holes

60 cm	120 cm
-------	--------

REF.	REF.
9E2-Z1-60	9E2-Z1-120

140 cm	180 cm	210 cm	240 cm	300 cm
REF.	REF.	REF.	REF.	REF.
9E2-Z1-140	9E2-Z1-180	9E2-Z1-210	9E2-Z1-240	9E2-Z1-300

OPTIONS

FIXED LEGS



Fixed legs for Sanilav 9E2 (P9E2)

BACK, LOW MODEL



Low back for free-standing and washing trough rear covering with pipes

REF.
R9-60
R9-120
R9-140
R9-180
R9-210
R9-240
R9-300

ORDER REFERENCE



NEED A CUSTOMISED WASHING TROUGH?



1. STANDARD ORDER REFERENCE

- | | |
|--|-------------------------|
| 1. Model | e.g.: Sanilav 1 |
| 2. Number of taps | 1- 2 - 3 - 4 - 5 |
| 3. Type of tap (see tap ref.) | e.g.: M3D, M3DS, etc. |
| Order reference: | 1-2-M3DS-120 |
| If you choose stainless steel 316, the order reference is: | |
| | 316-1-2-M3DS-120 |

2. CUSTOMISATION REFERENCE*

- | |
|----------------------------------|
| 1. Model |
| 2. Desired amount of taps |
| 3. Type of tap |
| 4. Desired length in cm |
| 5. Desired distance between taps |
| Example of customised order: |

1-2-M3DS-110-50
If you choose stainless steel 316, the order reference is: **316-2-M3DS-110-50**

Price = higher standard size + 15%

* Production tolerance ± 2 mm. All dimensions are outside dimensions. Customisation is not taken back

3. ADDITION OF OPTIONS, SEE PAGES 38-39

Complete one of the above references with the reference of your option

Example of standard order reference with option wall cabinet and washing trough in blue:

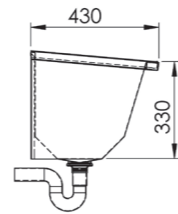
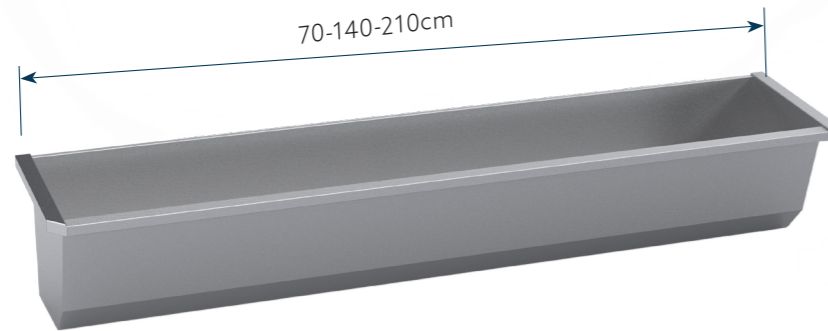
1-2-M3DS-120-A1-2-B

Example of customisation reference with option wall cabinet and washing trough in blue:

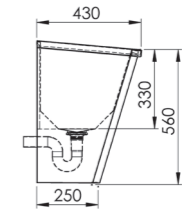
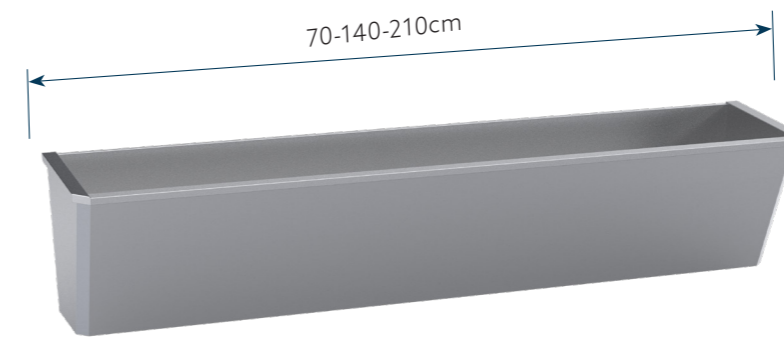
1-2-M3DS-97-50-A1-2-B

NEW DOCTOR'S WASH TROUGH

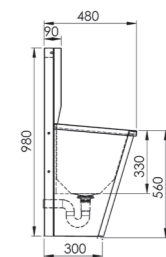
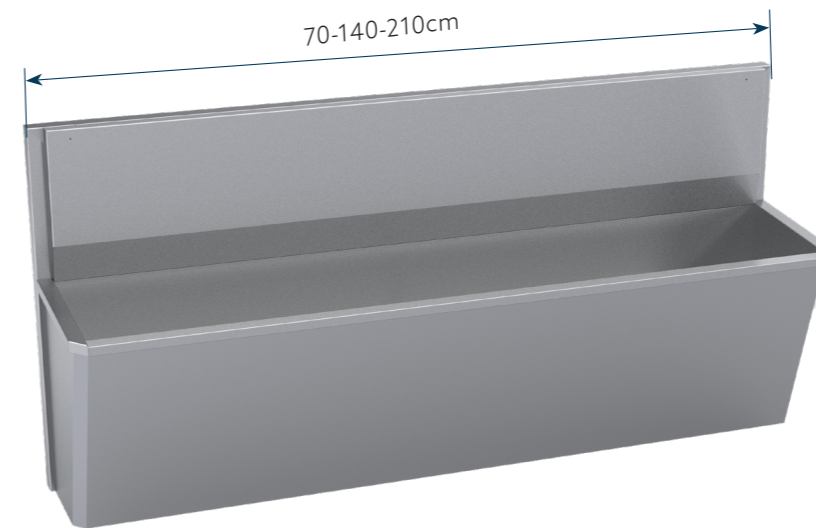
- Possibility to mount your own tap and soap system
- Easy to install
- Easy access to drain & tap components



REF.	OMSCHRIJVING
DW-70	DOCTOR'S WASH TROUGH, 70CM
DW-140	DOCTOR'S WASH TROUGH, 140CM
DW-210	DOCTOR'S WASH TROUGH, 210CM



REF.	OMSCHRIJVING
DWD-70	DOCTOR'S WASH TROUGH, DOUBLE-WALLED, 70CM
DWD-140	DOCTOR'S WASH TROUGH, DOUBLE-WALLED, 140CM
DWD-210	DOCTOR'S WASH TROUGH, DOUBLE-WALLED, 210CM



REF.	OMSCHRIJVING
DWK-70	DOCTOR'S WASH TROUGH WITH TAP MODULE, 70CM
DWK-140	DOCTOR'S WASH TROUGH WITH TAP MODULE, 140CM
DWK-210	DOCTOR'S WASH TROUGH WITH TAP MODULE, 210CM

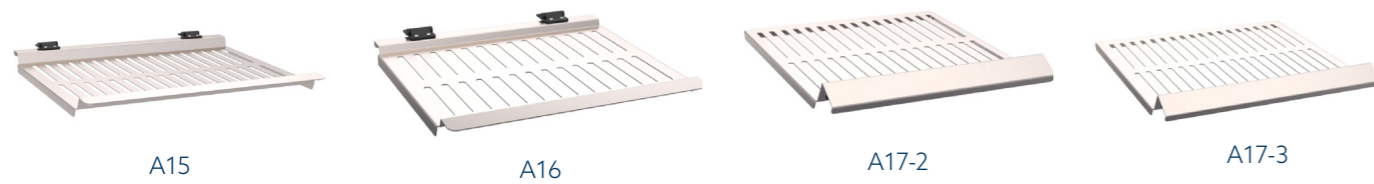


OPTIONS

DRAIN RACKS

REF.

- A15 (Sanilav 5 / 3)
- A16 (Sanilav 7 / 9)
- A17-2 (Sanilav 1-2)
- A17-3 (Sanilav 1-3)

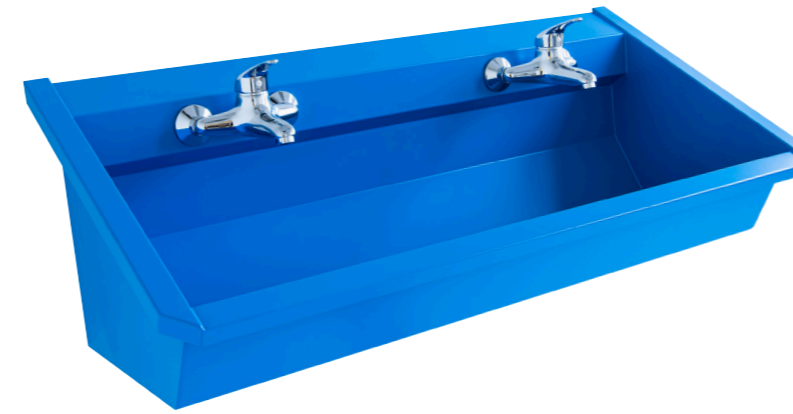


A15

A16

A17-2

A17-3



COLOUR OPTIONS

For wash troughs between 60 and 180 cm
Available in the following lacquer colours:

COLOUR	CODE
white RAL 9003	W
grey RAL 7037	G
yellow RAL 1023	J
orange RAL 2000	O
green RAL 6024	V
red RAL 3020	R
blue RAL 5010	B
black RAL 9005	Z



HOW TO MAINTAIN?



MAINTENANCE KIT

• Contents: cleaning cloth, rust remover and conditioning cloth

REF.

- OKK: 100 ml
- OKG: 250 ml



Sanilav wash trough in black lacquer

Discover our vandal-resistant changing, toilet and shower spaces.

We offer durable and vandal-resistant solutions for changing, toilet and shower spaces. These are available in chipboard or HPL and come in a wide selection of colours. This way, they fit perfectly with your project.

Strong and safe construction

- Back-wall mounting: For extra stability, our compartments are always mounted against a back wall.
- Safe doors: Doors open outward as standard for optimal safety. Choose between left- or right-hinged versions.

Flexible solutions for wet cells

Want to add your own shower? Our Thermotub shower cabins are the ideal choice:

- Self-supporting and robust: Suitable for intensive use.
- Easy installation: Fast and efficient placement within our HPL shower compartments.

Standard and custom options

Do you have specific requirements? Feel free to contact us for a custom project.

CONTENTS

DRY CABINS - FOR CHANGING ROOMS & TOILETS

MELAMINE-FACED CHIPBOARD	44-45
CDF (Decorative MDF)	46-49
HPL (High Pressure Laminate)	50-51

WET CABINS - FOR SHOWERS

HPL (High Pressure Laminate)	50-51
THERMOTUB shower cabin in aluminium	52-53

URINAL SCREENS

WALL-MOUNTED PARTITIONS	54
FLOOR-MOUNTED PARTITIONS	54
CHILDREN'S TOILET PARTITIONS	54

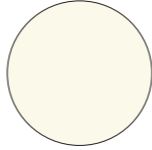


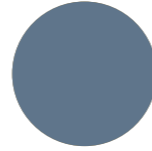



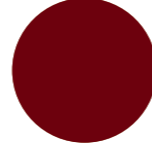







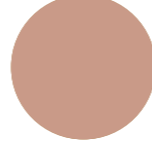

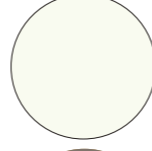







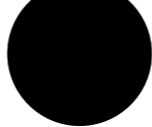
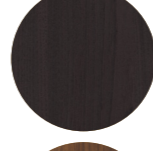



Delivery time: 6 weeks

MELAMINE-FACED CHIPBOARD

- Dimensions: W 900 x D 1270 mm
- The panels are finished with a top layer in melamine
- The panels are standard white, but also available in various colours, see page 41
- All visible metal parts are in stainless steel
- The floor supports are height-adjustable to ensure the installation can be placed perfectly level
- Back-wall mounting is always required
- Doors open outward (= safety)
- Choice to be indicated for left-hinged (LD) or right-hinged doors (RD) (part of the reference)

The chipboard partition walls are not water-resistant and must not be cleaned using high pressure or a water jet. If this is required, please refer to pages 50-51 for our dry cabins in HPL.

COLOUR	REF.	COLOUR	REF.	COLOUR	REF.
	White S0601-Y WHI		Silver Sage S5502-G50Y ARG		Halifax gold HAG
	Smoke blue S5020-R90B SBL	DECOR			Halifax oak brown HOB
	Taupe S2502-Y20R TAU		Riverside oak ROA		
	Marron red S5040-R MAR		Carni walnut natur CWN		
	Kashmir S2005-Y60R KAS		Thermo oak black TOB		
	White beach S1502-Y20R WHB		Soft oak greige SOG		
	Grey S2002-G50Y GRE		Grey concrete GRC		
	Soft coral S3020-Y70R SOC		Royal oak vanilla ROV		
	Premium white matt S0502-G PWM		Rila oak RIO		
	Basalt S5005-Y50R BAS		Desert ash DEA		
	Cosmos grey S8500-N COG		Castello oak CAO		
	Sage green S5010-G30Y SAG		Minnesota oak chocolate MOC		
	Soft black matt S9000-N SBM		Charcoal asche CAS		
			Walnut afterglow WAG		

DECORATIVE COMPACT MDF (CDF)

NEW



- For use in humid indoor spaces
- Durable, high-quality & budget-friendly alternative to HPL
- Produced from 100% reclaimed wood









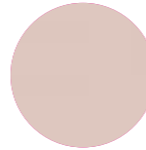














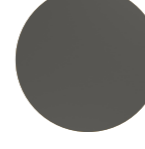
- Dimensions: W 900 x D 1270 mm - thickness: 13 mm
- Decorative compact MDF with an extremely durable melamine finish
- The panels are standard white but also available in various colours, see page 49.
- With black core
- All visible metal parts are in stainless steel
- The floor supports are height-adjustable to ensure the installation can be placed perfectly level
- Back-wall mounting is always required
- Doors open outward (= safety)
- Choice to be indicated for left-hinged (LD) or right-hinged doors (RD) (part of the reference)



● Green shadow



 Mushroom beige
 Lychee

COLOUR	REF.	COLOUR	REF.	COLOUR	REF.
	FRW		QRZ		EGR
COLOUR				DECOR	
	ELB		RBR		CFW
	SLC		CGN		PCL
	LCH		IGR		LWB
	SGR		SVB		VOK
	SBR		GSH		ROB
	CGR		MUB		AOK
	SSH		CIG		EON
	CRE		TGR		

WET CUBICLES - FOR TOILETS, SHOWERS & CHANGING ROOMS

HPL

High Pressure Laminate



- Dimensions: W 920 x D 1800 mm
- The panels are in standard white (RAL 9003), various colours possible, see page 71
- All visible metal parts are of stainless steel
- The floor supports are height adjustable to enable you to place the installation perfectly level
- With doors opening outwards (for safety)
- Choice to indicate left or right opening doors (part of reference)
- With bench in cubicle

The partition walls are suitable for the installation of shower cubicles as they are resistant to water and may be cleaned by means of high pressure or a water jet. They can also be used as partition panels in toilet areas and changing cubicles.

- Possibility to combine with an own shower or our Thermotub shower cubicle by simply sliding it in.

COLOUR	REF.	COLOUR	REF.
	White S0601-Y WHI		Taupe S2502-Y20R TAU
	Onyx grey S6500-N ONG		Kashmir S2005-Y60R KAS
	Premium white matt S0502-G PWM		White beach S1502-Y20R WHB
	Cosmos grey S8500-N COG		Grey S2002-G50Y GRE
	Soft black matt S9000-N SBM		DECOR Carini walnut natur CWN
	Sage green S5010-G30Y SAG		

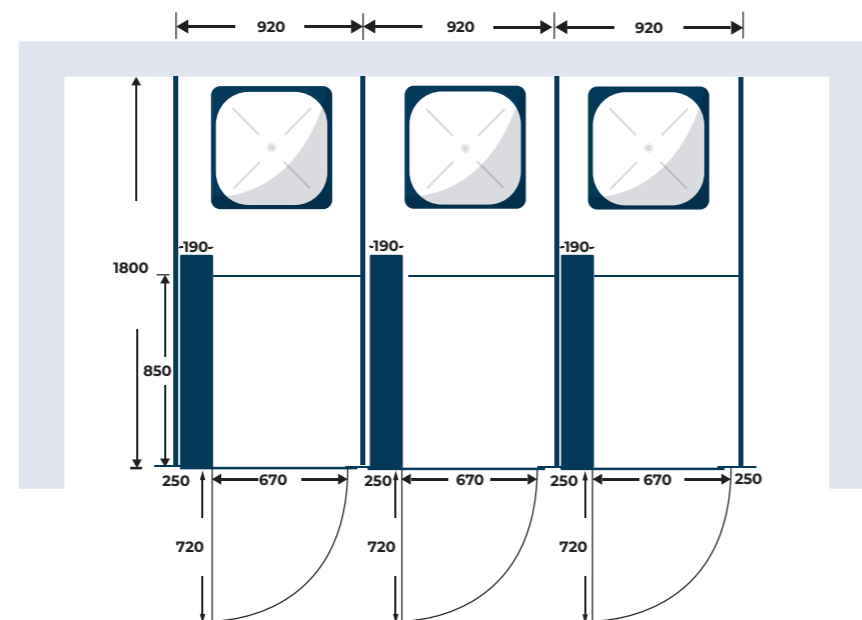




PLUG & PLAY SHOWER CUBICLE

- No alterations needed (drain and syphon integrated in the pedestal)
- A shower can be installed in the place of a washbasin
- Made entirely of aluminium and finished with white epoxy coating RAL 9010
- Plastic decorative curtain (SA11) or artificial glass doors (diamond SA15)
- Soap dish as standard
- Choice of various shower fittings
- Supplied as a construction kit to ensure quick assembly
- Dimensions: W 900 x D 800 mm

Would you also like to use our Thermotub shower cubicle in a wet cell (solid core)?



CHOICE OF SHOWER FITTINGS



Type 35:
Double lever mixer tap with hand shower and slide bar



Type 12
Single lever mixer tap with hand shower and slide bar



Type 23
Thermostatic tap with hand shower and slide bar.



Type 27
Vandal-resistant, self-closing tap

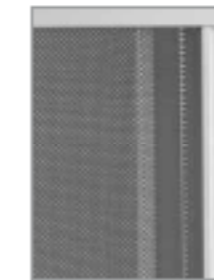
Types 35, 12 and 23: Taps with ceramic seals, luxury 3-spray anti-limestone hand shower. Including: two 1/2" connection hoses, length 180 cm and drain hose.

Type 27: Special version intended for public spaces - vandal-resistant. Fixed shower head. Including one 1/2" connection hose, length 180 cm and drain hose.

CHOICE OF SHOWER ENCLOSURE



SA11
Curtain

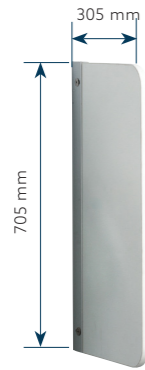


SA15
Diamond plastic glass

REFERENCE	DESCRIPTION	Double lever mixer tap with hand shower and slide bar Type 35	Single lever mixer tap with hand shower and slide bar Type 12	Thermostatic tap with hand shower and slide bar Type 23	Vandal-resistant self-closing tap with fixed shower head Type 27
SA11-...	with curtain	SA11-35	SA11-12	SA11-23	SA11-27
SA15-...	doors "diamond"	SA15-35	SA15-12	SA15-23	SA15-27

URINAL SCREENS

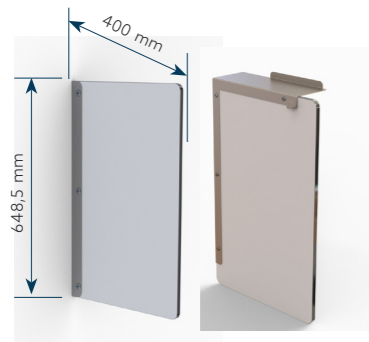
WALL-MOUNTED PARTITION



- Wood fibreboard with laminate finish, edged with impact-resistant PVC trim
- Wall-mounted using a stainless steel profile running the full length of the panel

REF.

BC900W



- White HPL panel, wall-mounted with a lacquered stainless steel bracket, with the option of a hanging hook on the left and a support surface on the right
- Other colours available on request

REF.

BC1000

FLOOR-MOUNTED PARTITION

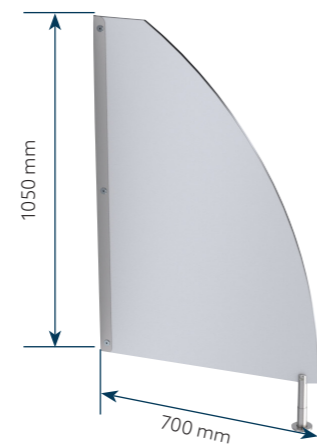


- HPL panel
- Provides discreet and vandal-resistant screening

REF.

TSG

CHILDREN'S TOILET PARTITION



- HPL panel
- Provides discreet screening

REF.

TSK

WOULD YOU LIKE MORE INFORMATION?
CONTACT US

SANISPRAY®

Ergonomic hand-wash fountains in stainless steel and white synthetic marble



NEED A CUSTOM HAND-WASH FOUNTAIN? CONTACT US

Our Sanispray hand-wash fountains are the ideal solution for making optimal use of an open space. They are placed centrally in the room and provide a hand-washing system for a group of people at the same time.

A Sanispray hand-wash fountain is the best choice because the soap and paper dispensers can be integrated. This prevents soap or water from spilling onto the floor.

The taps on the Sanispray wash fountains are carefully positioned at the right height and distance from the edge, so users can wash their hands in a comfortable position.

CONTENT

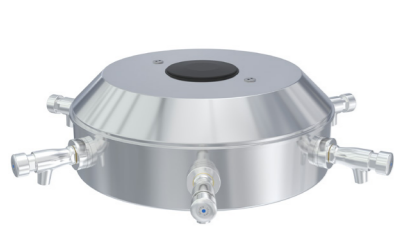
FEATURES	58-59
SANISPRAY STANDARD	60-63
M2	60
M3P	60
M3D	61
M3R	61
M3DS	62
M5	62
ISN	63
M9	63
SANISPRAY WHEELCHAIR USERS	64-65
M2	64
M3P	64
M3D	64
M3R	65
M3DS	65
M9	65
SANISPRAY FOR KIDS	66-67
M2	66
M3DS	66
M9	67
FUN DESIGNS	68-69
SOAP SYSTEMS	70-71
OPTIONS	72-73



Delivery time: 2 weeks

FEATURES

WATER AND SOAP DISPENSER HEAD



- Ø 43 cm
- round
- 4, 6 or 8 taps
- 2, 3 or 4 soaps

• Optimal ergonomics for both adults and children

THREE BOWL DIAMETERS: 99, 113 & 137CM

- White synthetic marble bowls: more luxurious communal sanitary installations
- Possibility of coloured structures and heads: creative options

BOWL TOP EDGE HEIGHTS

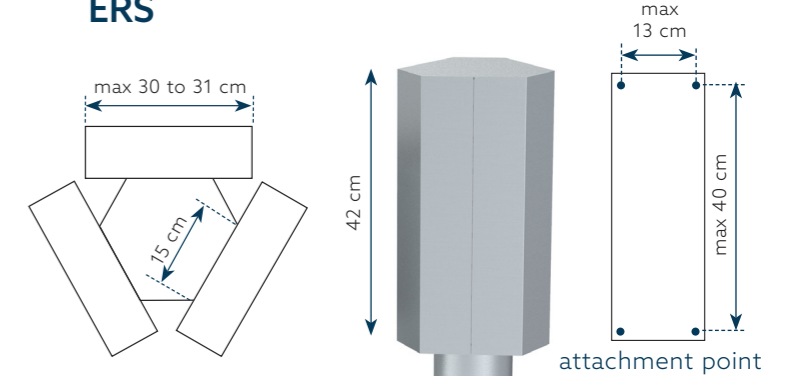
- Standard: ± 85 cm, raised: ± 95 cm
- Wheelchair users: ± 83 cm (always with white synthetic marble bowl, 113 cm)
- Children:
 - 3 years: ± 50 cm
 - 4 years: ± 60 cm
 - 5 years: ± 65 cm

POSSIBILITY OF COLOURED STRUCTURES AND HEADS: CREATIVE POSSIBILITIES

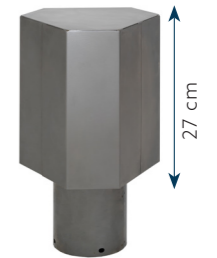
FUN DESIGNS: PAGE 68



HOLDER FOR THREE PAPER DISPENSERS



DS42



DS40

SANISPRAY STANDARD

M2 CERAMIC TAP



- Preset flow rate 12 L/min. (at 3 bar)

Ø	TAPS	REFERENCE HEIGHT = 85 cm	REFERENCE HEIGHT = 95 cm
99 cm	4	M2 - 99 - 4 - 85	M2 - 99 - 4 - 95
99 cm	6	M2 - 99 - 6 - 85	M2 - 99 - 6 - 95
113 cm	6	M2 - 113 - 6 - 85	M2 - 113 - 6 - 95
113 cm	8	M2 - 113 - 8 - 85	M2 - 113 - 8 - 95
137 cm	8	M2 - 137 - 8 - 85	M2 - 137 - 8 - 95

M3D DELABIE SELF-CLOSING TAP



- Running time 7 seconds
- Preset flow rate 3 L/min. (at 3 bar),
- Flow control between 1.4 and 6 L/min.

Ø	TAPS	REFERENCE HEIGHT = 85 cm	REFERENCE HEIGHT = 95 cm
99 cm	4	M3D - 99 - 4 - 85	M3D - 99 - 4 - 95
99 cm	6	M3D - 99 - 6 - 85	M3D - 99 - 6 - 95
113 cm	6	M3D - 113 - 6 - 85	M3D - 113 - 6 - 95
113 cm	8	M3D - 113 - 8 - 85	M3D - 113 - 8 - 95
137 cm	8	M3D - 137 - 8 - 85	M3D - 137 - 8 - 95

M3P PRESTO SELF-CLOSING TAP



- Running time 15 seconds (± 5 seconds depending on the water pressure)
- Preset flow rate 3 L/min. (at 3 bar)

Ø	TAPS	REFERENCE HEIGHT = 85 cm	REFERENCE HEIGHT = 95 cm
99 cm	4	M3P - 99 - 4 - 85	M3P - 99 - 4 - 95
99 cm	6	M3P - 99 - 6 - 85	M3P - 99 - 6 - 95
113 cm	6	M3P - 113 - 6 - 85	M3P - 113 - 6 - 95
113 cm	8	M3P - 113 - 8 - 85	M3P - 113 - 8 - 95
137 cm	8	M3P - 137 - 8 - 85	M3P - 137 - 8 - 95



M3R RIVER SELF-CLOSING TAP



- Running time adjustable between 0 and 30 seconds
- 7 L/min

Ø	TAPS	REFERENCE HEIGHT = 85 cm	REFERENCE HEIGHT = 95 cm
99 cm	4	M3R - 99 - 4 - 85	M3R - 99 - 4 - 95
99 cm	6	M3R - 99 - 6 - 85	M3R - 99 - 6 - 95
113 cm	6	M3R - 113 - 6 - 85	M3R - 113 - 6 - 95
113 cm	8	M3R - 113 - 8 - 85	M3R - 113 - 8 - 95
137 cm	8	M3R - 137 - 8 - 85	M3R - 137 - 8 - 95

M3DS

DELABIE SELF-CLOSING TAP
soft touch



- Soft touch suitable for children and wheelchair users
- Running time 7 seconds
- Preset flow rate 3 L/min. (at 3 bar)
- Flow control between 1.5 and 6 L/min.

Ø	TAPS	REFERENCE HEIGHT = 85 cm	REFERENCE HEIGHT = 95 cm
113 cm	6	M3DS - 113 - 6 - 85	M3DS - 113 - 6 - 95
113 cm	8	M3DS - 113 - 8 - 85	M3DS - 113 - 8 - 95
137 cm	8	M3DS - 137 - 8 - 85	M3DS - 137 - 8 - 95



OPTIONS: P. 72

M5

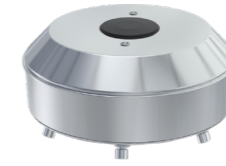
CENTRE HOLE
MIXER TAP



Ø	TAPS	REFERENCE HEIGHT = 85 cm	REFERENCE HEIGHT = 95 cm
99 cm	4	M5 - 99 - 4 - 85	M5 - 99 - 4 - 95
99 cm	6	M5 - 99 - 6 - 85	M5 - 99 - 6 - 95
113 cm	6	M5 - 113 - 6 - 85	M5 - 113 - 6 - 95
113 cm	8	M5 - 113 - 8 - 85	M5 - 113 - 8 - 95
137 cm	8	M5 - 137 - 8 - 85	M5 - 137 - 8 - 95

ISN

ELECTRONIC SPRAY
SPOUTS



- Battery-powered (B)
- Flow rate: 6 l/min at 3 bar
- Run time: for as long as detection is active, with a maximum of 90 seconds
- Recommendation: dirt filter available on request

Ø	TAPS	REFERENCE HEIGHT = 85 cm	REFERENCE HEIGHT = 95 cm
99 cm	4	ISNB - 99 - 4 - 85	ISNB - 99 - 4 - 95
99 cm	6	ISNB - 99 - 6 - 85	ISNB - 99 - 6 - 95
113 cm	6	ISNB - 113 - 6 - 85	ISNB - 113 - 6 - 95
113 cm	8	ISNB - 113 - 8 - 85	ISNB - 113 - 8 - 95
137 cm	8	ISNB - 137 - 8 - 85	ISNB - 137 - 8 - 95

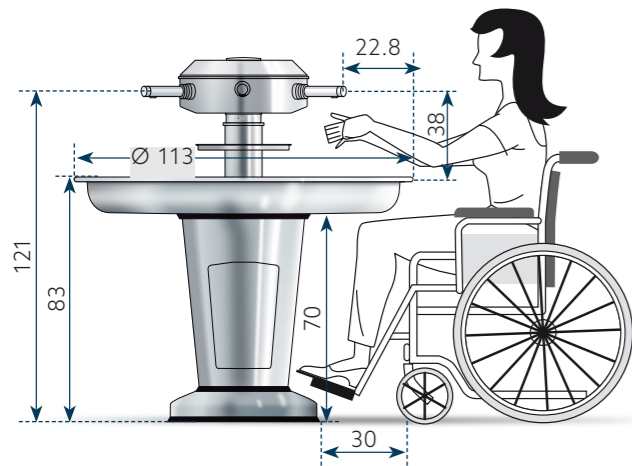
M9

ELECTRONIC TAP



- Battery-powered (B) or mains-powered (T)
- Flow rate: 6 l/min at 3 bar
- Run time: for as long as detection is active, with a maximum of 90 seconds
- Legionella flushing can be activated via remote control
- Recommendation: dirt filter available on request

Ø	TAPS	REFERENCE HEIGHT = 85 cm	REFERENCE HEIGHT = 95 cm
99 cm	4	M9B - 99 - 4 - 85	M9B - 99 - 4 - 95
99 cm	6	M9B - 99 - 6 - 85	M9B - 99 - 6 - 95
113 cm	6	M9B - 113 - 6 - 85	M9B - 113 - 6 - 95
113 cm	8	M9B - 113 - 8 - 85	M9B - 113 - 8 - 95
137 cm	8	M9B - 137 - 8 - 85	M9B - 137 - 8 - 95
99 cm	4	M9T - 99 - 4 - 85	M9T - 99 - 4 - 95
99 cm	6	M9T - 99 - 6 - 85	M9T - 99 - 6 - 95
113 cm	6	M9T - 113 - 6 - 85	M9T - 113 - 6 - 95
113 cm	8	M9T - 113 - 8 - 85	M9T - 113 - 8 - 95
137 cm	8	M9T - 137 - 8 - 85	M9T - 137 - 8 - 95



In sanitary facilities, **at least one washbasin per group of washbasins must be accessible to wheelchair users**, as well as various amenities such as a mirror, soap dispenser, hand dryer, clothes hooks and towel racks. These amenities or parts of the furniture must be able to be used by someone **in a standing or sitting position**. For this purpose, their **height must be between 90 cm and 1.30 m above the floor**.

In order to meet the **standards for wheelchair users**, a space of **70 cm is required under the washbasin, a width of 60 cm** (between the legs of washbasin furniture, if any), and the washbasin edge should be at a max. height of 85 cm (i.e. the height of the washbasin itself no more than 15 cm) with a **depth of 30 cm** to have sufficient space for the wheelchair and the legs under the washbasin.

M2 CERAMIC TAP



- Preset flow rate 12 L/min. (at 3 bar)

Ø	TAPS	REFERENCE HEIGHT = 83 cm
113 cm	6	M2 - VC113 - 6 - 83
113 cm	8	M2 - VC113 - 8 - 83

M3P PRESTO SELF-CLOSING TAP



- Running time 15 seconds (± 5 seconds depending on the water pressure)
- Preset flow rate 3 L/min. (at 3 bar)
- Vandal-resistant flow rate setting (4 positions).

Ø	TAPS	REFERENCE HEIGHT = 83 cm
113 cm	6	M3P - VC113 - 6 - 83
113 cm	8	M3P - VC113 - 8 - 83

M3D DELABIE SELF-CLOSING TAP



- Running time 7 seconds
- Preset flow rate 3 L/min. (at 3 bar),
- Flow control between 1.5 and 6 L/min.

Ø	TAPS	REFERENCE HEIGHT = 83 cm
113 cm	6	M3D - VC113 - 6 - 83
113 cm	8	M3D - VC113 - 8 - 83

M3R RIVER SELF-CLOSING TAP



- Running time adjustable between 0 and 30 seconds
- 7 L/min

Ø	TAPS	REFERENCE HEIGHT = 83 cm	PRICE
113 cm	6	M3R - VC113 - 6 - 83	€ 7,007
113 cm	8	M3R - VC113 - 8 - 83	€ 7,201

M3DS DELABIE SELF-CLOSING TAP soft touch



- Soft touch suitable for children and wheelchair users
- Running time 7 seconds
- Preset flow rate 3 L/min. (at 3 bar)
- Flow control between 1.5 and 6 L/min.

Ø	TAPS	REFERENCE HEIGHT = 83 cm	PRICE
113 cm	6	M3DS - VC113 - 6 - 83	€ 7,202
113 cm	8	M3DS - VC113 - 8 - 83	€ 7,462

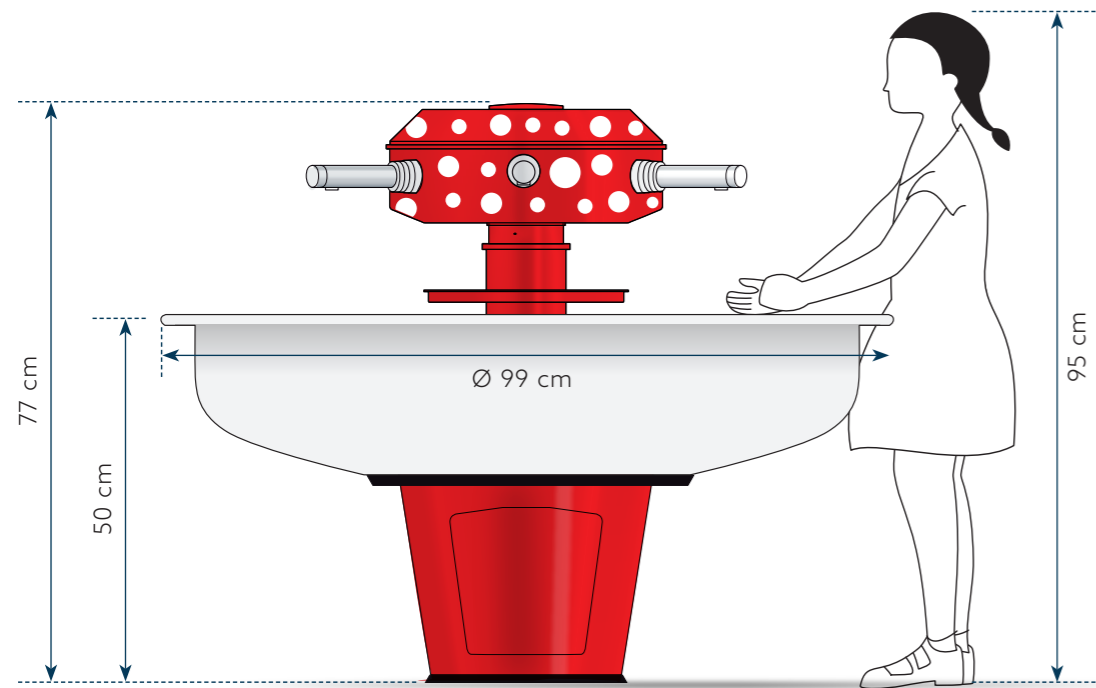
M9 ELEKTRONIC TAP



- Battery-powered (B) or mains-powered (T)
- Flow rate: 6 l/min at 3 bar
- Run time: for as long as detection is active, with a maximum of 90 seconds
- Legionella flushing can be activated via remote control
- Recommendation: dirt filter available on request

Ø	TAPS	REFERENCE HEIGHT = 83 cm
113 cm	6	M9B - VC113 - 6 - 83
113 cm	8	M9B - VC113 - 8 - 83
113 cm	6	M9T - VC113 - 6 - 83
113 cm	8	M9T - VC113 - 8 - 83

SANISPRAY FOR CHILDREN



AGE CHILD	SIZE CHILD	HEIGHT BOWL
3 years	± 96 cm	50 cm
4 years	± 104 cm	60 cm
5 years	± 110 cm	65 cm

M2 CERAMIC TAP



• Preset flow rate 12 L/min. (at 3 bar)

Ø	TAPS	REFERENCE HEIGHT = 50 cm	REFERENCE HEIGHT = 60 cm	REFERENCE HEIGHT = 65 cm
99 cm	6	M2 - 99 - 6 - 50	M2 - 99 - 6 - 60	M2 - 99 - 6 - 65
99 cm	8	M2 - 99 - 8 - 50	M2 - 99 - 8 - 60	M2 - 99 - 8 - 65

M3DS DELABIE SELF-CLOSING TAP



• Flow rate: 3 L/min. at 3 bar, adjustable between 1.4 and 6 L/min.
• Running time: 7 seconds

Ø	TAPS	REFERENCE HEIGHT = 50 cm	REFERENCE HEIGHT = 60 cm	REFERENCE HEIGHT = 65 cm
99 cm	6	M3DS - 99 - 6 - 50	M3DS - 99 - 6 - 60	M3DS - 99 - 6 - 65
99 cm	8	M3DS - 99 - 8 - 50	M3DS - 99 - 8 - 60	M3DS - 99 - 8 - 65

OPTIONS: PAGE 72

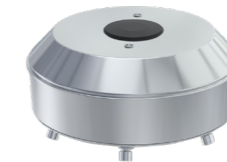
M9 ELEKTRONIC TAP



- Battery-powered (B) or mains-powered (T)
- Flow rate: 6 l/min at 3 bar
- Run time: for as long as detection is active, with a maximum of 90 seconds
- Legionella flushing can be activated via remote control
- Recommendation: dirt filter available on request

Ø	TAPS	REFERENCE HEIGHT = 50 cm	REFERENCE HEIGHT = 60 cm	REFERENCE HEIGHT = 65 cm
99 cm	6	M9B - 99 - 6 - 50	M9B - 99 - 6 - 60	M9B - 99 - 6 - 65
99 cm	8	M9B - 99 - 8 - 50	M9B - 99 - 8 - 60	M9B - 99 - 8 - 65
99 cm	6	M9T - 99 - 6 - 50	M9T - 99 - 6 - 60	M9T - 99 - 6 - 65
99 cm	8	M9T - 99 - 8 - 50	M9T - 99 - 8 - 60	M9T - 99 - 8 - 65

ISN ELEKTRONISCHE SPROEIBEKJES



- Battery-powered (B)
- Flow rate: 6 l/min at 3 bar
- Run time: for as long as detection is active, with a maximum of 90 seconds
- Recommendation: dirt filter available on request

Ø	TAPS	REFERENCE HEIGHT = 50 cm	REFERENCE HEIGHT = 60 cm	REFERENCE HEIGHT = 65 cm
99 cm	6	ISNB - 99 - 6 - 50	ISNB - 99 - 6 - 60	ISNB - 99 - 6 - 65
99 cm	8	ISNB - 99 - 8 - 50	ISNB - 99 - 8 - 60	ISNB - 99 - 8 - 65

OPTIONS: FUN VERSIONS



MUSHROOM

REF.	ADDITIONAL PRICE
C	€ 1,807



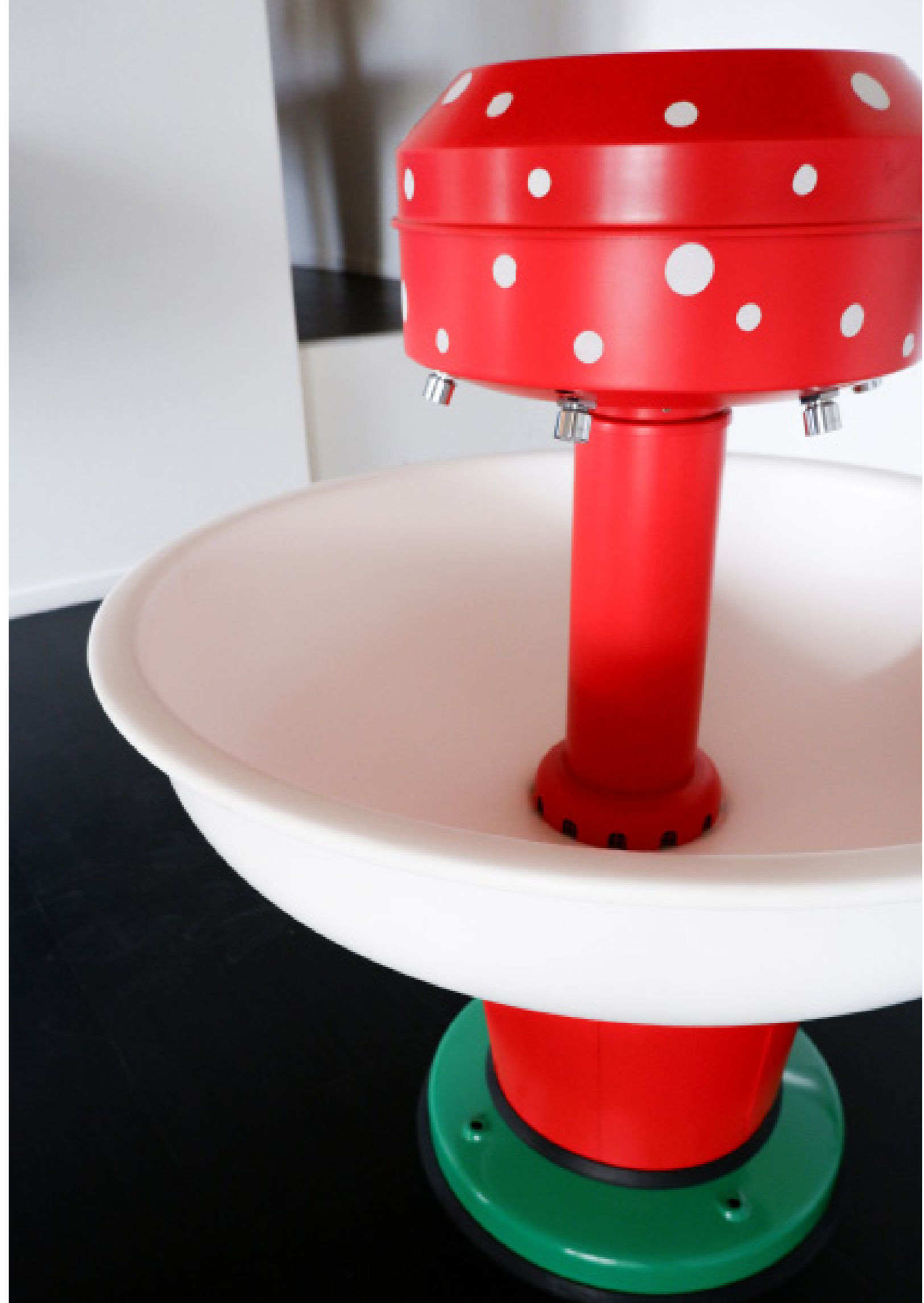
DINO

REF.	ADDITIONAL PRICE
D	€ 1,807



STAR

REF.	ADDITIONAL PRICE
E	€ 1,807



SOAP SYSTEMS

To be used with Intersan soap or your own soap with the same viscosity

1) Soap dispensers integrated into the water distribution head

REFILLABLE BOTTLE (6 LITRES) IN THE BASE

(*6-litre bottle not possible in children's version of 50 and 60cm)

For the SERE, SMRE and SMR soap systems, a refill system is integrated into the dispenser head, allowing the soap reservoir to be refilled using a filling funnel.

SERE:

Electronic soap dispensers with refill system and level indicator (green/orange/red LED).
Mains-powered only.

REFERENCE	# TAPS	# SOAP
SERE2	4	2
SERE3	6	3
SERE4	8	4



SMRE:

Mechanical soap dispensers with refill system and level indicator (green/orange/red LED).
Mains-powered only.

REFERENCE	# TAPS	# SOAP
SMRE2	4	2
SMRE3	6	3
SMRE4	8	4



SMR:

Mechanical soap dispensers with refill system

REFERENCE	# TAPS	# SOAP
SMR2	4	2
SMR3	6	3
SMR4	8	4

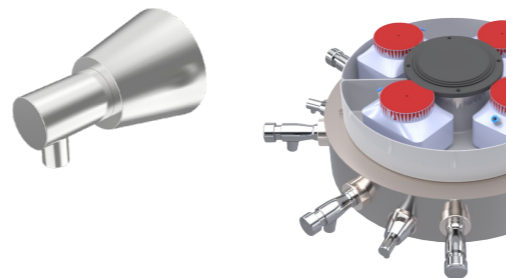


REFILLABLE SOAP BOTTLES (500ML) IN THE WATER DISTRIBUTION HEAD

SM*:

Mechanical soap dispensers with refillable soap bottles (500 ml) in the dispenser head.

REFERENCE	# TAPS	# SOAP
SM2	4	2
SM3	6	3
SM4	8	4



*Cannot be combined with stainless steel column for dispensers

2) Mounted on the water distribution head

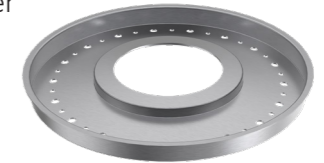
SP

Soap dispenser in stainless steel with 4 mechanical soap dispensers and 4 refillable soap bottles



DS42 OR DS40

Stainless steel holder for mounting a paper dispenser or soap dispenser



ST: SOAP OR NAIL BRUSH HOLDER

THE SOAPS

1.SOAP BOTTLES

- The three Intersan soap types are pure, without unnecessary thickening agents: only a small amount of soap is needed for optimal lathering.
- The soaps have the right viscosity (fluidity): no clogging of the soap system.
- During prolonged periods of inactivity, flushing the soap lines is essential.



ROSE NOURISHING HAND SOAP

- Skin-friendly universal hand soap for public washrooms, schools, sports & recreation, light industry, etc.
- Warm fruity scent
- Gentle cleansing

1 box
12x750ml

HL-F



HEAVY DUTY HAND SOAP

- Skin-friendly deep-cleansing hand soap for heavy industry, garages, workshops, etc.
- Refreshing fragrance

1 box
12x750ml

HDL-F

2. SOAP BAGS



GREEN ANTISEPTIC SOAP

- Skin-friendly disinfecting hand soap
- Suitable for agri-food industry, hospitality, laboratories, medical practices, etc.
- Subtle neutral scent, unscented
- Only available in bags for existing Sanisprays.

1 box
12 x 0,8 L

AL-ED



COLOUR COMBINATIONS

- Five possible combinations:
 - stainless steel structure, bowl and head
 - stainless steel structure and head, white composite bowl
 - stainless steel structure, white composite bowl and white head
 - coloured structure and head, stainless steel bowl
 - coloured structure and head, white composite bowl

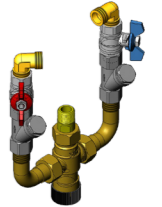
COLOUR	COLOUR CODE
white	W RAL 9003
grey	G RAL 7037
yellow	J RAL 1023
orange	O RAL 2000
green	V RAL 6024
red	R RAL 3020
blue	B RAL 5010
black	Z RAL 9005



OPTIONS

THERMOSTAT

- TH (pre-assembled) not usable with
 - M5
 - low base 50 and 60 cm
 - soap canister in the base
 - power socket in the base



STAINLESS STEEL (INOX) HOUSING FOR CEILING WATER SUPPLY

- CA2 (up to 2 m above the Sanispray head)
- CA3 (up to 3 m above the Sanispray head)



MAINTENANCE KIT

- Contents: rust remover and conditioning cloth



REF.

- OKK: 100 ml
- OKG: 250 ml

HOW TO MAINTAIN?



SANSET®

VANDAL-RESISTANT STAINLESS STEEL SANITARY WARE

The Sanset product range from Intersan furnishes communal buildings with robust and hygienic stainless steel solutions.

Robust

These sanitary appliances were specially designed for intensive use in various sectors.

The stainless steel design ensures it can withstand heavy loads, is resistant to wear and scratches, and withstands chemical products.

Hygienic

Stainless steel resists the development of bacteria. The shiny, hard and smooth stainless steel surface prevents bacteria from adhering quickly. So, this development doesn't establish itself as much as it does on other materials.

Full range

The variety within the Sanset range allows for a solution to be offered for every situation in public buildings. There are also models designed for installation with a technical space, suitable for locations like prisons that require an indestructible setup.

You are always welcome to contact us to design a customised project with you.

CONTENTS

WASHBASIN	76
SINK	77
DRINKING FOUNTAIN	78
SLOP SINK	79
SAND TRAP	80
PLASTER TRAP	80
BABY BATH	82
TOILET	82
URINAL	82
URINAL SCREENS	83
COLLECTIVE URINAL	84
PARTITIONS FOR COLLECTIVE URINAL	85



Delivery time: 6 weeks

WASHBASIN



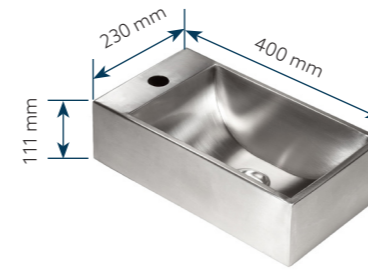
- Wall model
- Drain connection (not incl.): Ø 45 mm
- LAV1M: with tap hole Ø 35 mm
- Finish: satin gloss

REF.
LAV1
LAV1M



- Wall model
- Including perforated drain grid
- LAV5M: with tap hole Ø 35 mm
- Finish: satin gloss

REF.
LAV5
LAV5M



- Stainless steel 304 washbasin for small spaces
- Can be placed on a cabinet or wall-mounted using mounting brackets
- Pressed from a single piece
- Supplied with drain, without overflow

REF.	CENTRAL TAP HOLE Ø 35 mm
1080672	yes
1080673	no



- Stainless steel 304 washbasin for public spaces
- With or without central tap hole
- Supplied with overflow

REF.*	CENTRAL TAP HOLE Ø 35 mm
1080352	yes
1080353	no



- Wall model
- Drain connection (not incl.): Ø 45 mm
- LAV2M: with tap hole Ø 35 mm
- Finish: satin gloss

REF.
LAV2
LAV2M



- Wall model
- Including perforated drain grid
- LAV8M: with tap hole Ø 35 mm
- Finish: satin gloss

REF.
LAV8
LAV8M



- Stainless steel 304 washbasin with sleek design and integrated bracket
- With overflow
- With or without tap hole

REF.	TAP HOLE ON THE RIGHT Ø 35 mm
1080473	no
1080476	yes



- With knee control
- With overflow, syphon and tap
- Including drain grid, drain plug, screw
- Finish: satin gloss

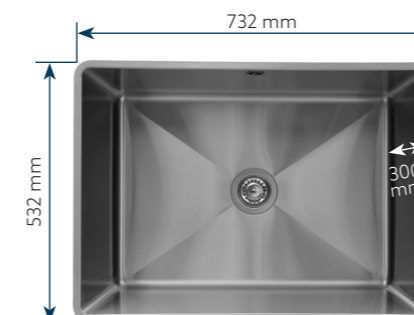
REF.
LAV6



- With foot control
- With overflow, syphon and tap
- Including drain grid, drain plug, screw
- Finish: satin gloss

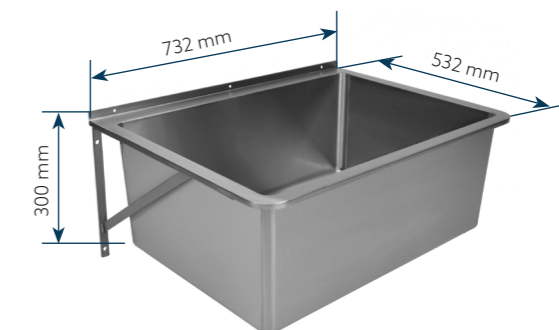
REF.
LAV7

SINK



- Stainless steel industrial sink for insert or inlay mounting

REF.*	OVERFLOW
1085708	no
1085709	yes



- Stainless steel industrial sink for wall mounting
- Supplied incl. mounting bracket and fixing materials

REF.*	OVERFLOW
1085710	no
1085711	yes

DRINKING FOUNTAIN



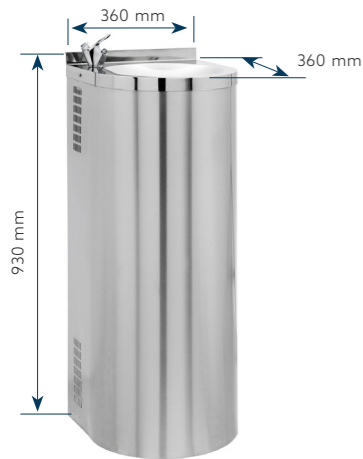
- Wall model
- Including water bubbler
- Highly polished bowl; brushed skirt
- Including drain grid, drain plug, screw

REF.
FOUNTAIN1



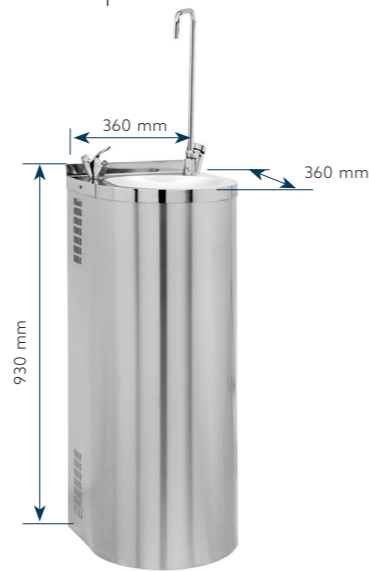
- Wall model
- Including water bubbler and bottle filler
- Highly polished bowl; brushed skirt
- Including drain grid, drain plug, screw and syphon

REF.
FOUNTAIN2



- Standing model
- Including water bubbler
- Highly polished bowl; brushed skirt
- Including drain grid, drain plug, screw and syphon

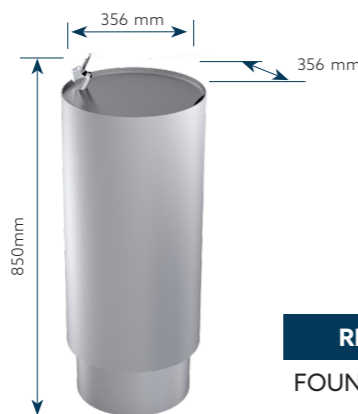
REF.
FOUNTAIN3



- Standing model
- Including water bubbler and bottle filler
- Highly polished bowl; brushed skirt
- Including drain grid, drain plug, screw and syphon

REF.
FOUNTAIN4

NEW



REF.
FOUNTAIN6

BUCKET SINK



- Stainless steel 304
- Splash guard, foldable bucket and drain grid 1½"

REF.
1080401



- Stainless steel 304
- Splash guard, demountable bucket and drain grid 1½"

REF.
1080402



- Stainless steel 304
- Wash trough with ribbed front plate
- Supplied with plastic mounting brackets and materials

REF.*
1080468



- Stainless steel 304
- Wash trough with ribbed front plate
- Supplied with plastic mounting brackets and materials

REF.*	TAP HOLE
1085535	no
1085696	yes



- Stainless steel 304
- Wash trough with ribbed front plate
- For wall mounting
- Supplied with plastic mounting brackets and materials

REF.*	TAP HOLE
1085536	no
1085697	yes, on the right

ARE YOU LOOKING FOR MORE POSSIBILITIES? CONTACT US

SEPARATOR

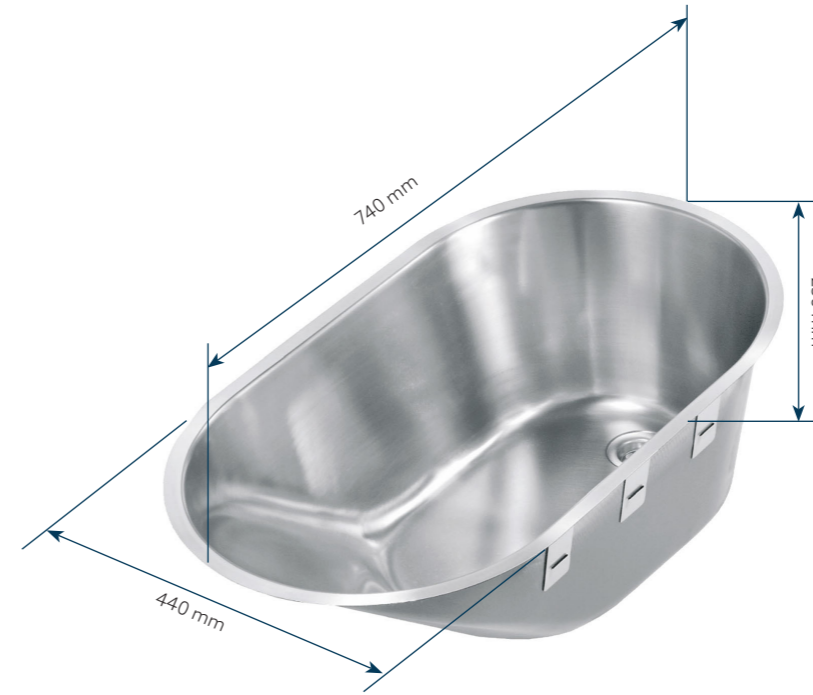


- Stainless steel 304
- Capacity 3.5 L
- Ideal for filtering sand from water
- Supplied with a flexible outlet for straight or curved installation options
- No syphon needed

REF.

1080148

BABY BATH



- Flat inset assembly
- 6 mounting clips
- Without wall overflow, with plug and chain

REF.

1085180

PRICE

€ 729

**ARE YOU LOOKING FOR
MORE POSSIBILITIES?
CONTACT US**

PLASTER SEPARATOR



- Stainless steel 304
- 1½" drain connection
- Ideal for filtering plaster, small and other heavy substances from wastewater
- No syphon needed

REF.

1080010

TOILET

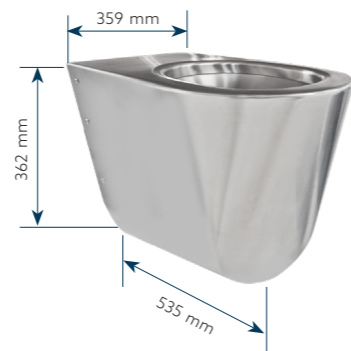


- Conical standing model
- Supply horizontal Ø 56 mm
- Drain H/P Ø 100 mm
- Mounting with the aid of a 3 mm thick screw-off stainless steel back plate
- WC1M: with seat mounting holes

REF.

WC1

WC1M



- Conical wall model
- Supply horizontal Ø 56 mm
- Drain H/P Ø 100 mm
- Mounting with the aid of a 3 mm thick screw-off stainless steel back plate
- WC2M: with seat mounting holes

REF.

WC2

WC2M

URINAL PARTITIONS



- Stainless steel panel with wall mounting concealed in the panel

REF.

Wing

OPTION



BLACK SEAT

REF.

SEAT2

URINAL



- Skirt: Stainless steel 304 - 1.5 mm
- Rectangular wall model
- Including drain grid + drain plug + screw + syphon (P-syphon 1½", 40 mm)
- Front mounting, four screws included (inspection hatch)
- Pre-assembled spray nozzle
- UR2V: supply ½" vertical (at the top)
- UR2H: supply ½" horizontal (at the back)

REF.

UR2V

UR2H

WOULD YOU LIKE MORE INFORMATION?
CONTACT US

COMMUNAL URINAL

ELECTRONIC FLUSHING SYSTEM



- Urinal, electronic on mains power
- 220 V power supply (T), including transformer, or on battery (B)

REF.	SIZE (mm)
URC2-M9T	1200
URC3-M9T	1800
URC4-M9T	2400
URC5-M9T	3000

REF.	SIZE (mm)
URC2-M9B	1200
URC3-M9B	1800
URC4-M9B	2400
URC5-M9B	3000

SELF-CLOSING FLUSHING SYSTEM



- Urinal with self-closing flushing system

REF.	SIZE (mm)
URC2-M3	1200
URC3-M3	1800
URC4-M3	2400
URC5-M3	3000

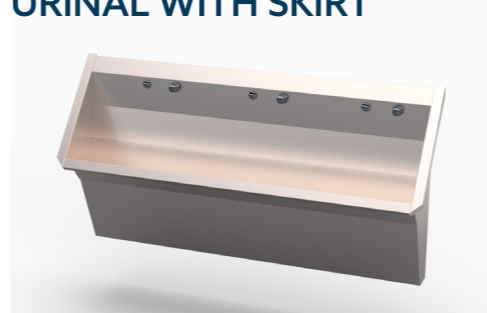
OPTION

LEGS



REF.
PUR

URINAL WITH SKIRT



PARTITIONS FOR COMMUNAL URINAL



- Made of stainless steel
- Is installed between the different urinals, thus creating a separation and providing more privacy

REF.
TSU



WOULD YOU LIKE MORE
INFORMATION?
CONTACT US

SANKIT®

STAINLESS STEEL PRODUCTS FOR FURNISHING KITCHENS, BARS & HOSPITALITY IN GENERAL

Discover the extensive Sankit range, a product line from Intersan specifically designed for kitchens, bars, and catering, with a focus on high-quality stainless steel products.

Our range includes work tables, workstation sinks, worktop cupboards, wall cabinets and chef's shelves, made of durable stainless steel 430. These are also available in stainless steel 304 on request. We offer the following standard sizes: 1400 mm, 1600 mm and 2000 mm, but each product is fully available in various sizes and arrangements.

We aim for perfection and offer the possibility of customisation down to the centimetre.

Feel free to contact us to discuss and realise your custom project.

CONTENTS

WORK TABLES	106
WORKSTATION SINKS	107
WORKTOP CUPBOARDS	108
WALL CABINETS	109
WALL SHELVES	110
CHEF'S SHELVES	111



Delivery time: 6 weeks

WORK TABLES

- Stainless steel 430
- Worktop without undershelf
- With or without upstands
- Depth 600 mm or 700 mm
- Length 1400 mm, 1600 mm or 2000 mm
- Height 900 mm
- Top 0.8 mm thick, turndown 40 mm, overhang 15 mm, reinforcement tube 25 x 25 on the sides + at the rear, square tubular 40 mm legs connected by stainless steel profile (legs adjustable up to 65 mm)



REF.	DIMENSIONS L x W x H mm
WT6-14	1400 x 600 x 900
WT6-16	1600 x 600 x 900
WT6-20	2000 x 600 x 900
WT7-14	1400 x 700 x 900
WT7-16	1600 x 700 x 900
WT7-20	2000 x 700 x 900

- With upstand 100 x 20 mm



REF.	DIMENSIONS L x W x H mm
WTB6-14	1400 x 600 x 900
WTB6-16	1600 x 600 x 900
WTB6-20	2000 x 600 x 900
WTB7-14	1400 x 700 x 900
WTB7-16	1600 x 700 x 900
WTB7-20	2000 x 600 x 900

Also available in the following versions

- High finish
- Stainless steel 304
- Height 500 mm, 600 mm, 700 mm or 850 mm
- Depth 500 mm, 600 mm or 700 mm
- Length 500 mm – 2900 mm



**NEED A CUSTOMISED TABLE?
CONTACT US!**

WORKSTATION SINKS

- Stainless steel 430
- One or two sinks optionally left or right
- Workstation sink with underframe with or without undershelf
- Drainer left or right
- The worktop is welded onto the legs on the inside of the surround
- The stainless steel legs (40 x 40 mm) are 65 mm height adjustable (850 - 915 mm high)



Installation cost management = plug-in

- Ready for use
- Fully mounted and delivered in protective packaging
- No mechanical connections
- No stability loss risk



- With underframe without undershelf
- Two sinks on the left (2L) or on the right (2R) 400 x 500 x 250 mm
- Drainer right (VR) or left (VL)

REF.	DIMENSIONS L x W x H mm	DRAINER
SP7-14-2L-VR	1400 x 700 x 900	right
SP7-14-2R-VL	1400 x 700 x 900	left
SP7-16-2L-VR	1600 x 700 x 900	right
SP7-16-2R-VL	1600 x 700 x 900	left
SP7-20-2L-VR	2000 x 700 x 900	right
SP7-20-2R-VL	2000 x 700 x 900	left



- With underframe and undershelf
- Two sinks on the left (2L) or on the right (2R) 400 x 500 x 250 mm
- Drainer right (VR) or left (VL)

REF.	DIMENSIONS L x W x H mm	DRAINER
SPO7-14-2L-VR	1400 x 700 x 900	right
SPO7-14-2R-VL	1400 x 700 x 900	right
SPO7-16-2L-VR	1600 x 700 x 900	right
SPO7-16-2R-VL	1600 x 700 x 900	left
SPO7-20-2L-VR	2000 x 700 x 900	right
SPO7-20-2R-VL	2000 x 700 x 900	right

Also available in the following versions

- High finish
- Stainless steel 304
- Height 850 mm
- Depth 600 mm
- Length 600 mm – 2400 mm

- On cupboard with one or two sinks, with sliding doors or folding doors
- With underframe without undershelf with recess for dishwasher, with one or two sinks
- With underframe and undershelf with recess for dishwasher, with one or two sinks
- On cupboard with recess for dishwasher, with one or two sinks, with sliding doors

WORKTOP CUPBOARDS

- Stainless steel 430
- Worktop cupboard with double-walled sliding doors with profiled handles over the entire height
- Depth 600 mm or 700 mm
- Length 1400 mm, 1600 mm or 2000 mm
- Stainless steel top, 1.5 mm thick, with turndown 400 mm and overhang 15 mm, raised edge of 100 x 20, reinforced with a white 18 mm laminated sheet. Turndown of 40 mm, return of 15 mm and reinforced by three stainless steel omegas over the entire length.
- Round adjustable stainless steel legs attached to the undershelf.



REF.	DIMENSIONS L x D x H mm
TK6-14	1400 x 600 x 900
TK6-16	1600 x 600 x 900
TK6-20	2000 x 600 x 900
TK7-14	1400 x 700 x 900
TK7-16	1600 x 700 x 900
TK7-20	2000 x 700 x 900

Also available in the following versions

- Stainless steel 304
- Height 850 mm
- Depth 700 mm or 800 mm
- Length 1000 mm – 2900 mm
- Worktop cupboard with upstand
- Worktop cupboard with hinged doors
- Option with utility sinks = chef's worktop cupboard

WALL CABINETS

- Stainless steel 430
- Wall cabinet with double-walled sliding doors with profiled handles over the entire height
- Supplied with three stainless steel shelf brackets 1.5 mm thick at the back.



REF.	DIMENSIONS L x D x H mm
MK4-14	1400 x 400 x 600
MK4-16	1600 x 400 x 600
MK4-20	2000 x 400 x 600

Also available in the following versions

- Stainless steel 304
- Height 400 mm, 500 mm, 700 mm or 800 mm
- Depth 300 mm, 500 mm or 600 mm
- Length 500 mm – 2900 mm
- Wall cabinets with hinged doors
- Open wall cabinets



**NEED A CUSTOMISED
CABINET? CONTACT US**

WALL SHELVES

- Stainless steel 430
- Length 1400 mm, 1600 mm or 2000 mm
- One level
- Shelf with three compressed turndowns of 40 mm downwards and compressed upstand of 35 mm.
- Adjustable stainless steel supports, 1.5 mm thick with wall brackets
- Depth 300 mm



REF.	DIMENSIONS L x W x H mm	ADJUSTABLE SUPPORS AND BRACKETS
MR3-14	1400 x 300	2
MR3-16	1600 x 300	2
MR3-20	2000 x 300	3

Also available in the following versions

- Stainless steel 304
- High finish
- Depth 250 mm, 350 mm, 400 mm, 450 mm or 500 mm
- Length 400 mm – 2900 mm
- Flat wall shelf with 2 or 3 levels
- Open wall shelf with 1 or 2 levels
- Standard shelf with 3, 4 or 5 levels

CHEF'S SHELVES

- Stainless steel 430
- Length 1400 mm, 1600 mm or 2000 mm
- Chef's shelf with 2 levels
- Reinforced with omega, tube 25 x 25 mm
- Supplied with PVC mounting system
- Depth 300 mm



REF.	DIMENSIONS L x W x H mm
CE3-14	1400 x 300 x 700
CE3-16	1600 x 300 x 700
CE3-20	2000 x 300 x 700

Also available in the following versions

- Stainless steel 304
- High finish
- Depth 250 mm, 350 mm, 400 mm, 450 mm or 500 mm
- Length 400 mm – 2900 mm
- Chef's shelf, 1 level or 3 levels



**NEED A CUSTOMISED SHELF?
CONTACT US**

SANTRONIC®

WIDE RANGE OF WALL AND WASHBASIN TAPS

The taps that are mounted on our Sanilav washing troughs and Sanispray wash fountains can be ordered separately. We offer both washbasin taps and wall taps as a solution for each type of user in each type of utility.

Intersan taps allow significant water savings, while guaranteeing continued comfort for the user. So, the water saved also contributes to energy savings. Our electronic and self-closing taps provide the highest level of hygiene for the user: the absence of manual contact after rinsing prevents the spread of germs through the hands.

Discover our selection of taps and do not hesitate to contact us to design a customised project with you.

CONTENTS

WALL TAPS	90
WASHBASIN TAPS	91

WALL TAPS



CERAMIC SELF-CLOSING TAP
 • Maximum flow rate: 12 L/min. at 3 bar / 12L

REF.
M2



PRESTO SELF-CLOSING TAP
 • Flow rate: 3 L/min. at , adjustable in 4 positions
 • Running time: 15 seconds

REF.
M3P



RIVER SELF-CLOSING TAP
 • Flow rate: 7 L/min. at 3 bar
 • Running time: 0 – 30 seconds, adjustable by means of Allen key

REF.
M3R



DELABIE SELF-CLOSING TAP
 • Maximum flow rate: 3 L/min. at 3 bar, adjustable between 1.4 and 6 L/min.
 • Running time: 7 seconds

REF.
M3D



DELABIE SOFT-TOUCH SELF-CLOSING TAP
 • Flow rate: 3 L/min. at 3 bar, adjustable between 1.4 and 6 L/min.
 • Running time: 7 seconds

REF.
M3DS



TAP WITH ELBOW CONTROL
 • Flow rate: 12 L/min. at 3 bar
 • Spout length: 151 mm

REF.
M4



CENTRE HOLE MIXER TAP
 • Flow rate: 13.8 L/min. at 3 bar
 • Spout length: 104 mm
 • Check valve on request

REF.
M5



SINGLE LEVER MIXER TAP
 • Flow rate: 22 L/min. at 3 bar
 • Spout length: 155 mm
 • Check valve on request

REF.
M6



SELF-CLOSING MIXER TAP
 • Run time 25 seconds

REF.
M8D

WASHBASIN TAPS



CERAMIC SELF-CLOSING TAP
 • Flow rate: 8 L/min. at 3 bar
 • Spout length: 112 mm

REF.
L1



TAP ½ WITH SWIVEL SPOUT
 • Flow rate: 8 l/min at 3 bar
 • Spout length: 245 mm

REF.
L2



PRESTO SELF-CLOSING TAP
 • Flow rate: 3 L/min. at 3 bar, adjustable in 4 positions
 • Running time: 15 seconds

REF.
L3P



RIVER SELF-CLOSING TAP
 • Running time 20 sec.
 • Running time adjustable: 0 - 30 sec.
 • Flow rate (3 bar): 7 L/min.

REF.
L3R



DELABIE SELF-CLOSING TAP
 • Flow rate: 3 L/min. at 3 bar, adjustable between 1.4 L and 6 L/min.
 • Running time: 7 seconds

REF.
L3D



SINGLE LEVER MIXER TAP
 • Flow rate: 12 L/min. at 3 bar
 • Spout length: 140 mm
 • Check valve on request

REF.
L4



ELECTRONIC TAP
 • L6B: battery powered
 • L6T: mains power supply, transformer incl.
 • Flow rate: 36 L/min. at 3 bar
 • Running time: as long as there is detection with a maximum of 120 seconds

REF.
L6B
L6T



ELECTRONIC TAP
 • LINE5: battery and mains powered, transformer incl.
 • Flow rate: 9 L/min. at 3 bar
 • Running time: as long as there is detection with a maximum of 70 seconds

REF.
LINE5

INTERSAN

Do you have a question about our products or would you like to book a visit for your specific situation? Feel free to contact us.

 Brouwerijstraat 59
9770 Kruisem

 +32 9 333 83 83
 info@intersan.be

Follow us on social media

Would you like to stay informed about our latest activities? Then, certainly follow us on Instagram & LinkedIn.

 [intersan_9770](https://www.instagram.com/intersan_9770)

 <https://www.linkedin.com/company/intersan-nv>