



INTERSAN

INDESTRUCTIBLE COMMUNAL SANITARY WARE



Cataloog 2025

Working together for the best solutions

At Intersan, your needs and requirements come first. Thanks to your feedback and our collaboration, we can continuously improve and adapt our products to provide the perfect solutions for your projects.

We appreciate the trust you place in us. Quality and service are our top priorities, and we strive to build a lasting relationship with you as our valued customer.

Do you have any questions or need tailored advice? Our team is always ready to assist you and will gladly visit you. Together, we create solutions that truly make a difference.

Best regards



*Yves De Permentier
General Manager Intersan NV*

About Intersan

Since 1938, Intersan has been committed to providing future-oriented sanitary solutions for various sectors. With a focus on hygiene, efficiency, and ease of use, we offer high-quality products such as wash troughs, handwashing stations, drinking fountains, and sanitary cabins for toilets and showers.

Thanks to our collaboration with Norm, we can also offer a wide range of high-quality project furniture, including lockers, kitchens, storage cabinets, and bathroom furniture. Our solutions are ideal for various environments, such as schools, businesses, public spaces, and more.

Contact Details

📍 Brouwerijstraat 59
9,770 Kruisem
Belgium

☎ +32 9 333 83 83

✉ info@intersan.be



OUR 9 GUARANTEES



YOUR ORDER
QUICK DELIVERED
FOR A HASSLE-FREE
INSTALLATION



SANITARY SOLUTIONS
SPECIALLY DESIGNED
FOR YOUR PROJECT:
CUSTOMIZATION
AVAILABLE



QUESTIONS OR
ISSUES? **WE'RE HERE**
FOR YOU, EVEN AFTER
YOUR ORDER



SAVE TIME AND
INSTALLATION COSTS,
THANKS TO OUR **PLUG**
& **PLAY** CONCEPT
WITH PRE-ASSEMBLED
PIPES AND FAUCETS



GUARANTEED
BEST QUALITY & EF-
FICIENT PROCESSING
THANKS TO OUR ISO
9,001 CERTIFICATION



TOGETHER, WE STRIVE
FOR
SUSTAINABILITY:
OUR STAINLESS STEEL
IS 100% RECYCLABLE &
WE HAVE A ZERO-
WASTE STATUS.



GUARANTEED
MAXIMUM LIFESPAN:
OUR PRODUCTS HELP
YOU SAVE ON FUTURE
INVESTMENTS



CHOOSE A HEALTHIER
SANITARY
ENVIRONMENT WITH
STAINLESS STEEL
PRODUCTS THAT **ARE**
RESISTANT TO
BACTERIA.



BENEFIT FROM OUR
YEARS OF EXPERIENCE
WE PROVIDE SANITARY
SOLUTIONS THAT
PERFECTLY MATCH
YOUR SPECIFIC NEEDS



OVERVIEW



Legend icons



New product



With flushing system against Legionella



Completely touch-free

The images featured in this catalogue are protected by copyright and can only be used for publication or on a website with our explicit consent. The actual product may vary from the images or colours shown.

All prices are exclusive of VAT. This information is subject to printing errors, changes in the range, price adjustments and items that are no longer in stock.

SANILAV®

COMMUNAL STAINLESS STEEL WASHING TROUGHS

Our Sanilav wash troughs combine hygiene, safety, and functionality, specially designed for collective use.

Customization and Flexibility

At Sanilav, customization is key. Create the perfect solution that seamlessly fits the unique needs of your project. Additionally, our wash troughs can be easily mounted in series, ensuring a consistent and aesthetic appearance.

Meets the Highest Standards

- CE Certification: Sanilav wash troughs fully comply with CE strength requirements.
- HACCP Compliant: By avoiding horizontal surfaces, they provide an optimal hygienic environment, ideal for highly regulated sectors.

Plug and Play

We deliver our wash troughs ready to use, including pre-assembled pipes and faucets. This saves installation time and ensures a smooth commissioning process.

Contact us today to discuss and realize your custom project!

CONTENTS

FEATURES	10
Safety	10
Hygiene	11
Functionality	12-13
THE SOAP SYSTEMS	14-15
SANILAV OVERVIEW	16-17
Sanilav 1	18-19
Sanilav 1S	20-21
Sanilav 1C	22-23
Sanilav 1CS	24-25
Sanilav 3	26-27
Sanilav 5	28-29
Sanilav 6	30
Sanilav 8	30
Sanilav 7E2	31
Sanilav 9E2	31
ORDER REFERENCE	32-33
DOCTOR'S WASH TROUGH	34-35
OPTIONS	36-39



Delivery time: 2 weeks

Safety

CE REQUIREMENTS



Exceeds the CE strength requirements thanks to the thickness of the sheet material and the construction method.

- The standard prescribes $8 \times 25 = 200$ kg load, distributed over the length on a 3 m washing trough.
- A load of 6×50 kg, plus 2×25 kg on the ends = a total of 350 kg on the 3 m washing trough still causes no deformation and therefore no additional support is needed under the Intersan washing troughs.

SOFT TOUCH



- "Soft touch": models (S1, S3 of S5, S6 or S8) with wide folded back lower edges

NO SHARP OUTER CORNERS



- No sharp corners through a combination of shaping and welding techniques: 135° blunt front corners

CHILD FRIENDLY



- Additional protection for children with smooth rubber corner protectors (see options pages 30 - 31)



VANDAL-RESISTANT



- Stainless steel does not break into shards when damaged
- **Four attachment points**, the bottom one of which at the front can be fastened with screws after hanging the washing trough so that it cannot be lifted

Hygiene



INSIDE CORNERS (Sanilav 1)



- **Inside corners greater than 90°**
- Perfectly cleanable and therefore no contamination in the corners

SEAMLESS CONNECTION



- **Seamless connection of the taps on the washing trough**
- No threads and no protruding sealing materials

WELDED ON THE INSIDE



- Welded on the **inside**
- No polluting, corrosive crevices

PIPING SYSTEM WITH UNIVERSAL FITTING



- Piping system, universal fitting left or right (stop plug included), **in accordance with legionella legislation**

PRESSED DRAIN OPENING



- No seal and no screw
- No contamination of the drainage grid

NO DIRT ACCUMULATION (Sanilav 1)



- The Intersan washing trough has no horizontal surfaces and no gaps at the back so that no hidden dirt can accumulate

WATER CHANNELLING



- No **stationary water** thanks to water channelling

PLUG & PLAY CONCEPT



- **Easy and quick installation:**
- back wall and tap ledge included (Sanilav 1)
- mounted pipes and taps, tested for watertightness
- mounted drain connection

Stainless Steel 316

Our washing troughs are also available in **Stainless Steel 316**. For washing troughs that can come into contact with **chlorides** or **other acids**, we advise stainless steel 316. In this material, molybdenum is added to the alloy. This makes it highly resistant to **acids, salts and chlorine**.



NEED A CUSTOMISED
WASHING TROUGH?



FLAT BOTTOM

- Allows a bucket to be placed in the washing trough

SERIES ASSEMBLY

- Thanks to the special suspension system, the washing troughs can be mounted perfectly vertical and horizontal in series

SYPHON CONNECTION

- The syphon connection is fitted on the bottom of the washing trough

OPTIONS

STORAGE CABINET (for options see page 36)

- Shallow lockable storage cabinet with vandal-resistant mirror (for paper and soap storage)
- A vandal-resistant dispenser can be mounted on the cabinet

SOAP DISPENSER

- Integrated vandal-resistant soap dispenser system with central filling system (6 L) with level indicator (for more information, see page 14)

THERMOSTAT AND PRESSURE REGULATOR

- Available and pre-assembled

SOAP AND BRUSH DISH

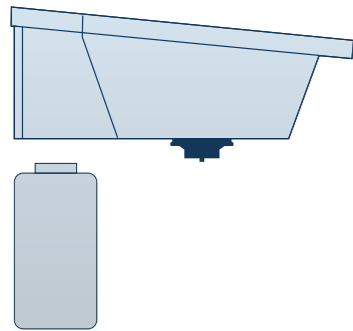
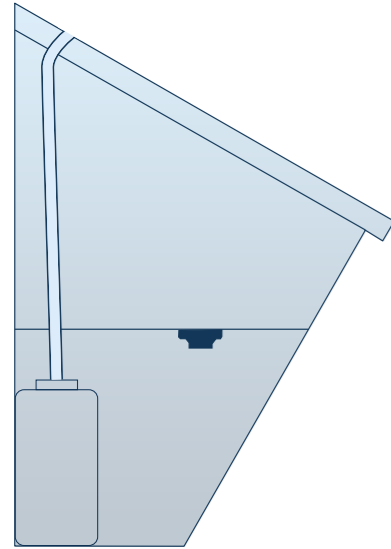
(for more information, see page 15)

PROTECTIVE SKIRT

- Protective skirt mounted under the washing trough. This protects the 6L soap container, the syphon, the pipes and any electronics

THE SOAP SYSTEMS

The choice of the number of soap systems depends on the number of taps. The soap systems are mounted between the taps.



FOR SANILAV 1

SERE

- Mechanical soap dispensers based on a filling system (6-litre container)
- Integrated level indicator
- Only possible in combination with electronic taps, 220V with transformer = M9T + ISNT

SMR

- Mechanical soap dispensers
- Filling system (6-litre container) without level indicator

SOAP FILLING SYSTEM

For the SERE* and SMR soap systems, a filling system is integrated in the washing trough, so that the soap reservoir can be refilled from the top with a filling funnel.

*Refilling the 6-litre central soap reservoir is facilitated thanks to the filling system with **level indicator** (green / orange / red LED)



SOAP AND NAIL BRUSH DISH: A2



FOR SANILAV 3 AND 5

SMB

- Mechanical soap dispensers
- 6-litre container
- Includes wall bracket

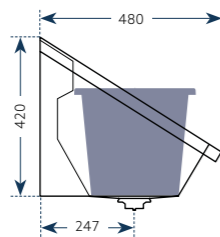


SANILAV OVERVIEW



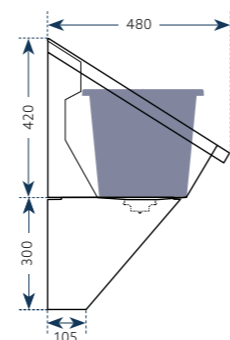
SANILAV 1 (pages 18-19)

- The built-in splashback and tap ledge avoid polluting gaps and horizontal surfaces



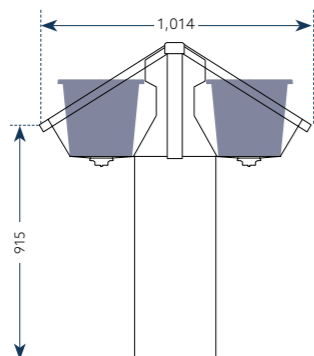
SANILAV 1S (pages 20-21)

- Sanilav 1 with a skirt underneath the washing trough: to protect piping, any electronics, the soap system and thermostat



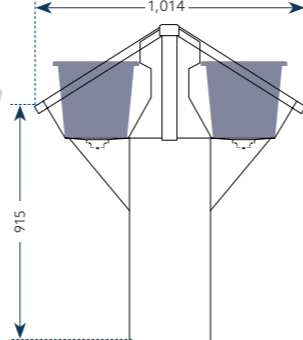
SANILAV 1C (pages 22-23)

- Creates additional washing stations in the middle of a washing room
- The supply and discharge lines can be incorporated into the leg set that is closed with doors



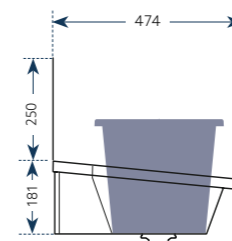
SANILAV 1CS (pages 24-25)

- Sanilav 1C with a skirt underneath the washing trough: to protect piping, any electronics, the soap system and thermostat
- Creates additional washing stations in the middle of a washing room
- The supply and discharge lines can be incorporated into the leg set that is closed with doors



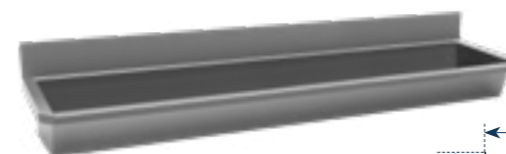
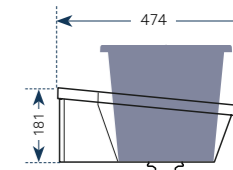
SANILAV 3 (pages 26-27)

- The separate splashback behind the horizontal tap surface protects the wall from splashes
- Functionally and hygienically the best choice in the simplified models segment



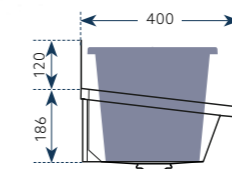
SANILAV 5 (pages 28-29)

- Sanilav 3 without splashback



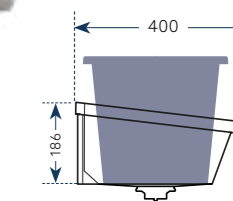
SANILAV 6 (pages 30)

- For installations with taps on the wall
- The separate splashback behind the horizontal tap surface protects the wall from splashes



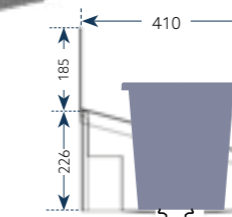
SANILAV 8 (pages 30)

- Sanilav 6 without splashback



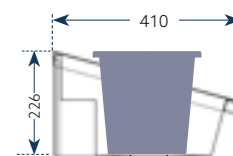
SANILAV 7E2 (pages 31)

- Washing trough with straight corners



SANILAV 9E2 (page 31)

- Sanilav 7E2 without splashback



NEED A STAINLESS STEEL 316 WASHING TROUGH?

OPTIONS FOR S1 MODELS

LEGS

- Height adjustable legs (RP)
- Fixed legs (VP)

Height adjustable legs (VP1)



Fixed legs (P1)



BACK

Low back for free-standing P1 and washing trough rear covering with pipes (R1)
Available backs for Sanilav 1: R1-60 to R1-300



High back for free-standing S1 and washing trough rear covering with pipes and skirt (protection under the washing trough) (HR1)
Available backs for Sanilav 1S: HR1-60 to HR1-300



OPTIONS FOR THE S3/S5, S6/S8, S7E2/S9E2 MODELS

LEGS

Tubular legs for the Sanilav 3, 5, 6 and 8 (B5). Serves to support the washing trough if fixed to the wall.



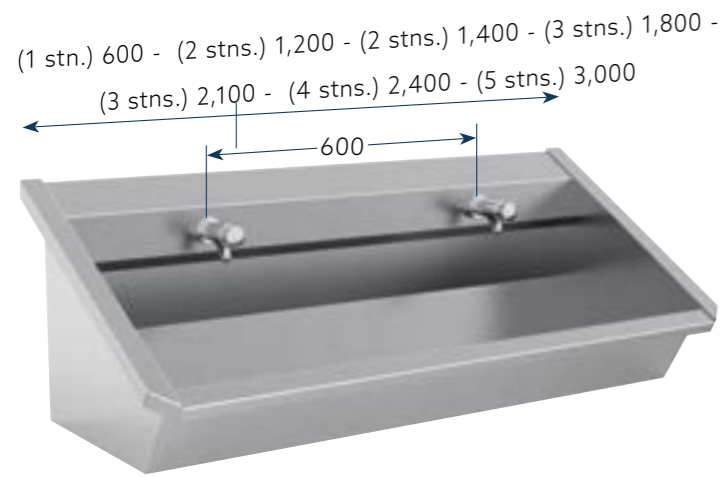
Fixed legs for Sanilav 5, 9E2 (P9)



BACK

Low back for free-standing S5 and S9E2 and washing trough rear covering with pipes
Available backs for Sanilav 5: R5-60 to R5-300
Available backs for Sanilav 9E2: R9-60 to R9-300





SANILAV 1

- The built-in splashback and tap ledge avoid polluting gaps and horizontal surfaces



NEED A CUSTOMISED WASHING TROUGH?

TAP	VERSION / DESCRIPTION OF TAP Piping system, universal fitting left or right (stop plug included), also in through-flow (NL) (L, R or D)	PRICE OF ONE EXTRA TAP	L: 60 cm - 1 tap		L: 120 cm - 2 taps	
			REF.	PRICE	REF.	PRICE
Z2	with one pipe and tap connection, 1/2" F	€ 44	1-1-Z2-60	€ 1,071	1-2-Z2-120	€ 1,128
Z3	with two pipes and two tap connections, 3/4" M, centre to centre distance 150 mm	€ 144	1-1-Z3-60	€ 1,233	1-2-Z3-120	€ 1,298
M2	with one pipe and bib tap	€ 147	1-1-M2-60	€ 1,230	1-2-M2-120	€ 1,295
M3P	with one pipe and PRESTO self-closing tap	€ 195	1-1-M3P-60	€ 1,254	1-2-M3P-120	€ 1,319
M3D	with one pipe and Delabie self-closing tap	€ 195	1-1-M3D-60	€ 1,254	1-2-M3D-120	€ 1,319
M3R	with one pipe and River self-closing tap	€ 195	1-1-M3R-60	€ 1,254	1-2-M3R-120	€ 1,319
M3DS	with one pipe and Delabie soft-touch self-closing tap	€ 214	1-1-M3DS-60	€ 1,299	1-2-M3DS-120	€ 1,367
M4	with one pipe and tap with elbow control	€ 198	1-1-M4-60	€ 1,315	1-2-M4-120	€ 1,384
M5	with two pipes and centre hole mixer tap	€ 236	1-1-M5-60	€ 1,670	1-2-M5-120	€ 1,757
M6	with two pipes and a single lever mixer tap	€ 236	1-1-M6-60	€ 1,670	1-2-M6-120	€ 1,757
M7	with one pipe and knee control	€ 383	1-1-M7-60	€ 1,799	1-2-M7-120	€ 1,894
M8	with two pipes and a self-closing mixer tap	€ 638	1-1-M8-60	€ 2,530	1-2-M8-120	€ 2,664
M9B	with one pipe and an electronic tap on batteries	€ 504	1-1-M9B-60	€ 2,346	1-2-M9B-120	€ 2,470
M9T	with one pipe and electronic tap on mains power, incl. transformer	€ 504	1-1-M9T-60	€ 2,346	1-2-M9T-120	€ 2,469
M13B	with one pipe and an electronic tap on batteries	€ 434	1-1-M13B-60	€ 1,885	1-2-M13B-120	€ 1,984
M13T	with one pipe and electronic tap on mains power, incl. transformer	€ 434	1-1-M13T-60	€ 1,885	1-2-M13T-120	€ 1,984



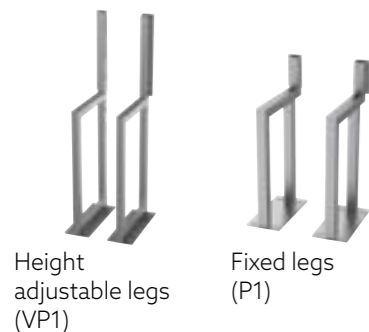
L: 140 cm - 2 taps		L: 180 cm - 3 taps		L: 210 cm - 3 taps		L: 240 cm - 4 taps		L: 300 cm - 5 taps	
REF.	PRICE	REF.	PRICE	REF.	PRICE	REF.	PRICE	REF.	PRICE
1-2-Z2-140	€ 1,238	1-3-Z2-180	€ 1,524	1-3-Z2-210	€ 1,747	1-4-Z2-240	€ 1,969	1-5-Z2-300	€ 2,377
1-2-Z3-140	€ 1,421	1-3-Z3-180	€ 1,747	1-3-Z3-210	€ 1,999	1-4-Z3-240	€ 2,250	1-5-Z3-300	€ 2,787
1-2-M2-140	€ 1,428	1-3-M2-180	€ 1,765	1-3-M2-210	€ 2,035	1-4-M2-240	€ 2,304	1-5-M2-300	€ 2,796
1-2-M3P-140	€ 1,456	1-3-M3P-180	€ 1,803	1-3-M3P-210	€ 2,079	1-4-M3P-240	€ 2,354	1-5-M3P-300	€ 2,858
1-2-M3D-140	€ 1,456	1-3-M3D-180	€ 1,803	1-3-M3D-210	€ 2,079	1-4-M3D-240	€ 2,354	1-5-M3D-300	€ 2,858
1-2-M3R-140	€ 1,456	1-3-M3R-180	€ 1,803	1-3-M3R-210	€ 2,079	1-4-M3R-240	€ 2,354	1-5-M3R-300	€ 2,858
1-2-M3DS-140	€ 1,512	1-3-M3DS-180	€ 1,874	1-3-M3DS-210	€ 2,161	1-4-M3DS-240	€ 2,448	1-5-M3DS-300	€ 2,977
1-2-M4-140	€ 1,514	1-3-M4-180	€ 1,861	1-3-M4-210	€ 2,163	1-4-M4-240	€ 2,464	1-5-M4-300	€ 3,076
1-2-M5-140	€ 1,967	1-3-M5-180	€ 2,458	1-3-M5-210	€ 2,854	1-4-M5-240	€ 3,250	1-5-M5-300	€ 4,024
1-2-M6-140	€ 1,967	1-3-M6-180	€ 2,458	1-3-M6-210	€ 2,854	1-4-M6-240	€ 3,250	1-5-M6-300	€ 4,024
1-2-M7-140	€ 2,069	1-3-M7-180	€ 2,540	1-3-M7-210	€ 2,862	1-4-M7-240	€ 3,186	1-5-M7-300	€ 3,832
1-2-M8-140	€ 2,972	1-3-M8-180	€ 3,704	1-3-M8-210	€ 4,216	1-4-M8-240	€ 4,728	1-5-M8-300	€ 5,757
1-2-M9B-140	€ 2,799	1-3-M9B-180	€ 3,528	1-3-M9B-210	€ 4,120	1-4-M9B-240	€ 4,711	1-5-M9B-300	€ 5,868
1-2-M9T-140	€ 2,799	1-3-M9T-180	€ 3,528	1-3-M9T-210	€ 4,120	1-4-M9T-240	€ 4,711	1-5-M9T-300	€ 5,868
1-2-M13B-140	€ 2,170	1-3-M13B-180	€ 2,666	1-210-M13B	€ 3,008	1-4-M13B-240	€ 3,349	1-5-M13B-300	€ 4,030
1-2-M13T-140	€ 2,170	1-3-M13T-180	€ 2,666	1-210-M13T	€ 3,008	1-4-M13T-240	€ 3,349	1-5-M13T-300	€ 4,030



* A check valve can be supplied with the mixer taps on request
** The legionella flushing can be activated by remote control

OPTIONS

LEGS



REF.	PRICE
VP1	€ 1,109
P1	€ 578

BACK, LOW MODEL



REF.	PRICE
R1-60	€ 235
R1-120	€ 247
R1-140	€ 331
R1-180	€ 461
R1-210	€ 461
R1-240	€ 462
R1-300	€ 466

OPTIONS

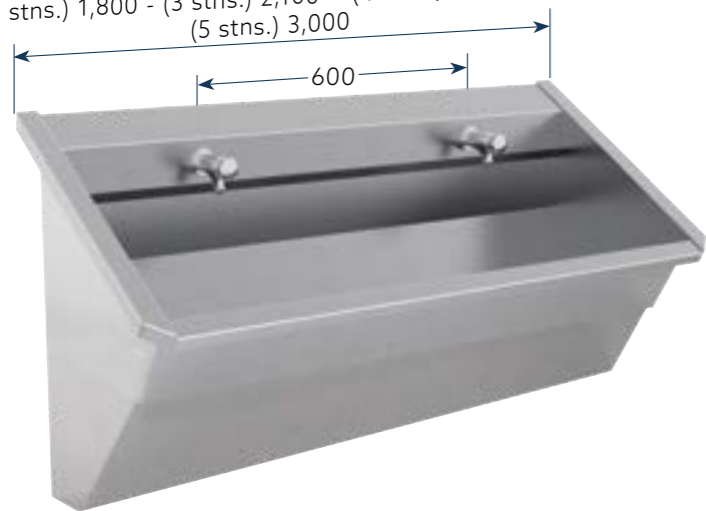
SOAP DISPENSERS

- The soap dispensers are mounted between the taps



MANUAL SOAP DISPENSER WITH 6 L FILLING SYSTEM			ELECTRONIC SOAP DISPENSER WITH 6 L FILLING SYSTEM with level indicator (220 V required)		
TYPE + QUANTITY	REF.	PRICE	TYPE + QUANTITY	REF.	PRICE
one soap pump	SMR1	€ 728	one electronic soap dispenser	SERE1	€ 1,339
two soap pumps	SMR2	€ 1,106	two electronic soap dispensers	SERE2	€ 1,973
three soap pumps	SMR3	€ 1,484	three electronic soap dispensers	SERE3	€ 2,607
four soap pumps	SMR4	€ 1,862	four electronic soap dispensers	SERE4	€ 3,241

(1 stn.) 600 - (2 stns.) 1,200 - (2 stns.) 1,400 - (3 stns.) 1,800 - (3 stns.) 2,100 - (4 stns.) 2,400 - (5 stns.) 3,000



SANILAV 1S

- The built-in splashback and tap ledge avoid polluting gaps and horizontal surfaces
- Protective skirt can be installed underneath the washing trough: to protect piping, any electronics, the soap system and thermostat



NEED A CUSTOMISED WASHING TROUGH?

TAP	VERSION / DESCRIPTION OF TAP Piping system, universal fitting left or right (stop plug included), also in through-flow (NL) (L, R or D)	PRICE OF ONE EXTRA TAP	L: 60 cm - 1 tap		L: 120 cm - 2 taps	
			REF.	PRICE	REF.	PRICE
Z2	with one pipe and tap connection, 1/2" F, without taps	€ 44	1S-1-Z2-60	€ 1,464	1S-2-Z2-120	€ 1,540
Z3	with two pipes and two tap connections, 3/4" M, centre to centre distance 150 mm	€ 144	1S-1-Z3-60	€ 1,624	1S-2-Z3-120	€ 1,710
M2	with one pipe and bib tap	€ 147	1S-1-M2-60	€ 1,621	1S-2-M2-120	€ 1,707
M3P	with one pipe and PRESTO self-closing tap	€ 195	1S-1-M3P-60	€ 1,645	1S-2-M3P-120	€ 1,731
M3D	with one pipe and Delabie self-closing tap	€ 195	1S-1-M3D-60	€ 1,644	1S-2-M3D-120	€ 1,731
M3R	with one pipe and River self-closing tap	€ 195	1S-1-M3R-60	€ 1,645	1S-2-M3R-120	€ 1,731
M3DS	with one pipe and Delabie soft-touch self-closing tap	€ 214	1S-1-M3DS-60	€ 1,690	1S-2-M3DS-120	€ 1,779
M4	with one pipe and tap with elbow control	€ 198	1S-1-M4-60	€ 1,707	1S-2-M4-120	€ 1,796
M5	with two pipes and centre hole mixer tap	€ 236	1S-1-M5-60	€ 2,061	1S-2-M5-120	€ 2,169
M6	with one pipe and a single lever mixer tap	€ 236	1S-1-M6-60	€ 2,061	1S-2-M6-120	€ 2,169
M8	with two pipes and a self-closing mixer tap	€ 504	1S-1-M8-60	€ 2,922	1S-2-M8-120	€ 3,076
M9B	with one pipe and an electronic tap on batteries	€ 504	1S-1-M9B-60	€ 2,738	1S-2-M9B-120	€ 2,882
M9T	with one pipe and electronic tap on mains power, incl. transformer	€ 434	1S-1-M9T-60	€ 2,738	1S-2-M9T-120	€ 2,882
M13B	with one pipe and an electronic tap on batteries	€ 434	1S-1-M13B-60	€ 2,276	1S-2-M13B-120	€ 2,792
M13T	with one pipe and electronic tap on mains power, incl. transformer	€ 422	1S-1-M13T-60	€ 2,276	1S-2-M13T-120	€ 2,792

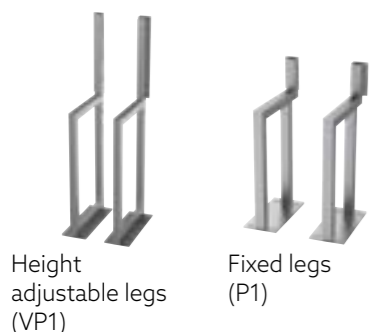
L: 140 cm - 2 taps		L: 180 cm - 3 taps		L: 210 cm - 3 taps		L: 240 cm - 4 taps		L: 300 cm - 5 taps	
REF.	PRICE	REF.*	PRICE	REF.	PRICE	REF.	PRICE	REF.	PRICE
1S-2-Z2-140	€ 1,651	1S-3-Z2-180	€ 1,997	1S-3-Z2-210	€ 2,251	1S-4-Z2-240	€ 2,505	1S-5-Z2-300	€ 3,130
1S-2-Z3-140	€ 1,834	1S-3-Z3-180	€ 2,222	1S-3-Z3-210	€ 2,503	1S-4-Z3-240	€ 2,785	1S-5-Z3-300	€ 3,540
1S-2-M2-140	€ 1,841	1S-3-M2-180	€ 2,238	1S-3-M2-210	€ 2,539	1S-4-M2-240	€ 2,840	1S-5-M2-300	€ 3,549
1S-2-M3P-140	€ 1,869	1S-3-M3P-180	€ 2,275	1S-3-M3P-210	€ 2,582	1S-4-M3P-240	€ 2,889	1S-5-M3P-300	€ 3,611
1S-2-M3D-140	€ 1,869	1S-3-M3D-180	€ 2,275	1S-3-M3D-210	€ 2,582	1S-4-M3D-240	€ 2,889	1S-5-M3D-300	€ 3,611
1S-2-M3R-140	€ 1,869	1S-3-M3R-180	€ 2,275	1S-3-M3R-210	€ 2,582	1S-4-M3R-240	€ 2,889	1S-5-M3R-300	€ 3,611
1S-2-M3DS-140	€ 1,925	1S-3-M3DS-180	€ 2,346	1S-3-M3DS-210	€ 2,665	1S-4-M3DS-240	€ 2,984	1S-5-M3DS-300	€ 3,730
1S-2-M4-140	€ 1,927	1S-3-M4-180	€ 2,334	1S-3-M4-210	€ 2,667	1S-4-M4-240	€ 2,999	1S-5-M4-300	€ 3,829
1S-2-M5-140	€ 2,379	1S-3-M5-180	€ 2,930	1S-3-M5-210	€ 3,358	1S-4-M5-240	€ 3,785	1S-5-M5-300	€ 4,777
1S-2-M6-140	€ 2,379	1S-3-M6-180	€ 2,930	1S-3-M6-210	€ 3,358	1S-4-M6-240	€ 3,785	1S-5-M6-300	€ 4,777
1S-2-M8-140	€ 3,385	1S-3-M8-180	€ 4,177	1S-3-M8-210	€ 4,719	1S-4-M8-240	€ 5,262	1S-5-M8-300	€ 6,510
1S-2-M9B-140	€ 3,212	1S-3-M9B-180	€ 4,001	1S-3-M9B-210	€ 4,624	1S-4-M9B-240	€ 5,247	1S-5-M9B-300	€ 6,621
1S-2-M9T-140	€ 3,212	1S-3-M9T-180	€ 4,001	1S-3-M9T-210	€ 4,624	1S-4-M9T-240	€ 5,247	1S-5-M9T-300	€ 6,621
1S-2-M13B-140	€ 3,106	1S-3-M13B-180	€ 3,139	1S-3-M13B-210	€ 3,512	1S-4-M13B-240	€ 3,884	1S-5-M13B-300	€ 4,783
1S-2-M13T-140	€ 3,106	1S-3-M13T-180	€ 3,865	1S-3-M13T-210	€ 3,512	1S-4-M13T-240	€ 3,884	1S-5-M13T-300	€ 4,783



* A check valve can be supplied with the mixer taps on request
** The legionella flushing can be activated by remote control

OPTIONS

LEGS



REF.	PRICE
VP1	€ 1,077
P1	€ 561

BACK, HIGH MODEL



REF.	PRICE
HR1-60	€ 228
HR1-2	€ 240
HR1-140	€ 321
HR1-3	€ 448
HR1-210	€ 448
HR1-4	€ 449
HR1-5	€ 452

OPTIONS

SOAP DISPENSERS

- The soap dispensers are mounted between the taps



MANUAL SOAP DISPENSER WITH 6 L FILLING SYSTEM

TYPE + QUANTITY	REF.	PRICE
one soap pump	SMR1	€ 1,020
two soap pumps	SMR2	€ 1,074
three soap pumps	SMR3	€ 1,441
four soap pumps	SMR4	€ 1,808

ELECTRONIC SOAP DISPENSER WITH 6 L FILLING SYSTEM with level indicator (220 V required)

TYPE + QUANTITY	REF.	PRICE
one electronic soap dispenser	SERE1	€ 1,820
two electronic soap dispensers	SERE2	€ 1,916
three electronic soap dispensers	SERE3	€ 2,532
four electronic soap dispensers	SERE4	€ 3,147



SANILAV 1C

- The built-in splashback and tap ledge avoid polluting gaps and horizontal surfaces
- Creates additional washing stations in the middle of a washing room
- The supply and discharge lines can be incorporated into the leg set that is closed with doors



NEED A CUSTOMISED WASHING TROUGH?

TAP	VERSION / DESCRIPTION OF TAP Piping system, universal fitting left or right (stop plug included), also in through-flow (NL) (L, R or D)	PRICE OF ONE EXTRA TAP	L: 60 cm - 1 tap		L: 120 cm - 2 taps	
			REF.	PRICE	REF.	PRICE
Z2	with one pipe and tap connection, 1/2" F, without taps	€ 44	1C-1-Z2-60	€ 3,514	1C-2-Z2-120	€ 3,700
Z3	with two pipes and two tap connections, 3/4" M, centre to centre distance 150 mm	€ 144	1C-1-Z3-60	€ 3,832	1C-2-Z3-120	€ 4,033
M2	with one pipe and bib tap	€ 147	1C-1-M2-60	€ 3,746	1C-2-M2-120	€ 3,943
M3P	with one pipe and PRESTO self-closing tap	€ 195	1C-1-M3P-60	€ 3,793	1C-2-M3P-120	€ 3,993
M3D	with one pipe and Delabie self-closing tap	€ 195	1C-1-M3D-60	€ 3,793	1C-2-M3D-120	€ 3,993
M3R	with one pipe and River self-closing tap	€ 195	1C-1-M3R-60	€ 3,793	1C-2-M3R-120	€ 3,993
M3DS	with one pipe and Delabie soft-touch self-closing tap	€ 214	1C-1-M3DS-60	€ 3,861	1C-2-M3DS-120	€ 4,064
M4	with one pipe and tap with elbow control	€ 198	1C-1-M4-60	€ 3,857	1C-2-M4-120	€ 4,060
M5	with two pipes and centre hole mixer tap	€ 236	1C-1-M5-60	€ 4,125	1C-2-M5-120	€ 4,342
M6	with one pipe and a single lever mixer tap	€ 236	1C-1-M6-60	€ 4,125	1C-2-M6-120	€ 4,342
M7	with one pipe and knee control	€ 383	1C-1-M7-60	€ 4,532	1C-2-M7-120	€ 4,770
M8	with two pipes and a self-closing mixer tap	€ 638	1C-1-M8-60	€ 5,994	1C-2-M8-120	€ 6,309
M9B	with one pipe and an electronic tap on batteries	€ 504	1C-1-M9B-60	€ 6,313	1C-2-M9B-120	€ 6,646
M9T	with one pipe and electronic tap on mains power, incl. transformer	€ 504	1C-1-M9T-60	€ 6,313	1C-2-M9T-120	€ 6,646
M13B	with one pipe and an electronic tap on batteries	€ 434	1C-1-M13B-60	€ 4,548	1C-2-M13B-120	€ 4,787
M13T	with one pipe and electronic tap on mains power, incl. transformer	€ 434	1C-1-M13T-60	€ 4,548	1C-2-M13T-120	€ 4,787



L: 140 cm - 2 taps		L: 180 cm - 3 taps		L: 210 cm - 3 taps		L: 240 cm - 4 taps		L: 300 cm - 5 taps	
REF.	PRICE	REF.	PRICE	REF.	PRICE	REF.	PRICE	REF.	PRICE
1C-2-Z2-140	€ 3,811	1C-3-Z2-180	€ 4,467	1C-3-Z2-210	€ 4,842	1C-4-Z2-240	€ 5,216	1C-5-Z2-300	€ 6,035
1C-2-Z3-140	€ 4,176	1C-3-Z3-180	€ 4,915	1C-3-Z3-210	€ 5,353	1C-4-Z3-240	€ 5,790	1C-5-Z3-300	€ 6,731
1C-2-M2-140	€ 4,106	1C-3-M2-180	€ 4,855	1C-3-M2-210	€ 5,302	1C-4-M2-240	€ 5,749	1C-5-M2-300	€ 6,714
1C-2-M3P-140	€ 4,165	1C-3-M3P-180	€ 4,932	1C-3-M3P-210	€ 5,392	1C-4-M3P-240	€ 5,851	1C-5-M3P-300	€ 6,841
1C-2-M3D-140	€ 4,165	1C-3-M3D-180	€ 4,932	1C-3-M3D-210	€ 5,392	1C-4-M3D-240	€ 5,851	1C-5-M3D-300	€ 6,841
1C-2-M3R-140	€ 4,165	1C-3-M3R-180	€ 4,932	1C-3-M3R-210	€ 5,392	1C-4-M3R-240	€ 5,851	1C-5-M3R-300	€ 6,841
1C-2-M3DS-140	€ 4,246	1C-3-M3DS-180	€ 5,033	1C-3-M3DS-210	€ 5,509	1C-4-M3DS-240	€ 5,985	1C-5-M3DS-300	€ 7,009
1C-2-M4-140	€ 4,244	1C-3-M4-180	€ 5,033	1C-3-M4-210	€ 5,509	1C-4-M4-240	€ 5,985	1C-5-M4-300	€ 7,008
1C-2-M5-140	€ 4,551	1C-3-M5-180	€ 5,409	1C-3-M5-210	€ 5,931	1C-4-M5-240	€ 6,454	1C-5-M5-300	€ 7,579
1C-2-M6-140	€ 4,551	1C-3-M6-180	€ 5,409	1C-3-M6-210	€ 5,931	1C-4-M6-240	€ 6,454	1C-5-M6-300	€ 7,579
1C-2-M7-140	€ 5,059	1C-3-M7-180	€ 6,073	1C-3-M7-210	€ 6,722	1C-4-M7-240	€ 7,371	1C-5-M7-300	€ 8,740
1C-2-M8-140	€ 6,864	1C-3-M8-180	€ 8,401	1C-3-M8-210	€ 9,428	1C-4-M8-240	€ 10,455	1C-5-M8-300	€ 12,589
1C-2-M9B-140	€ 7,375	1C-3-M9B-180	€ 9,158	1C-3-M9B-210	€ 10,571	1C-4-M9B-240	€ 11,984	1C-5-M9B-300	€ 14,492
1C-2-M9T-140	€ 7,375	1C-3-M9T-180	€ 9,158	1C-3-M9T-210	€ 10,571	1C-4-M9T-240	€ 11,984	1C-5-M9T-300	€ 14,492
1C-2-M13B-140	€ 5,105	1C-3-M13B-180	€ 6,152	1C-3-M13B-210	€ 6,834	1C-4-M13B-240	€ 7,516	1C-5-M13B-300	€ 8,881
1C-2-M13T-140	€ 5,105	1C-3-M13T-180	€ 6,152	1C-3-M13T-210	€ 6,834	1C-4-M13T-240	€ 7,516	1C-5-M13T-300	€ 8,881



* A check valve can be supplied with the mixer taps on request

** The legionella flushing can be activated by remote control

OPTIONS

SOAP DISPENSERS

- The soap dispensers are mounted between the taps

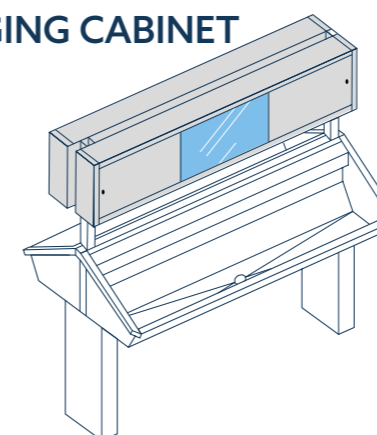


MANUAL SOAP DISPENSER WITH 6 L FILLING SYSTEM		
TYPE + QUANTITY	REF.	PRICE
one soap pump	SMR1	€ 728
two soap pumps	SMR2	€ 1,106
three soap pumps	SMR3	€ 1,484
four soap pumps	SMR4	€ 1,862

ELECTRONIC SOAP DISPENSER WITH 6 L FILLING SYSTEM with level indicator (220 V required)		
TYPE + QUANTITY	REF.	PRICE
one electronic soap dispenser	SERE1	€ 1,339
two electronic soap dispensers	SERE2	€ 1,973
three electronic soap dispensers	SERE3	€ 2,607
four electronic soap dispensers	SERE4	€ 3,241

OPTIONS

HANGING CABINET



HANGING CABINET 120 cm 2 stations		HANGING CABINET 180 cm 3 stations	
REF.	PRICE	REF.	PRICE
A1C-2	€ 3,624	A1C-3	€ 4,850

HANGING CABINET 240 cm 4 stations		HANGING CABINET 300 cm 5 stations	
REF.	PRICE	REF.	PRICE
2x A1C-2	€ 7,250	A1C-2+A1C-3	€ 8,474



SANILAV 1CS

- The built-in splashback and tap ledge avoid polluting gaps and horizontal surfaces
- Protective skirt underneath the washing trough: to protect piping, any electronics, the soap system and thermostat
- Creates additional washing stations in the middle of a washing room
- The supply and discharge lines can be incorporated into the leg set that is closed with doors



NEED A CUSTOMISED WASHING TROUGH?

TAP	VERSION / DESCRIPTION OF TAP Piping system, universal fitting left or right (stop plug included), also in through-flow (NL) (L, R or D)	PRICE OF ONE EXTRA TAP	L: 60 cm - 1 tap		L: 120 cm - 2 taps	
			REF.	PRICE	REF.	PRICE
Z2	with one pipe and tap connection, 1/2" F, without taps	€ 44	1CS-1-Z2-60	€ 4,298	1CS-2-Z2-120	€ 4,525
Z3	with two pipes and two tap connections, 3/4" M, centre to centre distance 150 mm	€ 144	1CS-1-Z3-60	€ 4,615	1CS-2-Z3-120	€ 4,859
M2	with one pipe and bib tap	€ 147	1CS-1-M2-60	€ 4,529	1CS-2-M2-120	€ 4,768
M3P	with one pipe and PRESTO self-closing tap	€ 195	1CS-1-M3P-60	€ 4,577	1CS-2-M3P-120	€ 4,818
M3D	with one pipe and Delabie self-closing tap	€ 195	1CS-1-M3D-60	€ 4,577	1CS-2-M3D-120	€ 4,818
M3R	with one pipe and River self-closing tap	€ 195	1CS-1-M3R-60	€ 4,577	1CS-2-M3R-120	€ 4,818
M3DS	with one pipe and Delabie soft-touch self-closing tap	€ 214	1CS-1-M3DS-60	€ 4,644	1CS-2-M3DS-120	€ 4,889
M4	with one pipe and tap with elbow control	€ 198	1CS-1-M4-60	€ 4,640	1CS-2-M4-120	€ 4,885
M5	with two pipes and centre hole mixer tap	€ 236	1CS-1-M5-60	€ 4,909	1CS-2-M5-120	€ 5,168
M6	with one pipe and single lever mixer tap	€ 236	1CS-1-M6-60	€ 4,909	1CS-2-M6-120	€ 5,168
M8	with two pipes and a self-closing mixer tap	€ 638	1CS-1-M8-60	€ 6,776	1CS-2-M8-120	€ 7,134
M9B	with one pipe and an electronic tap on batteries	€ 504	1CS-1-M9B-60	€ 7,097	1CS-2-M9B-120	€ 7,471
M9T	with one pipe and electronic tap on mains power, incl. transformer	€ 504	1CS-1-M9T-60	€ 7,097	1CS-2-M9T-120	€ 7,471
M13B	with one pipe and an electronic tap on batteries	€ 434	1CS-1-M13B-60	€ 5,331	1CS-2-M13B-120	€ 5,612
M13T	with one pipe and electronic tap on mains power, incl. transformer	€ 434	1CS-1-M13T-60	€ 5,331	1CS-2-M13T-120	€ 5,612

L: 140 cm - 2 taps		L: 180 cm - 3 taps		L: 210 cm - 3 taps		L: 240 cm - 4 taps		L: 300 cm - 5 taps	
REF.	PRICE	REF.	PRICE	REF.	PRICE	REF.	PRICE	REF.	PRICE
1CS-2-Z2-140	€ 4,637	1CS-3-Z2-180	€ 5,412	1CS-3-Z2-210	€ 5,849	1CS-4-Z2-240	€ 6,286	1CS-5-Z2-300	€ 7,541
1CS-2-Z3-140	€ 5,002	1CS-3-Z3-180	€ 5,860	1CS-3-Z3-210	€ 6,360	1CS-4-Z3-240	€ 6,860	1CS-5-Z3-300	€ 8,237
1CS-2-M2-140	€ 4,932	1CS-3-M2-180	€ 5,800	1CS-3-M2-210	€ 6,310	1CS-4-M2-240	€ 6,820	1CS-5-M2-300	€ 8,220
1CS-2-M3P-140	€ 4,990	1CS-3-M3P-180	€ 5,876	1CS-3-M3P-210	€ 6,399	1CS-4-M3P-240	€ 6,922	1CS-5-M3P-300	€ 8,347
1CS-2-M3D-140	€ 4,990	1CS-3-M3D-180	€ 5,876	1CS-3-M3D-210	€ 6,399	1CS-4-M3D-240	€ 6,922	1CS-5-M3D-300	€ 8,347
1CS-2-M3R-140	€ 4,990	1CS-3-M3R-180	€ 5,876	1CS-3-M3R-210	€ 6,399	1CS-4-M3R-240	€ 6,922	1CS-5-M3R-300	€ 8,347
1CS-2-M3DS-140	€ 5,071	1CS-3-M3DS-180	€ 5,977	1CS-3-M3DS-210	€ 6,517	1CS-4-M3DS-240	€ 7,056	1CS-5-M3DS-300	€ 8,515
1CS-2-M4-140	€ 5,069	1CS-3-M4-180	€ 5,977	1CS-3-M4-210	€ 6,517	1CS-4-M4-240	€ 7,056	1CS-5-M4-300	€ 8,514
1CS-2-M5-140	€ 5,377	1CS-3-M5-180	€ 6,353	1CS-3-M5-210	€ 6,939	1CS-4-M5-240	€ 7,524	1CS-5-M5-300	€ 9,085
1CS-2-M6-140	€ 5,377	1CS-3-M6-180	€ 6,353	1CS-3-M6-210	€ 6,939	1CS-4-M6-240	€ 7,524	1CS-5-M6-300	€ 9,085
1CS-2-M8-140	€ 7,690	1CS-3-M8-180	€ 9,345	1CS-3-M8-210	€ 10,435	1CS-4-M8-240	€ 11,525	1CS-5-M8-300	€ 14,095
1CS-2-M9B-140	€ 8,201	1CS-3-M9B-180	€ 10,102	1CS-3-M9B-210	€ 11,578	1CS-4-M9B-240	€ 13,054	1CS-5-M9B-300	€ 15,998
1CS-2-M9T-140	€ 8,201	1CS-3-M9T-180	€ 10,102	1CS-3-M9T-210	€ 11,578	1CS-4-M9T-240	€ 13,054	1CS-5-M9T-300	€ 15,998
1CS-2-M13B-140	€ 5,931	1CS-3-M13B-180	€ 7,097	1CS-3-M13B-210	€ 7,841	1CS-4-M13B-240	€ 8,586	1CS-5-M13B-300	€ 10,387
1CS-2-M13T-140	€ 5,931	1CS-3-M13T-180	€ 7,097	1CS-3-M13T-210	€ 7,841	1CS-4-M13T-240	€ 8,586	1CS-5-M13T-300	€ 10,387



* A check valve can be supplied with the mixer taps on request
** The legionella flushing can be activated by remote control

OPTIONS

SOAP DISPENSERS

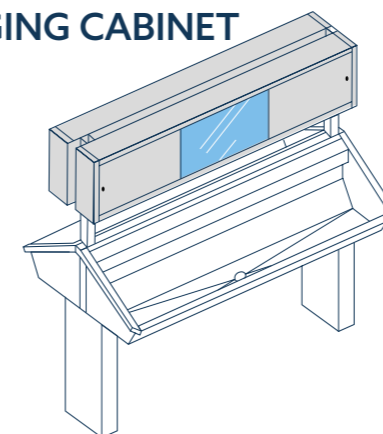
- The soap dispensers are mounted between the taps



MANUAL SOAP DISPENSER WITH 6 L FILLING SYSTEM			ELECTRONIC SOAP DISPENSER WITH 6 L FILLING SYSTEM with level indicator (220 V required)		
TYPE + QUANTITY	REF.	PRICE	TYPE + QUANTITY	REF.	PRICE
one soap pump	SMR1	€ 728	one electronic soap dispenser	SERE1	€ 1,339
two soap pumps	SMR2	€ 1,106	two electronic soap dispensers	SERE2	€ 1,973
three soap pumps	SMR3	€ 1,484	three electronic soap dispensers	SERE3	€ 2,607
four soap pumps	SMR4	€ 1,862	four electronic soap dispensers	SERE4	€ 3,241

OPTIONS

HANGING CABINET



HANGING CABINET 120 cm 2 stations		HANGING CABINET 180 cm 3 stations	
REF.	PRICE	REF.	PRICE
A1C-2	€ 3,624	A1C-3	€ 4,850

HANGING CABINET 240 cm 4 stations		HANGING CABINET 300 cm 5 stations	
REF.	PRICE	REF.	PRICE
2xA1C-2	€ 7,250	A1C-2+A1C-3	€ 8,474

(1 stn.) 600 - (2 stns.) 1,200 - (2 stns.) 1,400 - (3 stns.) 1,800 -
(3 stns.) 2,100 - (4 stns.) 2,400 - (5 stns.) 3,000



SANILAV 3

- The separate splashback behind the horizontal tap surface protects the wall from splashes
- Functionally and hygienically the best choice in the simplified models segment



NEED A CUSTOMISED WASHING TROUGH?

TAP	VERSION / DESCRIPTION OF TAP Piping system, universal fitting left or right (stop plug included), also in through-flow (NL) (L, R or D)	PRICE OF ONE EXTRA TAP
Z1	without taps, without tap holes	-
22 mm	with 22 mm tap holes	-
35 mm	with 35 mm tap holes	-
L1	with one pipe and bib tap	€ 134
L2	with 1 tap with a raised spout	€ 134
L3P	with one pipe and PRESTO self-closing tap	€ 185
L3D	with one pipe and Delabie self-closing tap	€ 185
L3R	with one pipe and River self-closing tap	€ 185
L4	with two pipes and a single lever mixer tap	€ 161
L6B	with one pipe and an electronic tap on batteries	€ 495
L6T	with one pipe and an electronic tap L6T (220V)	€ 495

L: 60 cm - 1 tap		L: 120 cm - 2 taps	
REF.	PRICE	REF.	PRICE
3-Z1-60	€ 423	3-Z1-120	€ 446
3-1-22 mm-60	€ 423	3-2-22 mm-120	€ 446
3-1-35 mm-60	€ 423	3-2-35 mm-120	€ 446
3-1-L1-60	€ 842	3-2-L1-120	€ 886
3-1-L2-60	€ 842	3-2-L2-120	€ 886
3-1-L3P-60	€ 899	3-2-L3P-120	€ 947
3-1-L3D-60	€ 899	3-2-L3D-120	€ 947
3-1-L3R-60	€ 899	3-2-L3R-120	€ 947
3-1-L4-60	€ 1,048	3-2-L4-120	€ 1,103
3-1-L6B-60	€ 1,517	3-2-L6B-120	€ 1,597
3-1-L6T-60	€ 1,517	3-2-L6T-120	€ 1,597

L: 140 cm - 2 taps		L: 180 cm - 3 taps		L: 210 cm - 3 taps		L: 240 cm - 4 taps		L: 300 cm - 5 taps	
REF.	PRICE	REF.	PRICE	REF.	PRICE	REF.	PRICE	REF.	PRICE
3-Z1-140	€ 518	3-Z1-180	€ 663	3-Z1-210	€ 725	3-Z1-240	€ 786	3-Z1-300	€ 934
3-2-22 mm-140	€ 518	3-3-22 mm-180	€ 663	3-3-22 mm-210	€ 725	3-4-22 mm-240	€ 786	3-5-22 mm-300	€ 934
3-2-35 mm-140	€ 518	3-3-35 mm-180	€ 663	3-3-35 mm-210	€ 725	3-4-35 mm-240	€ 786	3-5-35 mm-300	€ 934
3-2-L1-140	€ 1,014	3-3-L1-180	€ 1,286	3-3-L1-210	€ 1,498	3-4-L1-240	€ 1,709	3-5-L1-300	€ 2,085
3-2-L2-140	€ 1,014	3-3-L2-180	€ 1,286	3-3-L2-210	€ 1,498	3-4-L2-240	€ 1,709	3-5-L2-300	€ 2,085
3-2-L3P-140	€ 1,084	3-3-L3P-180	€ 1,376	3-3-L3P-210	€ 1,593	3-4-L3P-240	€ 1,810	3-5-L3P-300	€ 2,195
3-2-L3D-140	€ 1,084	3-3-L3D-180	€ 1,376	3-3-L3D-210	€ 1,593	3-4-L3D-240	€ 1,810	3-5-L3D-300	€ 2,195
3-2-L3R-140	€ 1,084	3-3-L3R-180	€ 1,376	3-3-L3R-210	€ 1,593	3-4-L3R-240	€ 1,810	3-5-L3R-300	€ 2,195
3-2-L4-140	€ 1,267	3-3-L4-180	€ 1,612	3-3-L4-210	€ 1,878	3-4-L4-240	€ 2,143	3-5-L4-300	€ 2,628
3-2-L6B-140	€ 1,842	3-3-L6B-180	€ 2,349	3-3-L6B-210	€ 2,739	3-4-L6B-240	€ 3,127	3-5-L6B-300	€ 3,857
3-2-L6T-140	€ 1,842	3-3-L6T-180	€ 2,349	3-3-L6T-210	€ 2,739	3-4-L6T-240	€ 3,127	3-5-L6T-300	€ 3,857



* A check valve can be supplied with the mixer taps on request

OPTIONS

LEGS



REF.	PRICE
B5	€ 165

Tubular legs for the Sanilav 3 (B5). Serves to support the washing trough if fixed to the wall.

OPTIONS

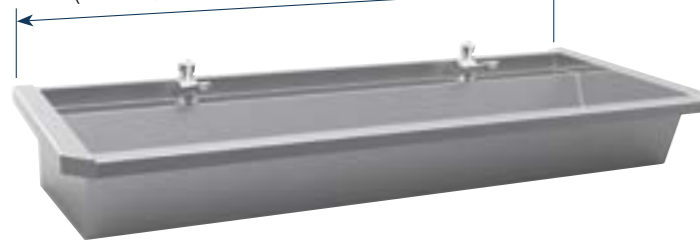
SOAP DISPENSERS

- The soap dispensers are mounted between the taps



TYPE + QUANTITY	REF.	PRICE
one soap pump	SMB1	€ 416
two soap pumps	SMB2	€ 472
three soap pumps	SMB3	€ 529
four soap pumps	SMB4	€ 586

(1 stn.) 600 - (2 stns.) 1,200 - (2 stns.) 1,400 - (3 stns.) 1,800 -
(3 stns.) 2,100 - (4 stns.) 2,400 - (5 stns.) 3,000



SANILAV 5

• = Sanilav 3 without splashback



NEED A CUSTOMISED WASHING TROUGH?

TAP	VERSION / DESCRIPTION OF TAP Piping system, universal fitting left or right (stop plug included), also in through-flow (NL) (L, R or D)	PRICE OF ONE EXTRA TAP
Z1	without taps, without tap holes	-
22 mm	with 22 mm tap holes	-
35 mm	with 35 mm tap holes	-
L1	with one pipe and bib tap	€ 134
L2	with 1 tap with a raised spout	€ 134
L3P	with one pipe and PRESTO self-closing tap	€ 185
L3D	with one pipe and Delabie self-closing tap	€ 185
L3R	with one pipe and River self-closing tap	€ 185
L4	with two pipes and a single lever mixer tap	€ 161
L6B	with one pipe and an electronic tap on batteries	€ 495
L6T	with one pipe and an electronic tap L6T (220V)	€ 495

L: 60 cm - 1 tap		L: 120 cm - 2 taps	
REF.	PRICE	REF.	PRICE
5-Z1-60	€ 377	5-Z1-120	€ 396
5-1-22 mm-60	€ 377	5-2-22 mm-120	€ 397
5-1-35 mm-60	€ 377	5-2-35 mm-120	€ 397
5-1-L1-60	€ 776	5-2-L1-120	€ 817
5-1-L2-60	€ 776	5-2-L2-120	€ 817
5-1-L3P-60	€ 833	5-2-L3P-120	€ 878
5-1-L3D-60	€ 833	5-2-L3D-120	€ 878
5-1-L3R-60	€ 833	5-2-L3R-120	€ 878
5-1-L4-60	€ 984	5-2-L4-120	€ 1,035
5-1-L6B-60	€ 1,451	5-2-L6B-120	€ 1,527
5-1-L6T-60	€ 1,451	5-2-L6T-120	€ 1,527

L: 140 cm - 3 taps		L: 180 cm - 3 taps		L: 210 cm - 3 taps		L: 240 cm - 4 taps		L: 300 cm - 5 taps	
REF.	PRICE	REF.	PRICE	REF.	PRICE	REF.	PRICE	REF.	PRICE
5-Z1-140	€ 448	5-Z1-180	€ 564	5-Z1-210	€ 617	5-Z1-240	€ 668	5-Z1-300	€ 809
5-2-22 mm-140	€ 448	5-3-22 mm-180	€ 564	5-3-22 mm-210	€ 617	5-4-22 mm-240	€ 668	5-4-22 mm-300	€ 809
5-2-35 mm-140	€ 448	5-3-35 mm-180	€ 564	5-3-35 mm-210	€ 617	5-4-35 mm-240	€ 668	5-4-35 mm-300	€ 809
5-2-L1-140	€ 937	5-3-L1-180	€ 1,192	5-3-L1-210	€ 1,389	5-4-L1-240	€ 1,586	5-5-L1-300	€ 1,954
5-2-L2-140	€ 937	5-3-L2-180	€ 1,192	5-3-L2-210	€ 1,389	5-4-L2-240	€ 1,586	5-5-L2-300	€ 1,954
5-2-L3P-140	€ 1,008	5-3-L3P-180	€ 1,282	5-3-L3P-210	€ 1,495	5-4-L3P-240	€ 1,706	5-5-L3P-300	€ 2,105
5-2-L3D-140	€ 1,008	5-3-L3D-180	€ 1,282	5-3-L3D-210	€ 1,495	5-4-L3D-240	€ 1,706	5-5-L3D-300	€ 2,105
5-2-L3R-140	€ 1,008	5-3-L3R-180	€ 1,282	5-3-L3R-210	€ 1,495	5-4-L3R-240	€ 1,706	5-5-L3R-300	€ 2,105
5-2-L4-140	€ 1,192	5-3-L4-180	€ 1,518	5-3-L4-210	€ 1,770	5-4-L4-240	€ 2,021	5-5-L4-300	€ 2,498
5-2-L6B-140	€ 1,765	5-3-L6B-180	€ 2,256	5-3-L6B-210	€ 2,631	5-4-L6B-240	€ 3,006	5-5-L6B-300	€ 3,727
5-2-L6T-140	€ 1,765	5-3-L6T-180	€ 2,256	5-3-L6T-210	€ 2,631	5-4-L6T-240	€ 3,006	5-5-L6T-300	€ 3,727



* A check valve can be supplied with the mixer taps on request

OPTIONS

LEGS

BACK, LOW MODEL



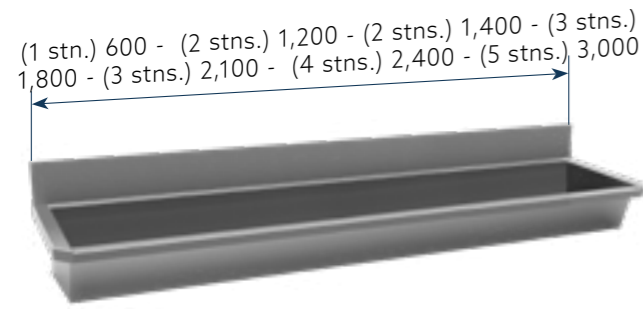
OPTIONS

SOAP DISPENSERS

• The soap dispensers are mounted between the taps



TYPE + QUANTITY	REF.	PRICE
one soap pump	SMB1	€ 416
two soap pumps	SMB2	€ 472
three soap pumps	SMB3	€ 529
four soap pumps	SMB4	€ 586



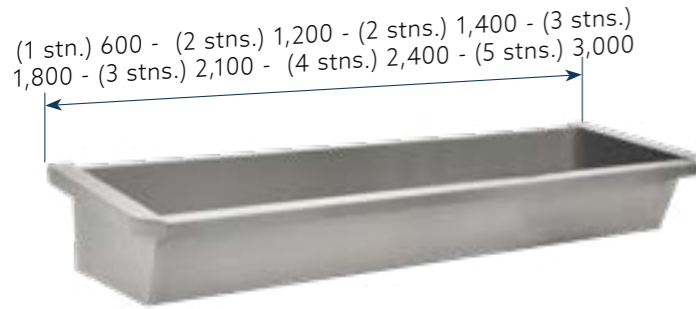
SANILAV 6

- For installations with taps on the wall
- The separate splashback behind the horizontal tap surface protects the wall from splashes

TAP	VERSION
Z1	without taps, without tap holes

L: 60 cm		L: 120 cm	
REF.	PRICE	REF.	PRICE
6-Z1-60	€ 703	6-Z1-120	€ 783

L: 140 cm		L: 180 cm		L: 210 cm		L: 240 cm		L: 300 cm	
REF.	PRICE	REF.	PRICE	REF.	PRICE	REF.	PRICE	REF.	PRICE
6-Z1-140	€ 812	6-Z1-180	€ 874	6-Z1-210	€ 924	6-Z1-240	€ 967	6-Z1-300	€ 1,058



SANILAV 8

- = Sanilav 6 without splashback

TAP	VERSION
Z1	without taps, without tap holes

L: 60 cm		L: 120 cm	
REF.	PRICE	REF.	PRICE
8-Z1-60	€ 517	8-Z1-120	€ 573

L: 140 cm		L: 180 cm		L: 210 cm		L: 240 cm		L: 300 cm	
REF.	PRICE	REF.	PRICE	REF.	PRICE	REF.	PRICE	REF.	PRICE
8-Z1-140	€ 593	8-Z1-180	€ 641	8-Z1-210	€ 678	8-Z1-240	€ 709	8-Z1-300	€ 809

OPTIONS

LEGS



REF.	PRICE
B5	€ 165

Tubular legs for the Sanilav 5 (B5). Serves to support the washing trough if fixed to the wall.



SANILAV 7E2

- Welded seamlessly on the inside of the washing trough
- Thickness: side 1.5 mm; trough 1 mm
- Brushed

TAP	VERSION
Z1	without taps, without tap holes

L: 60 cm		L: 120 cm	
REF.	PRICE	REF.	PRICE
7E2-Z1-60	€ 423	7E2-Z1-120	€ 446

L: 140 cm		L: 180 cm		L: 210 cm		L: 240 cm		L: 300 cm	
REF.	PRICE	REF.	PRICE	REF.	PRICE	REF.	PRICE	REF.	PRICE
7E2-Z1-140	€ 518	7E2-Z1-180	€ 663	7E2-Z1-210	€ 725	7E2-Z1-240	€ 786	7E2-Z1-300	€ 934



SANILAV 9E2

- = Sanilav 7E2 without splashback

TAP	VERSION
Z1	without taps, without tap holes

L: 60 cm		L: 120 cm	
REF.	PRICE	REF.	PRICE
9E2-Z1-60	€ 377	9E2-Z1-120	€ 397

L: 140 cm		L: 180 cm		L: 210 cm		L: 240 cm		L: 300 cm	
REF.	PRICE	REF.	PRICE	REF.	PRICE	REF.	PRICE	REF.	PRICE
9E2-Z1-140	€ 448	9E2-Z1-180	€ 564	9E2-Z1-210	€ 617	9E2-Z1-240	€ 668	9E2-Z1-300	€ 809

OPTIONS

FIXED LEGS



REF.	PRICE
P9E2	€ 477

Fixed legs for Sanilav 9E2 (P9E2)

BACK, LOW MODEL



Low back for free-standing and washing trough rear covering with pipes

REF.	PRICE
R9-60	€ 235
R9-120	€ 247
R9-140	€ 331
R9-180	€ 461
R9-210	€ 461
R9-240	€ 462
R9-300	€ 466



NEED A CUSTOMISED WASHING TROUGH?



1. STANDARD ORDER REFERENCE

- 1. Model e.g.: Sanilav 1
- 2. Number of taps 1-2-3-4-5
- 3. Type of tap (see tap ref.) e.g.: M3D, M3DS, etc.
Order reference: **1-2-M3DS-120**

If you choose stainless steel 316, the order reference is:
316-2-M3DS-120

2. CUSTOMISATION REFERENCE*

- 1. Model
- 2. Number of taps
- 3. Type of tap
- 4. Length in cm
- 5. Desired distance between taps

Example of customised order:

1-2-M3DS-110-50

If you choose stainless steel 316, the order reference is:

316-2-M3DS-110-50

Price = higher standard size + 15%

* Production tolerance ± 2 mm. All dimensions are outside dimensions. Customisation is not taken back

3. ADDITION OF OPTIONS, SEE PAGES 36-37

Complete one of the above references with the reference of your option

Example of standard order reference with option wall cabinet and washing trough in blue:

1-2-M3DS-120-A1-2-B

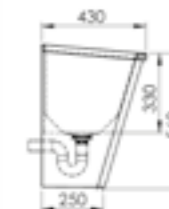
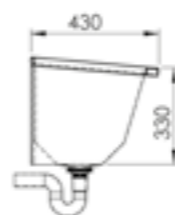
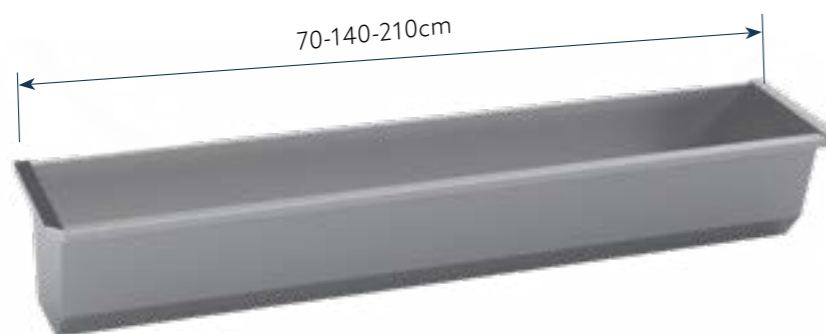
Example of customisation reference with option wall cabinet and washing trough in blue:

1-2-M3DS-97-50-A1-2-B

NEW

DOCTOR'S WASH TROUGH

- Option to install own tap and soap system
- Easy to install
- Easy access to drainage & tap components



REF.	OMSCHRIJVING	PRIJS
DWD-70	DOUBLE-WALLED DOCTOR'S WASH TROUGH, 70CM	€2,170
DWD-140	DOUBLE-WALLED DOCTOR'S WASH TROUGH, 140CM	€2,335
DWD-210	DOUBLE-WALLED DOCTOR'S WASH TROUGH, 210CM	€ 2,500

REF.	OMSCHRIJVING	PRIJS
DW-70	DOCTOR'S WASH TROUGH, 70CM	€ 1,881
DW-140	DOCTOR'S WASH TROUGH, 140CM	€ 1,989
DW-210	DOCTOR'S WASH TROUGH, 210CM	€2,097



REF.	OMSCHRIJVING	PRIJS
DWK-70	DOCTOR'S WASH TROUGH WITH TAP MODULE, 70CM	€2,349
DWK-140	DOCTOR'S WASH TROUGH WITH TAP MODULE, 140CM	€2,540
DWK-210	DOCTOR'S WASH TROUGH WITH TAP MODULE, 210CM	€ 2,159



OPTIONS

WALL CABINET

- Shallow lockable storage cabinet (for paper and soap storage) on which paper dispensers can be mounted next to vandal-resistant mirrors (and conventional wall-mounted soap dispensers)



WALL CABINET 120 cm 2 stations		WALL CABINET 180 cm 3 stations	
REF.	PRICE	REF.	PRICE
A1-2	€ 1,589	A1-3	€ 2,428
WALL CABINET 240 cm 4 stations		WALL CABINET 300 cm 5 stations	
REF.	PRICE	REF.	PRICE
2xA1-2	€ 3,179	A1-2+A1-3	€ 4,017

FIXING HOOKS

- Special suspension system available for perfect vertical and horizontal alignment when mounting in series
- Reinforcement for standard suspension



REF.	PRICE
A6	€ 22

DISH FOR BRUSHES

- Only for Sanilav 1



REF.	PRICE
A2	€ 40

COLOUR OPTIONS

- For washing troughs between 60 and 180 cm
- In the following lacquered colors

COLOUR	COLOUR CODE
white RAL 9,003	W
grey RAL 7,037	G
yellow RAL 1,023	J
orange RAL 2,000	O
green RAL 6,024	V
red RAL 3,020	R
blue RAL 5,010	B
black RAL 9,005	Z

SUPPLEMENTARY PRICE:
€ 587

DRIP GRILLES

REF.	PRICE
A15 (Sanilav 5 / 3)	€ 207
A17-2 (Sanilav 1-2)	€ 266
A17-3 (Sanilav 1-3)	€ 276

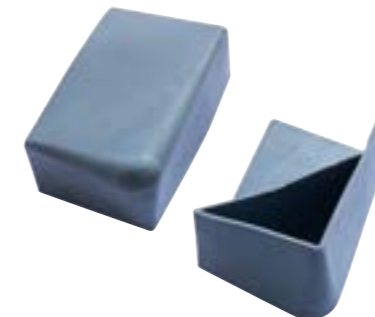
PROTECTIVE CORNERS

REF.	PRICE
HB+glue set	€ 58

MAINTENANCE KIT

- Contents: cleaning materials, rust remover and cleaning supplies for maintenance

REF.	PRICE
OKK: 100 ml	€ 33
OKG: 250 ml	€ 53



HOW TO PERFORM MAINTENANCE?



Discover Our Vandal-Resistant Changing, Toilet, and Shower Rooms

We offer durable and vandal-resistant solutions for changing, toilet, and shower rooms. Available in chipboard or HPL and a wide range of colors, they seamlessly fit your project's needs.

Strong and Secure Construction

- Back Wall Mounting: For extra stability, our compartments are always mounted against a back wall.
- Safe Doors: Doors open outward by default for optimal safety. Choose between left- or right-swinging options.

Flexible Solutions for Wet Areas

- Looking to install your own shower? Our Thermotub shower cabins are the ideal choice:
- Self-Supporting and Robust: Designed for intensive use.
 - Easy Installation: Quick and efficient placement within our HPL shower compartments.

Standard and Custom Options

This catalog includes standard pricing for 1 to 6 cabins. Do you have specific requirements? Feel free to contact us for a tailor-made solution.

CONTENTS

DRY CUBICLES - FOR TOILETS 42-61

CHIPBOARD 42-47

 Vertically oriented 44-45

 Laterally oriented 46

 Cubicle for wheelchair users and extension 47

CDF 48-55

 Vertically oriented 52-53

 Laterally oriented 54

 Cubicle for wheelchair users and extension 69

HPL 56-61

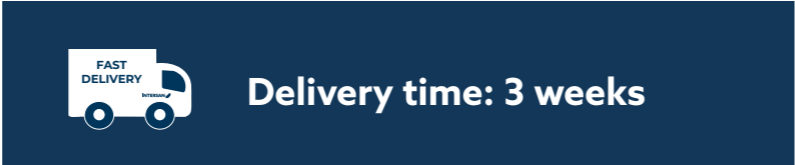
 Vertically oriented 58-59

 Laterally oriented 60

 Cubicle for wheelchair users and extension 61

WET CUBICLES - FOR SHOWERS 62-65

THERMOTUB 66-67



DRY CUBICLES - FOR TOILETS & CHANGING ROOMS

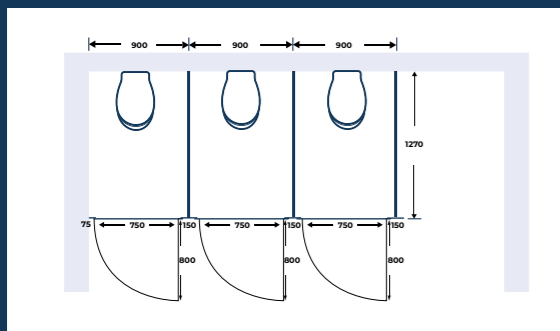
CHIPBOARD



- Dimensions: W 900 x D 1,270 mm
- The panels are finished with a melamine top layer.
- Panels are white (RAL 9,003) as standard, but also available in various colours, see page 43
- All visible metal parts are of stainless steel
- The floor supports are height adjustable to enable you to place the installation perfectly level
- Always back wall required for attachment
- With doors opening outwards (for safety)
- Choice to indicate left (LD) or right (RD) opening doors (part of reference)

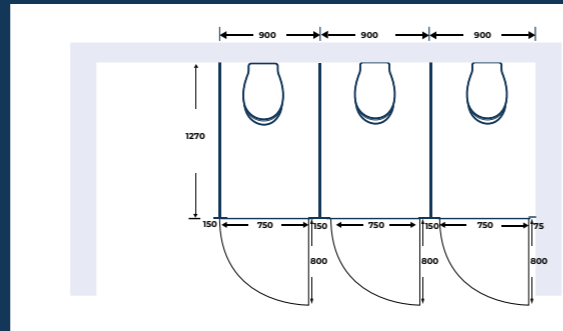
The chipboard dividers are not resistant to water, and they cannot be cleaned using high pressure or a water jet. Should this be required, please refer to pages 56-61 for our solid core dry cubicles.

Explanation of the order reference



Reference*: SP-ZL-RD-3

SP: chipboard
ZL: side wall left
RD: right-opening doors
3: 3 cubicles in series
standard colour (white)



Reference*: SP-ZR-RD-3-GRC

SP: chipboard
ZR: side wall left
RD: right-opening doors
3: 3 cubicles in series
GRC: grey concrete

* If you choose a left-opening door, substitute the 'RD' with an 'LD'

	KLEUR	REF.		KLEUR	REF.
	White	WHI		Arctic grey	ARG
	Smoke blue	SBL		Onyx grey	ONG
	Taupe	TAU		Riverside oak	ROA
	Marron red	MAR		Carni walnut natur	CWN
	Kashmir	KAS		Thermo oak black	TOB
	White beach	WHB		Soft oak greige	SOG
	Grey	GRE		Grey concrete	GRC
	Soft coral	SOC		Royal oak vanilla	ROV
	Premium white matt	PWM		Rila oak	RIO
	Basalt	BAS		Desert ash	DEA
	Cosmos grey	COG		Castello oak	CAO
	Sage green	SAG		Minnesota oak chocolate	MOC
	Soft black matt	SBM			

VERTICALLY ORIENTED

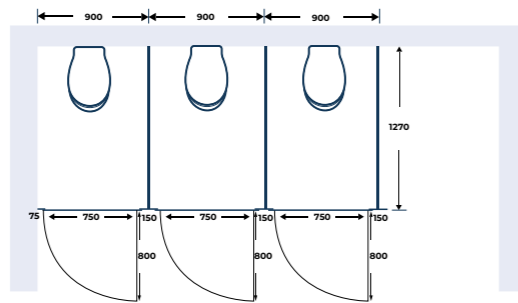
With wall left or right

- Options:
 - wall on the left with doors opening to the right (RD) or to the left (LD) and
 - wall on the right with doors opening to the right (RD) or to the left (LD)
- Dimensions: W 900 x D 1,270 mm



NEED A CUSTOMISED CUBICLE?

With wall on the left

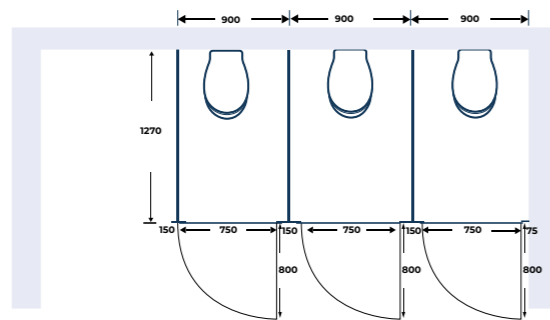


Example:
SP-1ZL-RD-3

# CUBICLES	REFERENCE* AVAILABLE IN VARIOUS COLOURS (for colour references, see page 43)					
	1	2	3	4	5	6
REF.	SP-1ZL-RD-1	SP-1ZL-RD-2	SP-1ZL-RD-3	SP-1ZL-RD-4	SP-1ZL-RD-5	SP-1ZL-RD-6
Price white	€ 1,252	€ 2,203	€ 3,283	€ 4,235	€ 5,315	€ 6,267
REF.	SP-1ZL-RD-1-XX	SP-1ZL-RD-2-XX	SP-1ZL-RD-3-XX	SP-1ZL-RD-4-XX	SP-1ZL-RD-5-XX	SP-1ZL-RD-6-XX
Price colour	€ 1,327	€ 2,352	€ 3,506	€ 4,531	€ 5,686	€ 6,711
REF.	SP-1ZL-RD-1-DXX	SP-1ZL-RD-2-DXX	SP-1ZL-RD-3-DXX	SP-1ZL-RD-4-DXX	SP-1ZL-RD-5-DXX	SP-1ZL-RD-6-DXX
Price decor	€ 1,497	€ 2,687	€ 4,006	€ 5,196	€ 6,515	€ 7,705

* If you choose left-opening doors, substitute the 'RD' with an 'LD' in the reference

With wall on the right



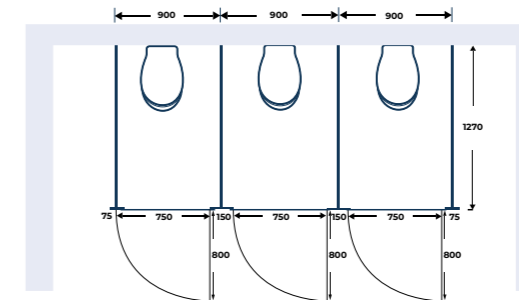
Example:
SP-1ZR-RD-3

# CUBICLES	REFERENTIE* AVAILABLE IN VARIOUS COLOURS (for colour references, see page 43)					
	1	2	3	4	5	6
REF.*	SP-1ZR-RD-1	SP-1ZR-RD-2	SP-1ZR-RD-3	SP-1ZR-RD-4	SP-1ZR-RD-5	SP-1ZR-RD-6
Price white	€ 1,252	€ 2,203	€ 3,283	€ 4,235	€ 5,315	€ 6,267
REF.	SP-1ZR-RD-1-XX	SP-1ZR-RD-2-XX	SP-1ZR-RD-3-XX	SP-1ZR-RD-4-XX	SP-1ZR-RD-5-XX	SP-1ZR-RD-6-XX
Price colour	€ 1,327	€ 2,352	€ 3,506	€ 4,531	€ 5,686	€ 6,711
REF.	SP-1ZR-RD-1-DXX	SP-1ZR-RD-2-DXX	SP-1ZR-RD-3-DXX	SP-1ZR-RD-4-DXX	SP-1ZR-RD-5-DXX	SP-1ZR-RD-6-DXX
Price decor	€ 1,497	€ 2,687	€ 4,006	€ 5,196	€ 6,515	€ 7,705

* If you choose left-opening doors, substitute the 'RD' with an 'LD' in the reference

Without side walls

- Possible with right-opening (RD) or left-opening (LD) doors
- Dimensions: W 900 x D 1,270 mm



Example:
SP-0Z-RD-3

# CABINES	REFERENCE* AVAILABLE IN VARIOUS COLOURS (for colour references, see page 43)					
	1	2	3	4	5	6
REF.	SP-0Z-RD-1	SP-0Z-RD-2	SP-0Z-RD-3	SP-0Z-RD-4	SP-0Z-RD-5	SP-0Z-RD-6
Price white	€ 1,670	€ 2,621	€ 3,702	€ 4,653	€ 5,733	€ 6,685
REF.	SP-0Z-RD-1-XX	SP-0Z-RD-2-XX	SP-0Z-RD-3-XX	SP-0Z-RD-4-XX	SP-0Z-RD-5-XX	SP-0Z-RD-6-XX
Price colour	€ 1,971	€ 2,816	€ 3,970	€ 4,995	€ 6,149	€ 7,174
REF.	SP-0Z-RD-1-DXX	SP-0Z-RD-2-DXX	SP-0Z-RD-3-DXX	SP-0Z-RD-4-DXX	SP-0Z-RD-5-DXX	SP-0Z-RD-6-DXX
Price decor	€ 2,062	€ 3,252	€ 4,571	€ 5,761	€ 7,080	€ 8,269

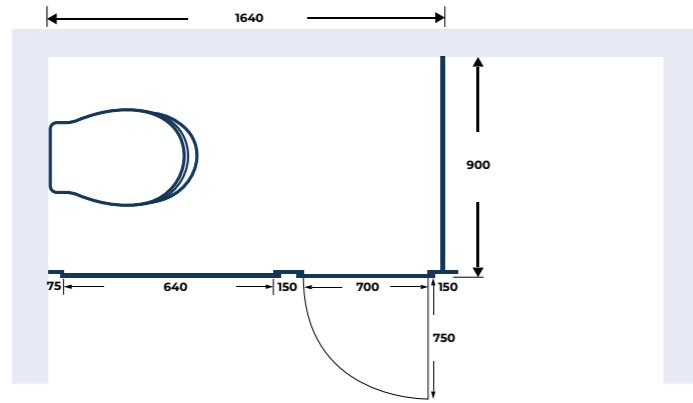
* If you choose left-opening doors, substitute the 'RD' with an 'LD' in the reference

LATERALLY ORIENTED

With wall left or right

- Side wall always required
- Options:
 - wall on the left with doors opening to the right (RD) or to the left (LD) and
 - wall on the right with doors opening to the right (RD) or to the left (LD)
- Dimensions: W 1,640 x D 900 mm

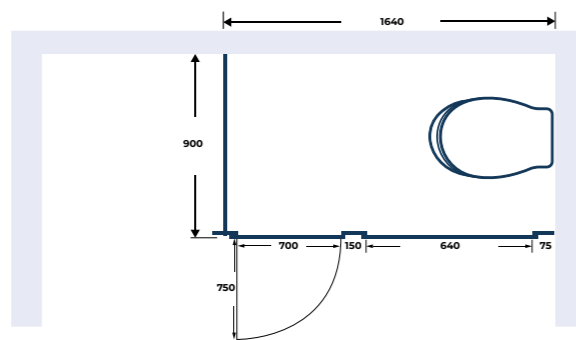
With wall on the left



# CUBICLES	1
REF.	SP-L-1ZL-RD-1
Price white	€ 1,583
REF.	SP-L-1ZR-LD-1-XX
Price colour	€ 1,671
REF.	SP-L-1ZR-LD-1-DXX
Price decor	€ 1,869

* If you choose left-opening doors, substitute the 'RD' with an 'LD' in the reference

With wall on the right



# CUBICLES	1
REF.*	SP-L-1ZR-LD-1
Price white	€ 1,583
REF.	SP-L-1ZR-LD-1-XX
Price colour	€ 1,671
REF.	SP-L-1ZR-LD-1-DXX
Price decor	€ 1,869

* If you choose right-opening doors, substitute the 'LD' with an 'RD' in the reference

CUBICLE FOR WHEELCHAIR USERS AND EXTENSION

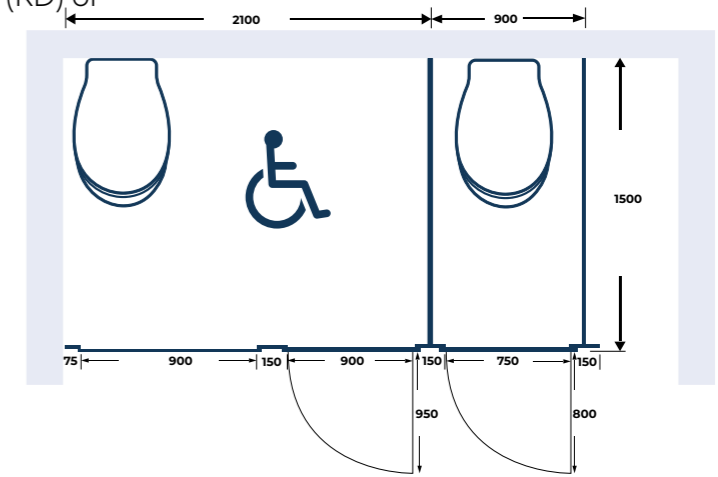


NEED A CUSTOMISED CUBICLE?

With wall left or right

- Side wall always required
- Options:
 - wall on the left with right-opening doors (RD) or left-opening doors (LD) and
 - wall on the right with right-opening doors (RD) or left-opening doors (LD)
- Dimensions: W 3,000 x D 1,500 mm

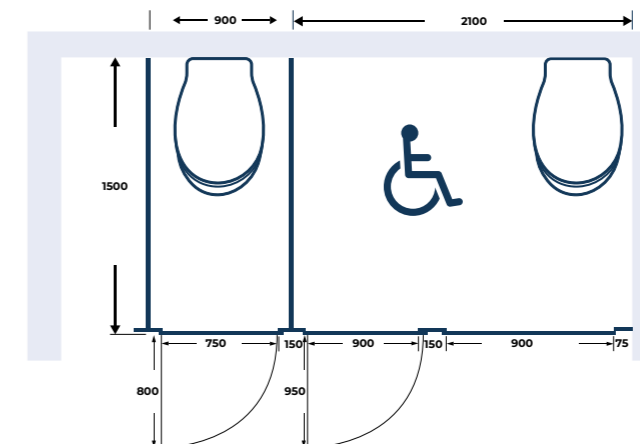
With wall on the left



# CUBICLES	1 wheelchair cubicle + 1 Sancab	1 wheelchair cubicle + 2 Sancab	1 wheelchair cubicle + 3 Sancab	1 wheelchair cubicle + 4 Sancab
REF.	SP-R-1ZL-RD+1-SP	SP-R-1ZL-RD+2-SP	SP-R-1ZL-RD+3-SP	SP-R-1ZL-RD+4-SP
Price white	€ 2,731	€ 3,692	€ 4,783	€ 5,744
REF.	SP-R-1ZL-RD+1-SP-XX	SP-R-1ZL-RD+2-SP-XX	SP-R-1ZL-RD+3-SP-XX	SP-R-1ZL-RD+4-SP-XX
Price colour	€ 2,940	€ 3,981	€ 5,152	€ 6,193
REF.	SP-R-1ZL-RD+1-SP-DXX	SP-R-1ZL-RD+2-SP-DXX	SP-R-1ZL-RD+3-SP-DXX	SP-R-1ZL-RD+4-SP-DXX
Price decor	€ 3,407	€ 4,628	€ 5,978	€ 7,199

* If you choose left-opening doors, substitute the 'RD' with an 'LD' in the reference

With wall on the right



# CABINES	1 wheelchair cubicle + 1 Sancab	1 wheelchair cubicle + 2 Sancab	1 wheelchair cubicle + 3 Sancab	1 wheelchair cubicle + 4 Sancab
REF.	SP-R-1ZR-LD+1-SP	SP-R-1ZR-LD+2-SP	SP-R-1ZR-LD+3-SP	SP-R-1ZR-LD+4-SP
Price white	€ 2,731	€ 3,692	€ 4,783	€ 5,744
REF.	SP-R-1ZR-LD+1-SP-XX	SP-R-1ZR-LD+2-SP-XX	SP-R-1ZR-LD+3-SP-XX	SP-R-1ZR-LD+4-SP-XX
Price colour	€ 2,940	€ 3,981	€ 5,152	€ 6,193
REF.	SP-R-1ZR-LD+1-SP-DXX	SP-R-1ZR-LD+2-SP-DXX	SP-R-1ZR-LD+3-SP-DXX	SP-R-1ZR-LD+4-SP-DXX
Price decor	€ 3,407	€ 4,628	€ 5,978	€ 7,199

* If you choose right-opening doors, substitute the 'LD' with an 'RD' in the reference

DECORATIVE COMPACT MDF (CDF)

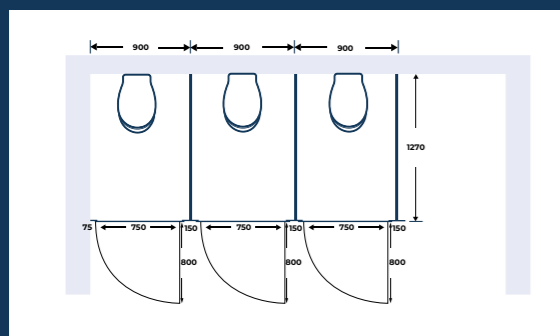
NEW



- For use in humid indoor environments
- Durable, high-quality & budget-friendly alternative to HPL
- Made from 100% reclaimed wood

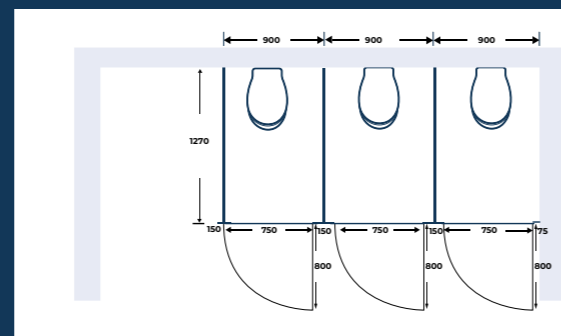
- Dimensions: W 900 x D 1270 mm - thickness: 13 mm
- Decorative compact MDF with an ultra-durable melamine finish
- Panels are standard white but also available in various colors, see page 51.
- With a black core
- All visible metal parts are made of stainless steel
- Floor supports are height-adjustable for a perfectly level installation
- Always requires a rear wall for mounting
- Outward-opening doors for safety
- Choice of left-hinged (LD) or right-hinged (RD) doors (part of the reference)

Uitleg bestelreferentie



Referentie*: CDF-ZL-RD-3

CDF: decorative compact
ZL: Left side wall
RD: Right-hinged doors
3: 3 cabins in series
Standard color (white)



Referentie*: CDF-ZR-RD-3-GRC

CDF: decorative compact
ZR: Right side wall
RD: Right-hinged doors
3: 3 cabins in series
GRC: Grey concrete

* If you prefer a left-hinged door, replace RD in the reference with LD.

NEW

Optional: Stickers for Sancabs

Make Sancabs a fun and inviting space!

From now on, optional stickers can be ordered and easily applied to the cabins. These stickers are perfect for giving the cabins a playful and child-friendly look, for example, in kindergartens.

Add extra color and joy with this new option!

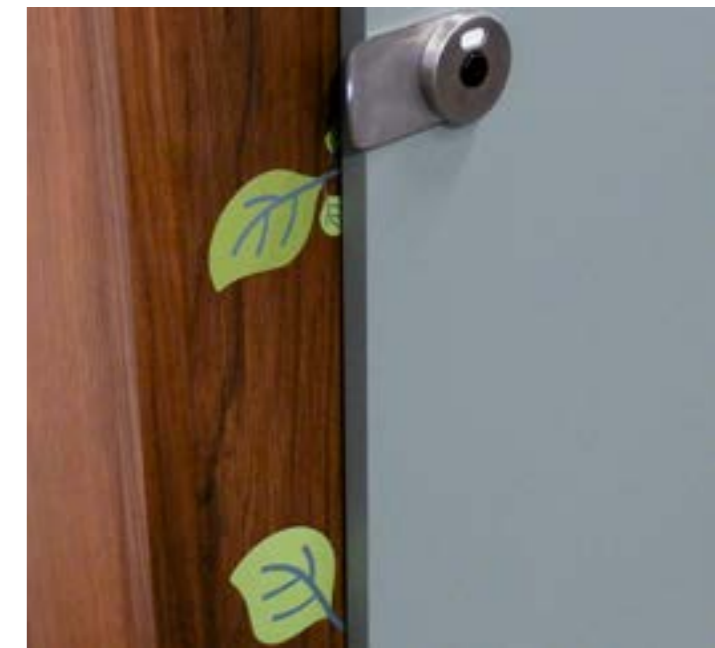
How does it work?

Design choice: Choose from our range of playful designs or have a custom design created to match your school or organization.


Ordering: Contact us to discuss your preferences and receive a personalized quote.




















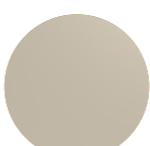


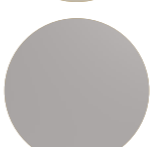


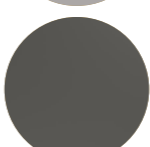
Delivery: The stickers are custom-made and carefully delivered. Application: Thanks to easy-to-follow instructions and user-friendly materials, the stickers can be quickly and effortlessly applied to the cabins.

Application: Thanks to easy-to-follow instructions and user-friendly materials, the stickers can be quickly and effortlessly applied to the cabins.





 Mushroom beige
 Lychee

KLEUR	REF.	KLEUR	REF.	KLEUR	REF.
	Front White FRW		Quartz QRZ		Elephant grey EGR
	Elegant Black ELB		Roasted brown RBR		DECOR Carrara frosted white CFW
	Silicon SLC		Cognac CGN		Pure Concrete light PCL
	Lychee LCH		Industrial green IGR		Lorenzo Walnut medium brown LWB
	Stone grey SGR		Silver blue SVB		Verona Oak VOK
	Shady brown SBR		Green shadow GSH		Robinson Oak beige ROB
	Cloud grey CGR		Mushroom beige MUB		Atlas Oak AOK
	Seashell SSH		City grey CIG		Essential Oak natural EON
	Creamy CRE		Twilight grey TGR		

VERTICALLY ORIENTED

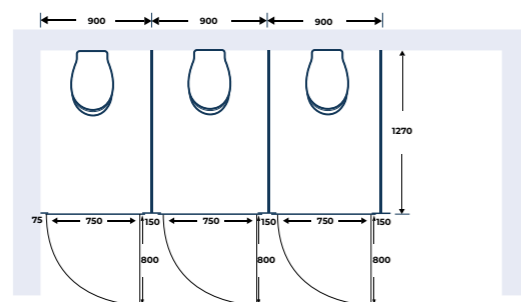


NEED A CUSTOMISED CUBICLE?

With wall left or right

- Options:
 - wall on the left with doors opening to the right (RD) or to the left (LD) and
 - wall on the right with doors opening to the right (RD) or to the left (LD)
- Dimensions: W 900 x D 1,270 mm

With wall on the left

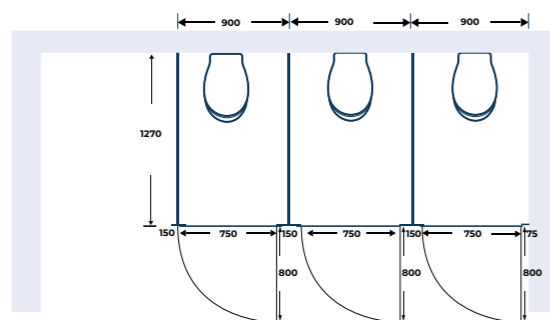


Example:
CDF-1ZL-RD-3

# CUBICLES	REFERENCE* AVAILABLE IN DIFFERENT COLOURS (see page 51)					
	1	2	3	4	5	6
REF.	CDF-1ZL-RD-1	CDF-1ZL-RD-2	CDF-1ZL-RD-3	CDF-1ZL-RD-4	CDF-1ZL-RD-5	CDF-1ZL-RD-6
Price white	€ 1,721	€ 3,134	€ 4,675	€ 6,087	€ 7,629	€ 9,041
REF.	CDF-1ZL-RD-1-XX	CDF-1ZL-RD-2-XX	CDF-1ZL-RD-3-XX	CDF-1ZL-RD-4-XX	CDF-1ZL-RD-5-XX	CDF-1ZL-RD-6-XX
Price colour	€ 1,759	€ 3,208	€ 4,786	€ 6,234	€ 7,812	€ 9,261
REF.	CDF-1ZL-RD-1-DXX	CDF-1ZL-RD-2-DXX	CDF-1ZL-RD-3-DXX	CDF-1ZL-RD-4-DXX	CDF-1ZL-RD-5-DXX	CDF-1ZL-RD-6-DXX
Price decor	€ 2,189	€ 4,055	€ 6,050	€ 7,916	€ 9,911	€ 11,778

* If you choose left-opening doors, substitute the 'RD' with an 'LD' in the reference

With wall on the right



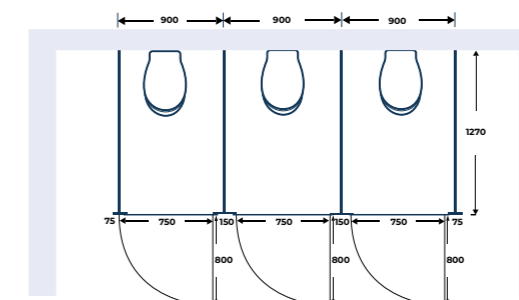
Example:
CDF-1ZR-RD-3

# CUBICLES	REFERENCE* AVAILABLE IN DIFFERENT COLOURS (see page 51)					
	1	2	3	4	5	6
REF.*	CDF-1ZR-RD-1	CDF-1ZR-RD-2	CDF-1ZR-RD-3	CDF-1ZR-RD-4	CDF-1ZR-RD-5	CDF-1ZR-RD-6
Price white	€ 1,721	€ 3,134	€ 4,675	€ 6,087	€ 7,629	€ 9,041
REF.	CDF-1ZR-RD-1-XX	CDF-1ZR-RD-2-XX	CDF-1ZR-RD-3-XX	CDF-1ZR-RD-4-XX	CDF-1ZR-RD-5-XX	CDF-1ZR-RD-6-XX
Price colour	€ 1,759	€ 3,208	€ 4,786	€ 6,234	€ 7,812	€ 9,261
REF.	CDF-1ZR-RD-1-DXX	CDF-1ZR-RD-2-DXX	CDF-1ZR-RD-3-DXX	CDF-1ZR-RD-4-DXX	CDF-1ZR-RD-5-DXX	CDF-1ZR-RD-6-DXX
Price decor	€ 2,189	€ 4,055	€ 6,050	€ 7,916	€ 9,911	€ 11,778

* If you choose left-opening doors, substitute the 'RD' with an 'LD' in the reference

Without side walls

- Possible with right-opening (RD) or left-opening (LD) doors
- Dimensions: W 900 x D 1,270 mm



Example:
CDF-0Z-RD-3

# CUBICLES	REFERENCE* AVAILABLE IN DIFFERENT COLOURS (see page 51)					
	1	2	3	4	5	6
REF.	CDF-0Z-RD-1	CDF-0Z-RD-2	CDF-0Z-RD-3	CDF-0Z-RD-4	CDF-0Z-RD-5	CDF-0Z-RD-6
Price white	€ 2,428	€ 3,840	€ 5,381	€ 6,794	€ 8,335	€ 9,747
REF.	CDF-0Z-RD-1-XX	CDF-0Z-RD-2-XX	CDF-0Z-RD-3-XX	CDF-0Z-RD-4-XX	CDF-0Z-RD-5-XX	CDF-0Z-RD-6-XX
Price colour	€ 2,488	€ 3,936	€ 5,514	€ 6,963	€ 8,541	€ 9,990
REF.	CDF-0Z-RD-1-DXX	CDF-0Z-RD-2-DXX	CDF-0Z-RD-3-DXX	CDF-0Z-RD-4-DXX	CDF-0Z-RD-5-DXX	CDF-0Z-RD-6-DXX
Price decor	€ 3,174	€ 5,040	€ 7,035	€ 8,902	€ 10,897	€ 12,763

* If you choose left-opening doors, substitute the 'RD' with an 'LD' in the reference

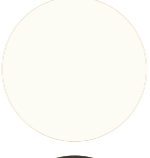
HPL

High Pressure Laminate

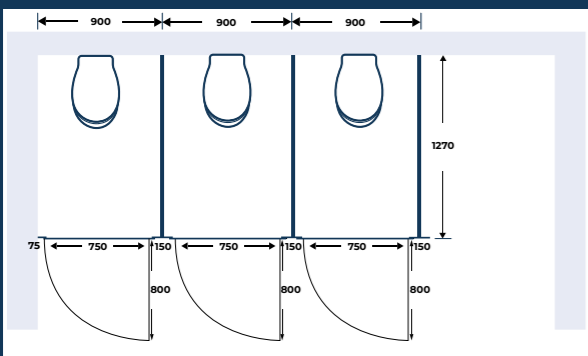


- Dimensions: W 900 x D 1270 mm
- The panels are standard white but also available in various colors (see p. 57).
- With a black core
- All visible metal parts are made of stainless steel
- The floor supports are height-adjustable for a perfectly level installation
- Always requires back wall mounting
- Doors open outward (for safety)
- Choice of left- or right-swinging doors (indicated in the reference)

The HPL partition walls are waterproof and can be cleaned using high-pressure or water jet cleaning.

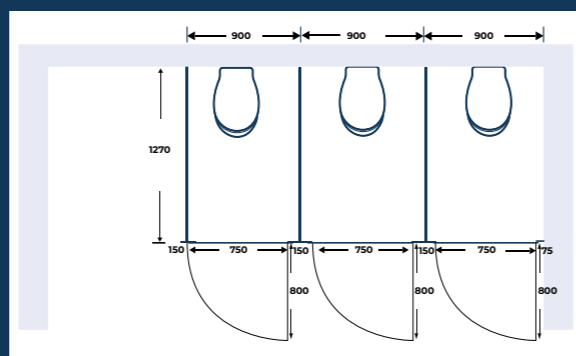
	COLOUR	REF.		COLOUR	REF.
	White	WHI		Taupe	TAU
	Onyx grey	ONG		Kashmir	KAS
	Premium white matt	PWM		White beach	WHB
	Cosmos grey	COG		Grey	GRE
	Soft black matt	SBM		Carini walnut natur	CWN
	Sage green	SAG			

Explanation of the order reference



Referentie*: HPL-ZL-RD-3

HPL: high pressure laminate
 ZL: side wall left
 RD: right-opening doors
 3: 3 cubicles in series
 standard colour (white)



Referentie*: HPL-ZR-RD-3-GRC

HPL: high pressure laminate
 ZR: side wall right
 RD: right-opening doors
 3: 3 cubicles in series
 GRC: grey concrete

* If you choose a left-opening door, substitute the 'RD' with an 'LD'

VERTICALLY ORIENTED

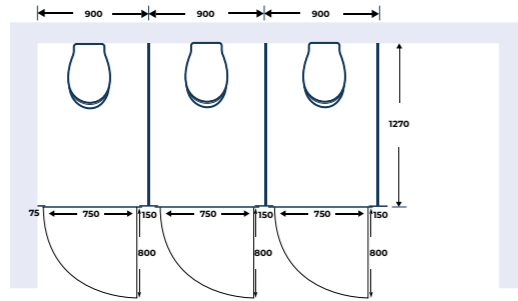
With wall left or right

- Options:
 - wall on the left with doors opening to the right (RD) or to the left (LD) and
 - wall on the right with doors opening to the right (RD) or to the left (LD)
- Dimensions: W 900 x D 1,270 mm



NEED A CUSTOMISED CUBICLE?

With wall on the left



Example:
VK-1ZL-RD-3

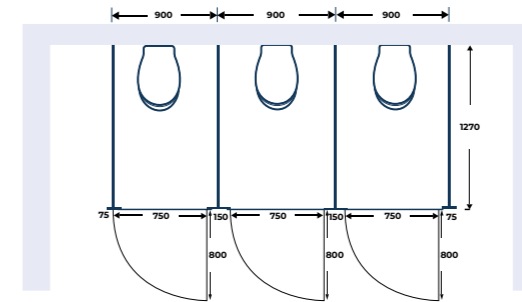
# CUBICLES	1	2	3	4	5	6
REF.*	HPL-1ZL-RD-1	HPL-1ZL-RD-2	HPL-1ZL-RD-3	HPL-1ZL-RD-4	HPL-1ZL-RD-5	HPL-1ZL-RD-6
Price white	€ 1,927	€ 3,541	€ 5,283	€ 6,897	€ 8,640	€ 10254

Price colour prices on request

* If you choose left-opening doors, substitute the 'RD' with an 'LD' in the reference

Without side walls

- Possible with right-opening (RD) or left-opening (LD) doors
- Dimensions: W 900 x D 1,270 mm



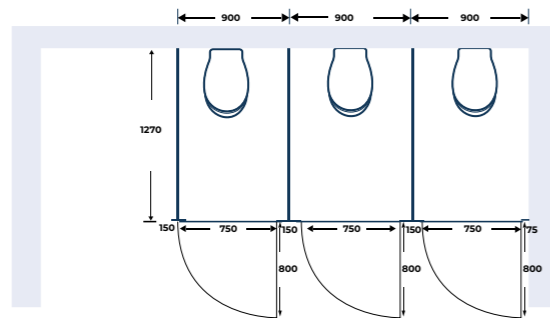
Example:
VK-0Z-RD-3

# CUBICLES	1	2	3	4	5	6
REF.*	HPL-0Z-RD-1	HPL-0Z-RD-2	HPL-0Z-RD-3	HPL-0Z-RD-4	HPL-0Z-RD-5	HPL-0Z-RD-6
Price white	€ 2,973	€ 4,705	€ 6,591	€ 8,323	€ 10,209	€ 11,941

Price colour prices on request

* If you choose left-opening doors, substitute the 'RD' with an 'LD' in the reference

With wall on the right



Example:
VK-1ZR-RD-3

# CUBICLES	1	2	3	4	5	6
REF.*	HPL-1ZR-RD-1	HPL-1ZR-RD-2	HPL-1ZR-RD-3	HPL-1ZR-RD-4	HPL-1ZR-RD-5	HPL-1ZR-RD-6
Price white	€ 1,927	€ 3,541	€ 5,283	€ 6,897	€ 8,640	€ 10254

Price colour prices on request

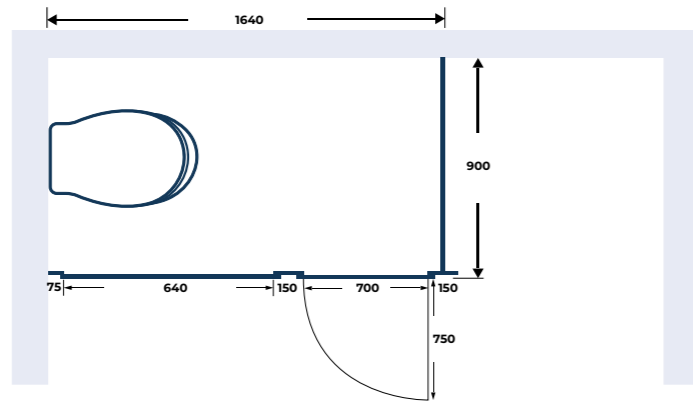
* If you choose left-opening doors, substitute the 'RD' with an 'LD' in the reference

LATERALLY ORIENTED

With wall left or right

- Side wall always required
- Options:
 - wall on the left with doors opening to the right (RD) or to the left (LD) and
 - wall on the right with doors opening to the right (RD) or to the left (LD)
- Dimensions: W 1,640 x D 900 mm

With wall on the left

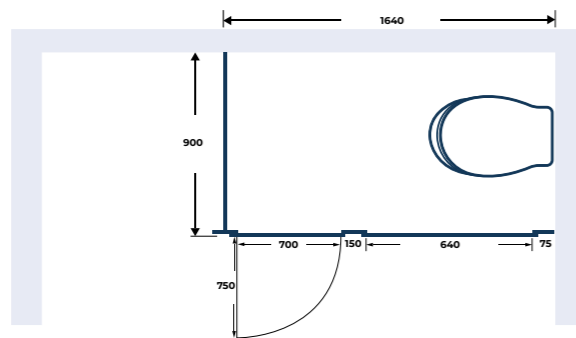


REFERENCE AVAILABLE IN VARIOUS COLOURS (for colour references, see page 57)

# CUBICLES IN SERIES	1
REF.*	HPL-L-1ZL-RD-1
Price white	€ 2,359
Price colour	price on request

* If you choose left-opening doors, substitute the 'RD' with an 'LD' in the reference

With wall on the right



REFERENCE AVAILABLE IN VARIOUS COLOURS (for colour references, see page 57)

# CUBICLES IN SERIES	1
REF.*	HPL-L-1ZR-LD-1
Price white	€ 2,359
Price colour	price on request

* If you choose left-opening doors, substitute the 'RD' with an 'LD' in the reference

SANCAB CUBICLE FOR WHEELCHAIR USERS AND EXTENSION

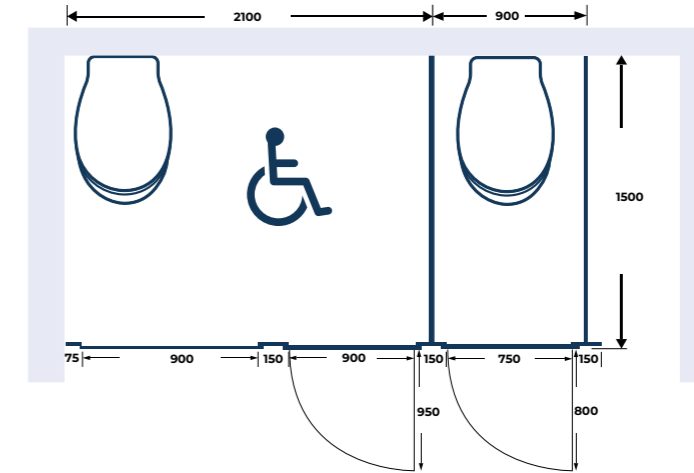


NEED A CUSTOMISED CUBICLE?

With wall left or right

- Side wall always required
- Options:
 - wall on the left with right-opening doors (RD) or left-opening doors (LD) and
 - wall on the right with right-opening doors (RD) or left-opening doors (LD)
- Dimensions: W 3,000 x D 1,500 mm

With wall on the left



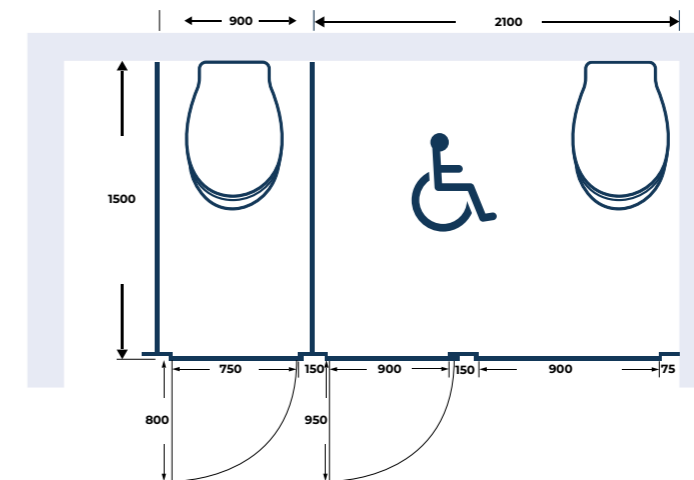
REFERENCE AVAILABLE IN VARIOUS COLOURS (for colour references, see page 57)

# CUBICLES IN SERIES	1 wheelchair cubicle + 1 Sancab	1 wheelchair cubicle + 2 Sancab	1 wheelchair cubicle + 3 Sancab	1 wheelchair cubicle + 4 Sancab	1 wheelchair cubicle + 5 Sancab
REF.*	HPL-R-1ZL-RD+1-HPL	HPL-R-1ZL-RD+2-HPL	HPL-R-1ZL-RD+3-HPL	HPL-R-1ZL-RD+4-HPL	HPL-R-1ZL-RD+5-HPL
Price white	€ 4,603	€ 6,289	€ 8,103	€ 9,789	€ 11,604

Price colour prices on request

* If you choose left-opening doors, substitute the 'RD' with an 'LD' in the reference

With wall on the right



REFERENCE AVAILABLE IN VARIOUS COLOURS (for colour references, see page 57)

# CUBICLES IN SERIES	1 wheelchair cubicle + 1 Sancab	1 wheelchair cubicle + 2 Sancab	1 wheelchair cubicle + 3 Sancab	1 wheelchair cubicle + 4 Sancab	1 wheelchair cubicle + 5 Sancab
REF.*	HPL-R-1ZR-LD+1-HPL	HPL-R-1ZR-LD+2-HPL	HPL-R-1ZR-LD+3-HPL	HPL-R-1ZR-LD+4-HPL	HPL-R-1ZR-LD+5-HPL
Price white	€ 4,603	€ 6,289	€ 8,103	€ 9,789	€ 11,604

Price colour prices on request

* If you choose left-opening doors, substitute the 'RD' with an 'LD' in the reference

WET CUBICLES - FOR SHOWERS

HPL

High Pressure Laminate



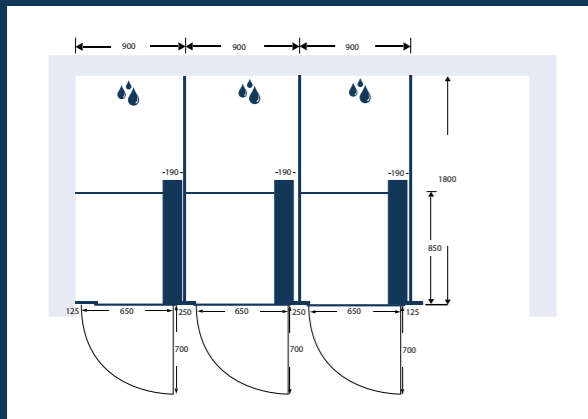
- Dimensions: W 920 x D 1,800 mm
- The panels are in standard white (RAL 9,003), various colours possible, see page 63.
- All visible metal parts are of stainless steel
- The floor supports are height adjustable to enable you to place the installation perfectly level
- With doors opening outwards (for safety)
- Choice to indicate left or right opening doors (part of reference)
- With bench in cubicle

The partition walls are suitable for the installation of shower cubicles as they are resistant to water and may be cleaned by means of high pressure or a water jet. They can also be used as partition panels in toilet areas and changing cubicles.

- Possibility to combine with an own shower or our Thermotub shower cubicle by simply sliding it in.

See page 66 for the options and prices

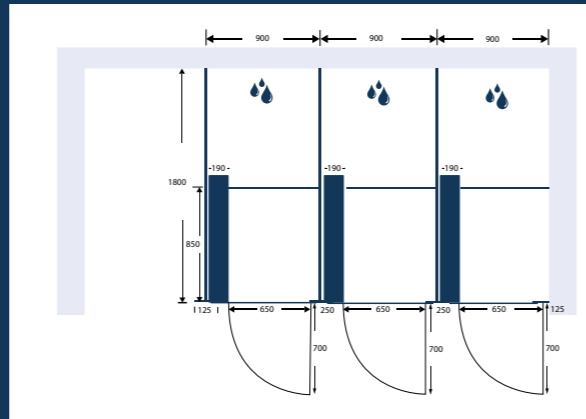
Explanation of the order reference



Reference*: HPLN-ZL-RD-3

HPLN: High Pressure Laminate wet cubicle
 ZL: side wall left
 RD: right-opening doors
 3: 3 cubicles in series
 standard colour (white)

* If you choose a left-opening door, substitute the 'RD' with an 'LD' in the reference



Reference*: HPLN-ZR-RD-3-GRC

HPLN: High Pressure Laminate wet cubicle
 ZL: side wall right
 RD: right-opening doors
 3: 3 cubicles in series
 GRC: grey concrete

COLOUR	REF.	COLOUR	REF.
	White WHI		Taupe TAU
	Onyx grey ONG		Kashmir KAS
	Premium white matt PWM		White beach WHB
	Cosmos grey COG		Grey GRE
	Soft black matt SBM	DECOR	
	Sage green SAG		Carini walnut natur CWN

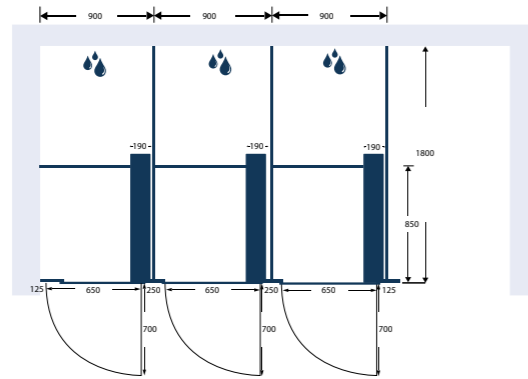


VERTICALLY ORIENTED

- Dimensions: W 920 x D 1,800 mm
- Options:
 - wall on the left with doors opening to the right (RD) or to the left (LD) and
 - wall on the right with doors opening to the right (RD) or to the left (LD)



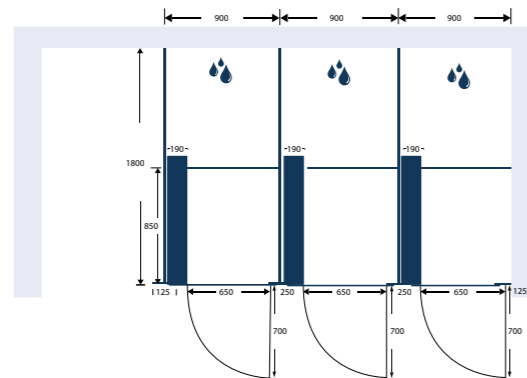
With wall on the left



# CUBICLES IN SERIES	1	2	3	4	5	6
REF.*	HPLN-1ZL-RD-1	HPLN-1ZL-RD-2	HPLN-1ZL-RD-3	HPLN-1ZL-RD-4	HPLN-1ZL-RD-5	HPLN-1ZL-RD-6
Price white	€ 2,631	€ 4,874	€ 7,375	€ 9,618	€ 12118	€ 14362
Price colour	price on request					

* If you choose left-opening doors, substitute the 'RD' with an 'LD' in the reference

With wall on the right

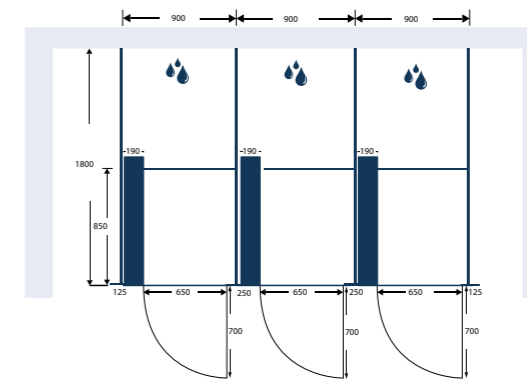


# CUBICLES IN SERIES	1	2	3	4	5	6
REF.*	HPLN-1ZR-RD-1	HPLN-1ZR-RD-2	HPLN-1ZR-RD-3	HPLN-1ZR-RD-4	HPLN-1ZR-RD-5	HPLN-1ZR-RD-6
Price white	€ 2,631	€ 4,874	€ 7,375	€ 9,618	€ 12118	€ 14362
Price colour	price on request					

* If you choose left-opening doors, substitute the 'RD' with an 'LD' in the reference

- Dimensions: W 920 x D 1,800 mm
- Options with doors opening to the right (RD) or to the left (LD)

Without side walls



# CUBICLES IN SERIES	1	2	3	4	5	6
REF.*	HPLN-0Z-RD-1	HPLN-0Z-RD-2	HPLN-0Z-RD-3	HPLN-0Z-RD-4	HPLN-0Z-RD-5	HPLN-0Z-RD-6
Price white	€ 3,643	€ 5,886	€ 8,387	€ 10630	€ 13131	€ 15374
Price colour	price on request					

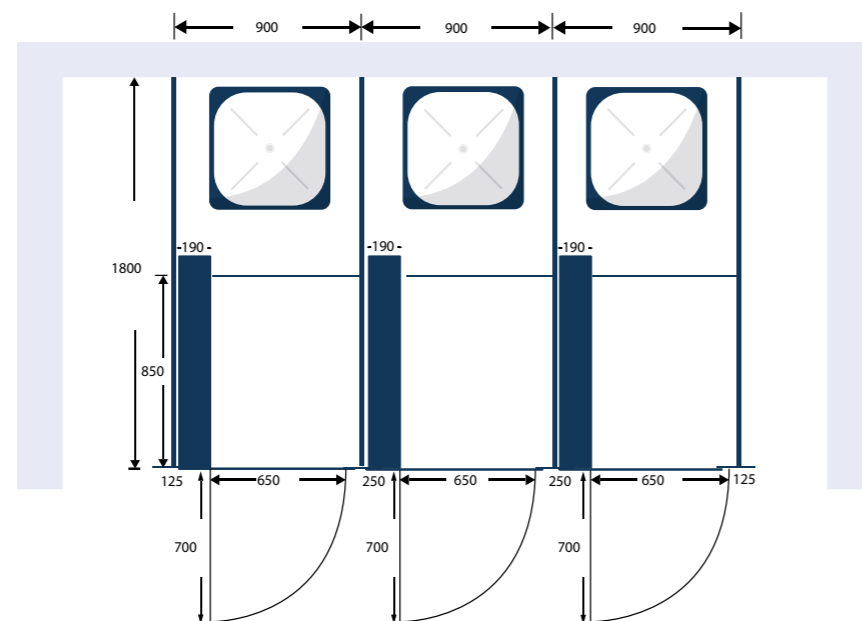
* If you choose left-opening doors, substitute the 'RD' with an 'LD' in the reference



PLUG & PLAY SHOWER CUBICLE

- No alterations needed (drain and syphon integrated in the pedestal)
- A shower can be installed in the place of a washbasin
- Made entirely of aluminium and finished with white epoxy coating RAL 9,010
- Plastic decorative curtain (SA11) or artificial glass doors (diamond SA15)
- Soap dish as standard
- Choice of various shower fittings
- Supplied as a construction kit to ensure quick assembly
- Dimensions: W 900 x D 800 mm

Would you also like to use our Thermotub shower cubicle in a wet cell (solid core)?



You should add the price of the Thermotub shower to the price of the solid core wet cubicles, see pages 70-73.

CHOICE OF SHOWER FITTINGS



Type 35:
Double lever mixer tap with hand shower and slide bar



Type 12
Single lever mixer tap with hand shower and slide bar



Type 23
Thermostatic tap with hand shower and slide bar.



Type 27
Vandal-resistant, self-closing tap

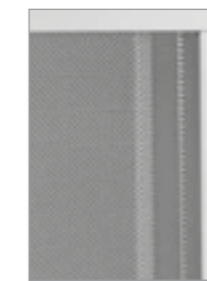
Types 35, 12 and 23: Taps with ceramic seals, luxury 3-spray anti-limestone hand shower. Including: two 1/2" connection hoses, length 180 cm and drain hose.

Type 27: Special version intended for public spaces - vandal-resistant. Fixed shower head. Including one 1/2" connection hose, length 180 cm and drain hose.

CHOICE OF SHOWER ENCLOSURE



SA11
Curtain



SA15
Diamond plastic glass

REFERENCE	DESCRIPTION	Double lever mixer tap with hand shower and slide bar Type 35	Single lever mixer tap with hand shower and slide bar Type 12	Thermostatic tap with hand shower and slide bar Type 23	Vandal-resistant self-closing tap with fixed shower head Type 27
SA11-...	with curtain	€ 1,691	€ 1,884	€ 1,907	€ 1,664
SA15-...	doors "diamond"	€ 1,898	€ 2,091	€ 2,114	€ 1,873

SANISPRAY®

Ergonomic Hand Wash Fountains in Stainless Steel and White Synthetic Marble



Our Sanispray wash fountains are the ideal solution for maximizing open space.

They are centrally placed in the room and provide a handwashing system for a group of people at the same time.

A Sanispray wash fountain is the best choice because the soap and paper dispensers can be integrated. This prevents soap or water from spilling onto the floor.

The faucets of the Sanispray washbasins are carefully positioned at the right height and distance from the edge, allowing users to wash their hands in a comfortable posture.

CONTENTS

FEATURES	72-73
SOAP SYSTEMS	74-75
SOAP DISPENSERS & REFILLS	76-77
SANISPRAY STANDARD	78-81
M2	78
M3P	78
M3D	79
M3R	79
M3DS	80
M5	80
ISN	81
M9	81
SANISPRAY FOR WHEELCHAIR USERS	82-83
M2	82
M3P	82
M3D	82
M3R	83
M3DS	83
M9	83
SANISPRAY FOR CHILDREN	84-85
M2	84
M3DS	84
M9	85
OPTIONS	88

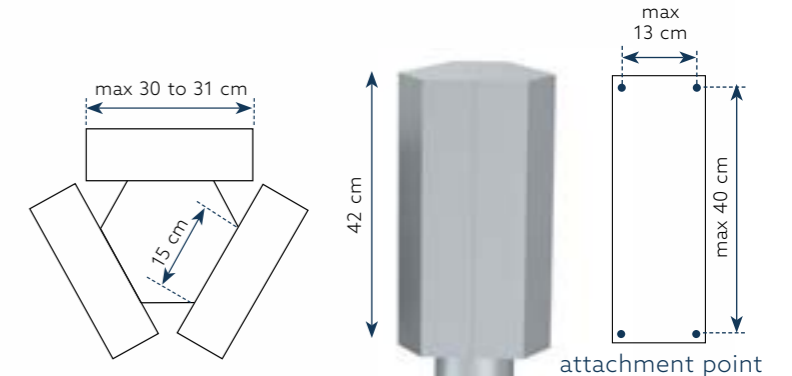
FEATURES

WATER AND SOAP DISPENSER HEAD

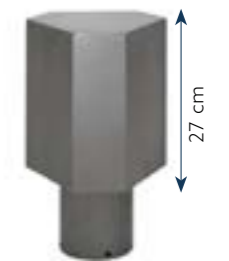


• Optimal ergonomics for both adults and children

HOLDER FOR THREE PAPER DISPENSERS



DS42



DS40

THREE BOWL DIAMETERS: 99, 113 & 137 CM

• White synthetic marble bowls: more luxurious communal sanitary installations

BOWL TOP EDGE HEIGHTS

- Standard: ± 85 cm
- Raised: ± 95 cm
- Wheelchair users: ± 83 cm (always with white synthetic marble bowl, 113 cm)
- Children:
 - 3 years: ± 50 cm
 - 4 years: ± 60 cm
 - 5 years: ± 65 cm

OPTION FOR COLORED STRUCTURES AND HEADS: CREATIVE POSSIBILITIES



SERE

Electronic soap dispensers based on a filling system (6-litre container)* with integrated level indicator in the dispenser head; (only possible in combination with 220V electronic taps with transformer = M9T and ISNT).

SMRE

Mechanical soap dispensers based on a filling system (6-litre container)* with integrated level indicator in the dispenser head; (only possible in combination with 220V electronic taps with transformer = M9T and ISNT).

SMR

Mechanical soap dispensers based on a filling system (6-litre container)* without level indicator, integrated in the dispenser head.

SM

Mechanical soap dispensers with soap bags integrated in the dispenser head (not possible on F-heads and cannot be combined with paper dispenser holder DS42).

SP

An existing wash fountain can be equipped with this soap dispenser. It is suitable for all types of Intersan soap pouches.

* 6 litre container not possible in children's versions 50 and 60 cm.

ST

Soap or nail brush holder under the water dispenser head.

SOAP FILLING SYSTEM

For the SERE, SMRE, SMR soap systems, a filling system is integrated in the dispenser head, so that the soap reservoir can be refilled from the top.

The level of soap can be conveniently monitored through an optional **level indicator** (green / orange / red LED) located on the side of the soap and water dispenser head. Filling is done with the aid of the filling funnel supplied.



THE SOAPS

SOAP BAGS* FOR SM AND SP



- Features a leak-free connection, making the contents fully usable
- The three Intersan soap types are pure, without unnecessary thickening agents, so that you need only a small amount of soap for optimal foaming.
- The soaps have the correct viscosity (liquidity), so no blockage of the soap system



OPTIONS

INTEGRATED SOAP DISPENSER SYSTEMS

- Electronic soap dispensers based on a filling system (6 litre container) with electronic level indicator, integrated into the dispenser head (220 V required).

REFERENCE	# TAPS	# SOAP	PRICE
SERE2*	4	2	€ 1,914
SERE3*	6	3	€ 2,529
SERE4*	8	4	€ 3,144

* Only applicable to the M9 taps

- Mechanical soap dispensers based on a filling system (6 litre container) with electronic level indicator, integrated into the dispenser head (220 V required).

REFERENCE	# TAPS	# SOAP	PRICE
SMRE2*	4	2	€ 1,399
SMRE3*	6	3	€ 1,765
SMRE4*	8	4	€ 2,132

* Only applicable to the M9 taps

- Mechanical soap dispensers based on a filling system (6 litre container) without level indicator, integrated into the dispenser head.

REFERENCE	# TAPS	# SOAP	PRICE
SMR2*	4	2	€ 1,073
SMR3	6	3	€ 1,439
SMR4	8	4	€ 1,806

* Not in combination with paper dispenser holder DS42

- Mechanical soap dispensers with integrated soap bags in the dispenser head.*

REFERENCE	# TAPS	# SOAP	PRICE
SM2*	4	2	€ 700
SM3	6	3	€ 1,050
SM4	8	4	€ 1,400

* Not in combination with paper dispenser holder DS42

COMBINATION POSSIBILITIES OF THE SOAP AND PAPER DISPENSERS

All models of the round Sanispray washbasins offer the possibility of an integrated soap dispenser so that paper dispensers can be installed above the water and soap dispenser head in order to prevent soap and/or water droplets from falling on the floor.

COMPOSITION AND OPTIONS	SERE	SMRE	SMR	SE	SM	SP
electronic soap dispenser (220V required)	•	-	-	-	-	-
electronic soap dispenser (batteries or 220V required)	-	-	-	•	-	-
mechanical soap dispenser	-	•	•	-	•	-
6-litre container with filling system without level indicator (not possible at children's heights of 50 and 60 cm)	-	-	•	-	-	-
6-litre container with filling system with level indicator (220V required) (not possible at children's heights of 50 and 60 cm)	•	•	-	-	-	-
soap bags in the head (not possible on the F-heads and cannot be combined with paper dispenser holder DS42)	-	-	-	•	•	•
SP liquid soap dispenser that is mounted on top of the Sanispray	-	-	-	-	-	•
DS42* paper dispenser holder	•	•	•	-	-	•
ST brush or soap holder under the head	•	•	•	•	•	•

* Cannot be ordered after purchasing a Sanispray because of the soap system in the head

REFILLS

SOAPS

- Optimal foaming by means of a small amount of soap
 - Without unnecessary thickeners.
 - Packaging unit: 0.8 L (per box of 12 bags)
- The contents is completely used up thanks to the hermetic pouch connector connection to the soap dispenser



ROSÉ CARING HAND SOAP

- Skin-friendly universal hand soap
- Suitable for public wash rooms, schools, sports & leisure, light industry, etc.
- Warm fruity scent
- Gentle cleaning

	1 box 12 x 0.8 L
REF.	HL-ED
PRICE	€ 188



BLUE HEAVY DUTY HAND SOAP

- Skin-friendly deep cleansing hand soap
- Suitable for heavy industry, garages, workshops, etc.
- Refreshing perfume

	1 box 12 x 0.8 L
REF.	HDL-ED
PRICE	€ 194



GREEN ANTISEPTIC SOAP

- Skin-friendly disinfectant hand soap
- Suitable for the agriculture & food industry, hospitality sector, laboratories, medical cabinets, etc.
- Subtle neutral fragrance, unscented

	1 box 12 x 0.8 L
REF.	AL-ED
PRICE	€ 193

SANISPRAY STANDARD

M2 CERAMIC TAP

- Preset flow rate 12 L/min. (at 3 bar)



Ø	TAPS	REFERENCE HEIGHT = 85 cm	REFERENCE HEIGHT = 95 cm	PRICE
99 cm	4	M2 - 99 - 4 - 85	M2 - 99 - 4 - 95	€ 5,838
99 cm	6	M2 - 99 - 6 - 85	M2 - 99 - 6 - 95	€ 5,979
113 cm	6	M2 - 113 - 6 - 85	M2 - 113 - 6 - 95	€ 5,979
113 cm	8	M2 - 113 - 8 - 85	M2 - 113 - 8 - 95	€ 6,121
137 cm	8	M2 - 137 - 8 - 85	M2 - 137 - 8 - 95	€ 6,209

M3P PRESTO SELF-CLOSING TAP

- Running time 15 seconds (± 5 seconds depending on the water pressure)
- Preset flow rate 3 L/min. (at 3 bar)



Ø	TAPS	REFERENCE HEIGHT = 85 cm	REFERENCE HEIGHT = 95 cm	PRICE
99 cm	4	M3P - 99 - 4 - 85	M3P - 99 - 4 - 95	€ 6,120
99 cm	6	M3P - 99 - 6 - 85	M3P - 99 - 6 - 95	€ 6,320
113 cm	6	M3P - 113 - 6 - 85	M3P - 113 - 6 - 95	€ 6,320
113 cm	8	M3P - 113 - 8 - 85	M3P - 113 - 8 - 95	€ 6,520



M3D DELABIE SELF-CLOSING TAP

- Running time 7 seconds
- Preset flow rate 3 L/min. (at 3 bar),
- Flow control between 1.4 and 6 L/min.



Ø	TAPS	REFERENCE HEIGHT = 85 cm	REFERENCE HEIGHT = 95 cm	PRICE
99 cm	4	M3D - 99 - 4 - 85	M3D - 99 - 4 - 95	€ 6,120
99 cm	6	M3D - 99 - 6 - 85	M3D - 99 - 6 - 95	€ 6,320
113 cm	6	M3D - 113 - 6 - 85	M3D - 113 - 6 - 95	€ 6,320
113 cm	8	M3D - 113 - 8 - 85	M3D - 113 - 8 - 95	€ 6,520

M3R RIVER SELF-CLOSING TAP

- Running time adjustable between 0 and 30 seconds
- 7 L/min



Ø	TAPS	REFERENCE HEIGHT = 85 cm	REFERENCE HEIGHT = 95 cm	PRICE
99 cm	4	M3R - 99 - 4 - 85	M3R - 99 - 4 - 95	€ 6,120
99 cm	6	M3R - 99 - 6 - 85	M3R - 99 - 6 - 95	€ 6,320
113 cm	6	M3R - 113 - 6 - 85	M3R - 113 - 6 - 95	€ 6,320
113 cm	8	M3R - 113 - 8 - 85	M3R - 113 - 8 - 95	€ 6,520

M3DS

DELABIE SELF-CLOSING TAP soft touch



- Soft touch suitable for children and wheelchair users
- Running time 7 seconds
- Preset flow rate 3 L/min. (at 3 bar)
- Flow control between 1.5 and 6 L/min.



Ø	TAPS	REFERENCE HEIGHT = 85 cm	REFERENCE HEIGHT = 95 cm	PRICE
113 cm	6	M3DS - 113 - 6 - 85	M3DS - 113 - 6 - 95	€ 6,522
113 cm	8	M3DS - 113 - 8 - 85	M3DS - 113 - 8 - 95	€ 6,789
137 cm	8	M3DS - 137 - 8 - 85	M3DS - 137 - 8 - 95	€ 6,789

M5

CENTRE HOLE MIXER TAP



- Flow rate: 13.8 L/min. at 3 bar
- Spout length: 104 mm
- Check valve on request

Ø	TAPS	REFERENCE HEIGHT = 85 cm	REFERENCE HEIGHT = 95 cm	PRICE
99 cm	4	M5 - 99 - 4 - 85	M5 - 99 - 4 - 95	€ 6,764
99 cm	6	M5 - 99 - 6 - 85	M5 - 99 - 6 - 95	€ 7,016
113 cm	6	M5 - 113 - 6 - 85	M5 - 113 - 6 - 95	€ 7,016
113 cm	8	M5 - 113 - 8 - 85	M5 - 113 - 8 - 95	€ 7,269
137 cm	8	M5 - 137 - 8 - 85	M5 - 137 - 8 - 95	€ 7,269



ISN

ELECTRONIC SPRAY NOZZLES



- Power supply: battery (B) or mains (T)
- Flow rate: 6 l/min at 3 bar
- Runtime: as long as detection is active, with a maximum of 90 seconds
- Recommendation: dirt filter available on request

ISNT

Ø	TAPS	REFERENCE HEIGHT = 85 cm	REFERENCE HEIGHT = 95 cm	PRICE
99 cm	4	ISNB - 99 - 4 - 85	ISNB - 99 - 4 - 95	€ 7,611
99 cm	6	ISNB - 99 - 6 - 85	ISNB - 99 - 6 - 95	€ 8,153
113 cm	6	ISNB - 113 - 6 - 85	ISNB - 113 - 6 - 95	€ 8,153
113 cm	8	ISNB - 113 - 8 - 85	ISNB - 113 - 8 - 95	€ 8,696
137 cm	8	ISNB - 137 - 8 - 85	ISNB - 137 - 8 - 95	€ 8,696
99 cm	4	ISNT - 99 - 4 - 85	ISNT - 99 - 4 - 95	€ 7,611
99 cm	6	ISNT - 99 - 6 - 85	ISNT - 99 - 6 - 95	€ 8,153
113 cm	6	ISNT - 113 - 6 - 85	ISNT - 113 - 6 - 95	€ 8,153
113 cm	8	ISNT - 113 - 8 - 85	ISNT - 113 - 8 - 95	€ 8,153
137 cm	8	ISNT - 137 - 8 - 85	ISNT - 137 - 8 - 95	€ 8,153

M9

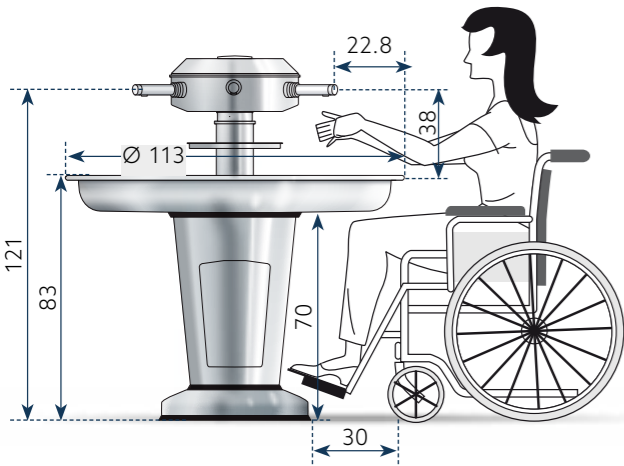
ELEKTRONIC TAP



- Power supply: battery (B) or mains (T)
- Flow rate: 6 l/min at 3 bar
- Runtime: as long as detection is active, with a maximum of 90 seconds
- Legionella flushing can be activated via remote control
- Recommendation: dirt filter available on request

Ø	KRANEN	REFERENTIE HOOGTE = 85 cm	REFERENTIE HOOGTE = 95 cm	PRIJS
99 cm	4	M9B - 99 - 4 - 85	M9B - 99 - 4 - 95	€ 7,611
99 cm	6	M9B - 99 - 6 - 85	M9B - 99 - 6 - 95	€ 8,153
113 cm	6	M9B - 113 - 6 - 85	M9B - 113 - 6 - 95	€ 8,153
113 cm	8	M9B - 113 - 8 - 85	M9B - 113 - 8 - 95	€ 8,696
137 cm	8	M9B - 137 - 8 - 85	M9B - 137 - 8 - 95	€ 8,696
99 cm	4	M9T - 99 - 4 - 85	M9T - 99 - 4 - 95	€ 7,611
99 cm	6	M9T - 99 - 6 - 85	M9T - 99 - 6 - 95	€ 8,153
113 cm	6	M9T - 113 - 6 - 85	M9T - 113 - 6 - 95	€ 8,153
113 cm	8	M9T - 113 - 8 - 85	M9T - 113 - 8 - 95	€ 8,696
137 cm	8	M9T - 137 - 8 - 85	M9T - 137 - 8 - 85	€ 8,696

SANISPRAY FOR WHEELCHAIR USERS



In sanitary facilities, **at least one washbasin per group of washbasins must be accessible to wheelchair users**, as well as various amenities such as a mirror, soap dispenser, hand dryer, clothes hooks and towel racks. These amenities or parts of the furniture must be able to be used by someone **in a standing or sitting position**. For this purpose, their **height must be between 90 cm and 1.30 m above the floor**.

In order to meet the **standards for wheelchair users**, a space of **70 cm is required under the washbasin, a width of 60 cm** (between the legs of washbasin furniture, if any), and the washbasin edge should be at a max. height of 85 cm (i.e. the height of the washbasin itself no more than 15 cm) with a **depth of 30 cm** to have sufficient space for the wheelchair and the legs under the washbasin.

- Preset flow rate 12 L/min. (at 3 bar)

M2 CERAMIC TAP



Ø	TAPS	REFERENCE HEIGHT = 83 cm	PRICE
113 cm	6	M2 - VC113 - 6 - 83	€ 6,876
113 cm	8	M2 - VC113 - 8 - 83	€ 7,017

M3P PRESTO SELF-CLOSING TAP



- Running time 15 seconds (± 5 seconds depending on the water pressure)
- Preset flow rate 3 L/min. (at 3 bar)
- Vandal-resistant flow rate setting (4 positions).

Ø	TAPS	REFERENCE HEIGHT = 83 cm	PRICE
113 cm	6	M3P - VC113 - 6 - 83	€ 7,217
113 cm	8	M3P - VC113 - 8 - 83	€ 7,417

M3D DELABIE SELF-CLOSING TAP



- Running time 7 seconds
- Preset flow rate 3 L/min. (at 3 bar),
- Flow control between 1.5 and 6 L/min.

Ø	TAPS	REFERENCE HEIGHT = 83 cm	PRICE
113 cm	6	M3D - VC113 - 6 - 83	€ 7,217
113 cm	8	M3D - VC113 - 8 - 83	€ 7,417

M3R RIVER SELF-CLOSING TAP



- Running time adjustable between 0 and 30 seconds
- 7 L/min

Ø	TAPS	REFERENCE HEIGHT = 83 cm	PRICE
113 cm	6	M3R - VC113 - 6 - 83	€ 7,217
113 cm	8	M3R - VC113 - 8 - 83	€ 7,417

M3DS DELABIE SELF-CLOSING TAP soft touch



- Soft touch suitable for children and wheelchair users
- Running time 7 seconds
- Preset flow rate 3 L/min. (at 3 bar)
- Flow control between 1.5 and 6 L/min.

Ø	TAPS	REFERENCE HEIGHT = 83 cm	PRICE
113 cm	6	M3DS - VC113 - 6 - 83	€ 7,418
113 cm	8	M3DS - VC113 - 8 - 83	€ 7,686

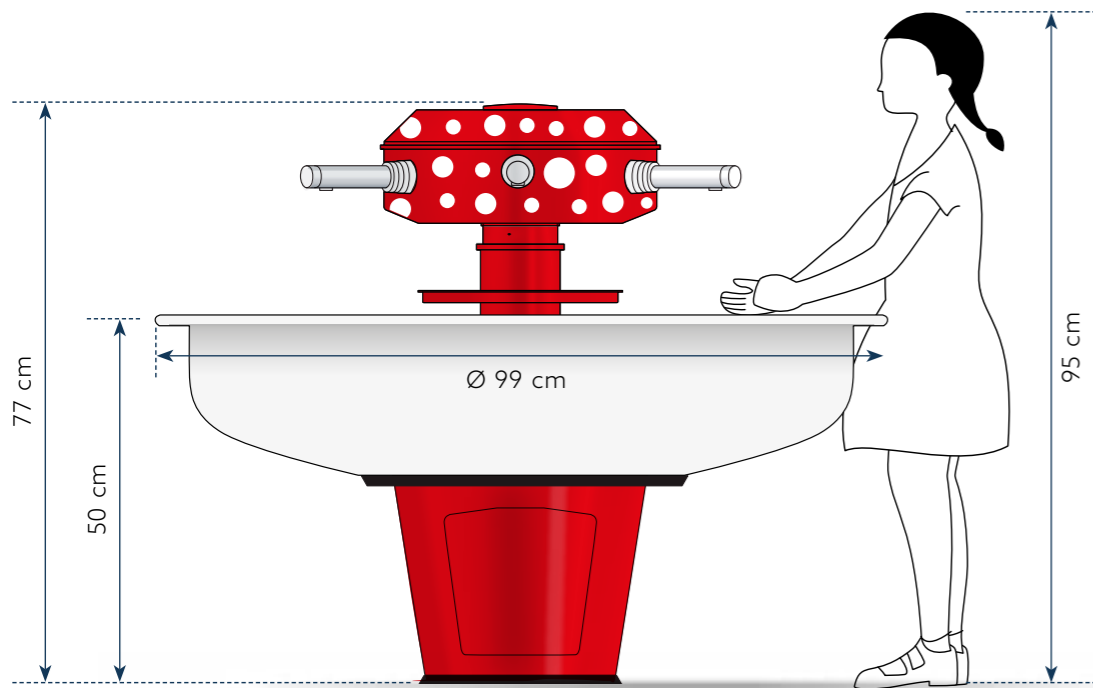
M9 ELECTRONIC TAP



- Battery powered (B) or mains power supply (T)
- Flow rate: 6 L/min. at 3 bar
- Running time: as long as there is detection with a maximum of 90 seconds
- Legionella flushing can be activated with remote control on request
- Advice: dirt filter on request

Ø	TAPS	REFERENCE HEIGHT = 83 cm	PRICE
113 cm	6	M9B - VC113 - 6 - 83	€ 9,051
113 cm	8	M9B - VC113 - 8 - 83	€ 9,594
113 cm	6	M9T - VC113 - 6 - 83	€ 9,051
113 cm	8	M9T - VC113 - 8 - 83	€ 9,594

SANISPRAY FOR CHILDREN



AGE CHILD	SIZE CHILD	HEIGHT BOWL
3 years	± 96 cm	50 cm
4 years	± 104 cm	60 cm
5 years	± 110 cm	65 cm

M9 ELECTRONIC TAP



- Battery powered (B) or mains power supply (T)
- Flow rate: 6 L/min. at 3 bar
- Running time: as long as there is detection with a maximum of 90 seconds
- Legionella flushing can be activated with remote control on request
- Advice: dirt filter on request

Ø	TAPS	REFERENCE HEIGHT = 50 cm	REFERENCE HEIGHT = 60 cm	REFERENCE HEIGHT = 65 cm	PRICE	ADDITIONAL PRICE OPTIONS C, D or E
99 cm	6	M9B - 99 - 6 - 50	M9B - 99 - 6 - 60	M9B - 99 - 6 - 65	€ 8,153	€ 1,861
99 cm	8	M9B - 99 - 8 - 50	M9B - 99 - 8 - 60	M9B - 99 - 8 - 65	€ 8,696	
99 cm	6	M9T - 99 - 6 - 50	M9T - 99 - 6 - 60	M9T - 99 - 6 - 65	€ 8,153	
99 cm	8	M9T - 99 - 8 - 50	M9T - 99 - 8 - 60	M9T - 99 - 8 - 65	€ 8,696	

M2 CERAMIC TAP



- Preset flow rate 12 L/min. (at 3 bar)

Ø	TAPS	REFERENCE HEIGHT = 50 cm	REFERENCE HEIGHT = 60 cm	REFERENCE HEIGHT = 65 cm	PRICE	ADDITIONAL PRICE OPTIONS C, D or E
99 cm	6	M2 - 99 - 6 - 50	M2 - 99 - 6 - 60	M2 - 99 - 6 - 65	€ 5,979	€ 1,861
99 cm	8	M2 - 99 - 8 - 50	M2 - 99 - 8 - 60	M2 - 99 - 8 - 65	€ 6,121	

M3DS DELABIE SELF-CLOSING TAP



- Flow rate: 3 L/min. at 3 bar, adjustable between 1.4 and 6 L/min.
- Running time: 7 seconds

Ø	TAPS	REFERENCE HEIGHT = 50 cm	REFERENCE HEIGHT = 60 cm	REFERENCE HEIGHT = 65 cm	PRICE	ADDITIONAL PRICE OPTIONS C, D or E
99 cm	6	M3DS - 99 - 6 - 50	M3DS - 99 - 6 - 60	M3DS - 99 - 6 - 65	€ 6,522	€ 1,861
99 cm	8	M3DS - 99 - 8 - 50	M3DS - 99 - 8 - 60	M3DS - 99 - 8 - 65	€ 6,789	

FUN VERSIONS



MUSHROOM

REF.	MEER- PRIJS
C	€ 1,861



DINO

REF.	MEER- PRIJS
D	€ 1,861



STER

REF.	MEER- PRIJS
E	€ 1,861





COLOUR COMBINATIONS

- Five possible combinations:
 - stainless steel structure, bowl and head
 - stainless steel structure and head, white composite bowl
 - stainless steel structure, white composite bowl and white head
 - coloured structure and head, stainless steel bowl
 - coloured structure and head, white composite bowl

COLOUR	COLOUR CODE	K	S
white	W RAL 9,003	€ 611	
grey	G RAL 7,037		
yellow	J RAL 1,023		
orange	O RAL 2,000		
green	V RAL 6,024		
red	R RAL 3,020		
blue	B RAL 5,010		
black	Z RAL 9,005		



SOAP OR NAIL BRUSH HOLDER

- Is mounted under the water dispenser head



REF.	PRICE
ST	€ 359

LIQUID SOAP DISPENSER

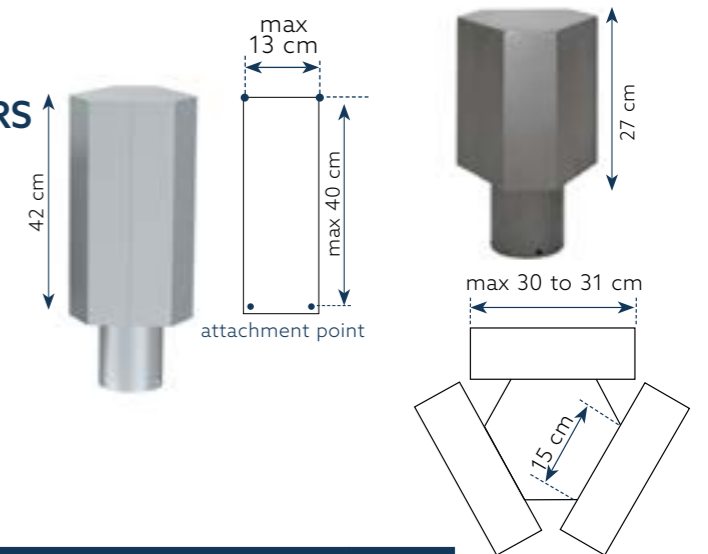
- This liquid soap dispenser is mounted on top of the Sanispray, facilitating its later addition without complications. The soap dispenser is suitable for all Intersan soap bags.



REFERENCE	PRICE
SP	€ 906

HOLDER FOR THREE PAPER DISPENSERS

- Not suitable on heads with SM and SE



REF.	PRICE	HEIGHT	TOTAL HEIGHT
DS42	€ 537	height: 42 cm	(total: 56 cm)
DS40	€ 360	height: 27 cm	(total: 41 cm)

THERMOSTAT AND HOT WATER PRESSURE REGULATOR (INSTALLED)

TH + SDR (15 → 1,5 - 5 bar) (onbruikbaar met • M5, zie pagina 41 en met M6, zie pagina 43 • lage voet 50 en 60 cm, zie pagina XX)

PRICE
€ 718

STAINLESS STEEL HOUSING FOR WATER SUPPLY VIA THE CEILING

CA2 (tot 2 m boven de Sanispray-kop)
CA3 (tot 3 m boven de Sanispray-kop)

PRICE
€ 894
€ 1,211

MAINTENANCE KIT

- Contents: cleaning materials, rust remover and cleaning supplies for maintenance



REF.	PRICE
OKK: 100 ml	€ 33
OKG: 250 ml	€ 53



HOW TO PERFORM MAINTENANCE?

The Sanset product range from Intersan furnishes communal buildings with robust and hygienic stainless steel solutions.

Robust

These sanitary appliances were specially designed for intensive use in various sectors. The stainless steel design ensures it can withstand heavy loads, is resistant to wear and scratches, and withstands chemical products.

Hygienic

Stainless steel resists the development of bacteria. The shiny, hard and smooth stainless steel surface prevents bacteria from adhering quickly. So, this development doesn't establish itself as much as it does on other materials.

Full range

The variety within the Sanset range allows for a solution to be offered for every situation in public buildings. There are also models designed for installation with a technical space, suitable for locations like prisons that require an indestructible setup.

You are always welcome to contact us to design a customised project with you.

CONTENTS

WASHBASIN	90
SINK	91
DRINKING FOUNTAIN	92
UTILITY SINK	93
SEPARATOR	94
PLASTER SEPARATOR	94
BABY BATH	95
MIRROR	95
TOILET	96
URINAL	96
URINAL PARTITIONS	97
COMMUNAL URINAL	98
PARTITIONS FOR COMMUNAL URINAL	99



Delivery time: 1 week

WASHBASIN



- Wall model
- Drain connection (not incl.): Ø 45 mm
- LAV1M: with tap hole Ø 35 mm
- Finish: satin gloss

REF.	PRICE
LAV1	€ 558
LAV1M	€ 558



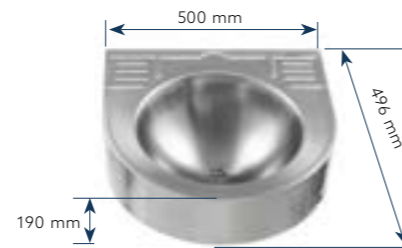
- Wall model
- Drain connection (not incl.): Ø 45 mm
- LAV2M: with tap hole Ø 35 mm
- Finish: satin gloss

REF.	PRICE
LAV2	€ 575
LAV2M	€ 575



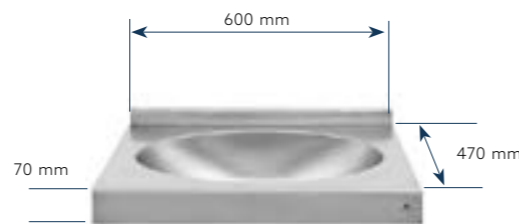
- With knee control
- With overflow, syphon and tap
- Including drain grid, drain plug, screw
- Finish: satin gloss

REF.	PRICE
LAV6	€ 609



- Wall model
- Including perforated drain grid
- LAV5M: with tap hole Ø 35 mm
- Finish: satin gloss

REF.	PRICE
LAV5	€ 481
LAV5M	€ 481



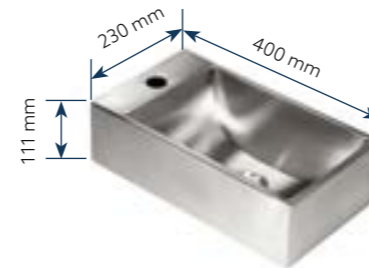
- Wall model
- Including perforated drain grid
- LAV8M: with tap hole Ø 35 mm
- Finish: satin gloss

REF.	PRICE
LAV8	€ 571
LAV8M	€ 614



- With foot control
- With overflow, syphon and tap
- Including drain grid, drain plug, screw
- Finish: satin gloss

REF.	PRICE
LAV7	€ 715



- Stainless steel 304 washbasin for small rooms
- Attach to a cupboard or a wall by means of assembly brackets
- Pressed from one piece
- Supplied with drain, without overflow

REF.*	TAP HOLE Ø 35 mm	PRICE
1080673	no	€ 308
1080672*	yes	€ 308

* Tap hole optionally left or right



- Stainless steel 304 washbasin for public areas
- With or without tap hole
- Supplied with overflow

REF.*	TAP HOLE Ø 35 mm	PRICE
1080352	nee	€ 226
1080353*	ja	€ 226

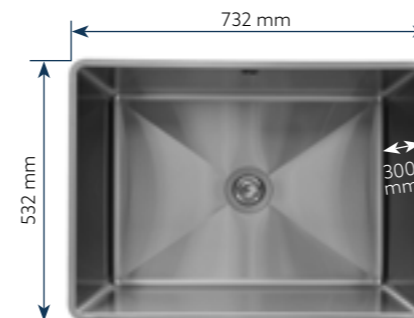
* Tap hole optionally left or right

- Stainless steel 304 washbasin with sleek design and integrated bracket
- With overflow
- With or without tap hole

REF.*	TAP HOLE Ø 35 mm	PRICE
1080473	nee	€ 408
1080476*	ja	€ 408

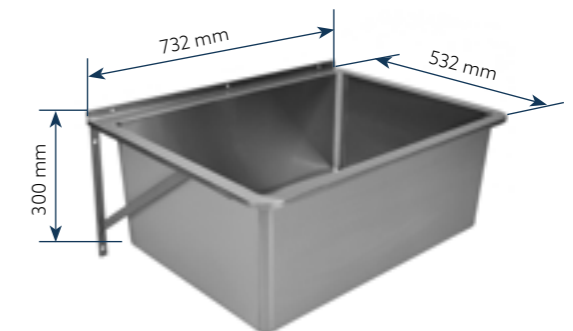
* Tap hole optionally left or right

SINK



- Stainless steel industrial sink for inset or welding
- With or without wall overflow

REF.*	OVERFLOW	PRICE
1085708	nee	€ 399
1085709	ja	€ 399



- Stainless steel industrial sink for wall mounting
- Supplied with mounting brackets and materials

REF.*	OVERFLOW	PRICE
1085710	nee	€ 499
1085711	ja	€ 499

DRINKING FOUNTAIN



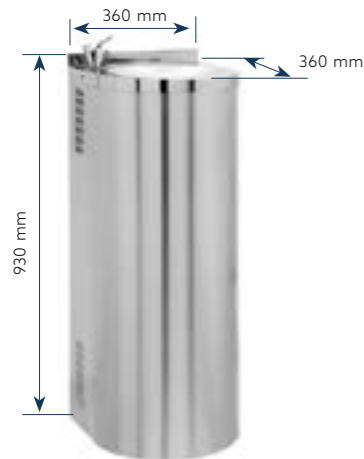
- Wall model
- Including water bubbler
- Highly polished bowl; brushed skirt
- Including drain grid, drain plug, screw

REF.	PRICE
FOUNTAIN1	€ 625



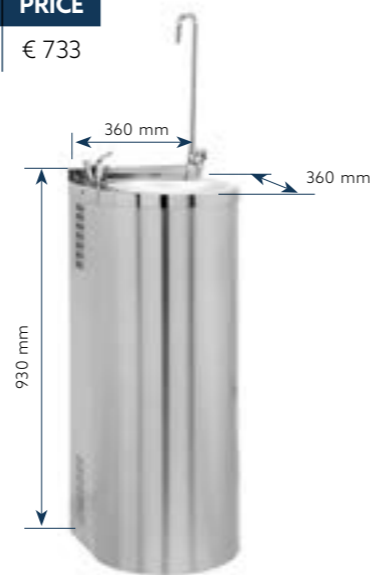
- Wall model
- Including water bubbler and bottle filler
- Highly polished bowl; brushed skirt
- Including drain grid, drain plug, screw and syphon

REF.	PRICE
FOUNTAIN2	€ 733



- Standing model
- Including water bubbler
- Highly polished bowl; brushed skirt
- Including drain grid, drain plug, screw and syphon

REF.	PRICE
FOUNTAIN3	€ 748



- Standing model
- Including water bubbler and bottle filler
- Highly polished bowl; brushed skirt
- Including drain grid, drain plug, screw and syphon

REF.	PRICE
FOUNTAIN4	€ 787

NEW



REF.	PRICE
FOUNTAIN6	on demand

BUCKET SINK



- Stainless steel 304
- Splash guard, foldable bucket and drain grid 1 1/2"

REF.	PRICE
1080401	€ 135



- Stainless steel 304
- Splash guard, demountable bucket and drain grid 1 1/2"

REF.	PRICE
1080402	€ 172



- Stainless steel 304
- Wash trough with ribbed front plate
- Supplied with plastic mounting brackets and materials

REF.*	PRICE
1080468	€ 508



- Stainless steel 304
- Wash trough with ribbed front plate
- Supplied with plastic mounting brackets and materials

REF.*	TAP HOLE	PRICE
1085535	no	€ 217
1085696	yes, on the right	€ 244



- Stainless steel 304
- Wash trough with ribbed front plate
- For wall mounting
- Supplied with plastic mounting brackets and materials

REF.*	TAP HOLE	PRICE
1085536	no	€ 268
1085697	yes, on the right	€ 295

ARE YOU LOOKING FOR MORE POSSIBILITIES?

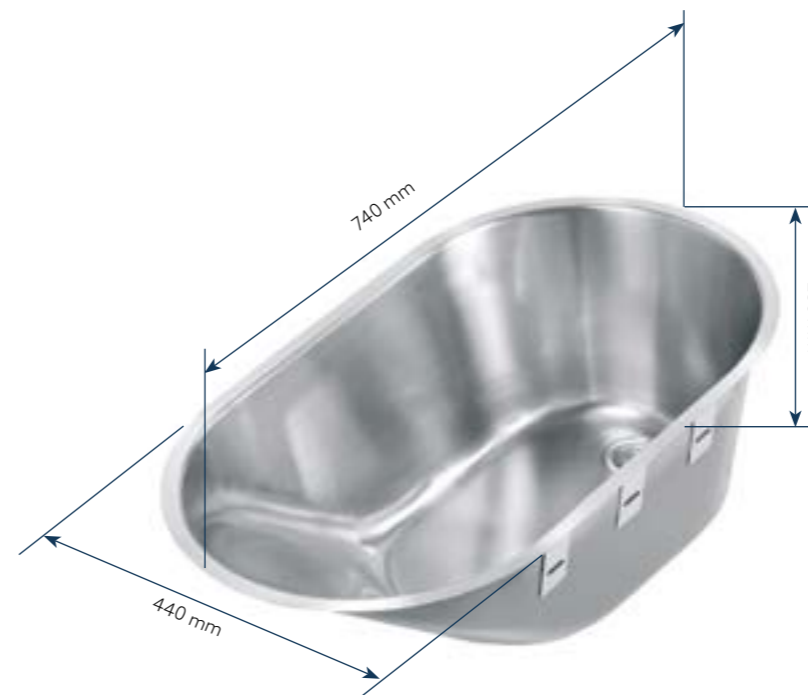
SEPARATOR



- Stainless steel 304
- Capacity 3.5 L
- Ideal for filtering sand from water
- Supplied with a flexible outlet for straight or curved installation options
- No syphon needed

REF.	PRICE
1080148	€ 191

BABY BATH



- Flat inset assembly
- 6 mounting clips
- Without wall overflow, with plug and chain

REF.	PRICE
1085180	€ 663
1080051*	€ 635

* Minimum purchase 5 pieces

ARE YOU LOOKING FOR MORE POSSIBILITIES?

PLASTER SEPARATOR



- Stainless steel 304
- 1½" drain connection
- Ideal for filtering plaster, small and other heavy substances from wastewater
- No syphon needed

REF.	PRICE
1080010	€ 1,044

MIRROR



- Vandal-resistant mirror
- Available in three sizes
- With concealed attachment or with attachment holes

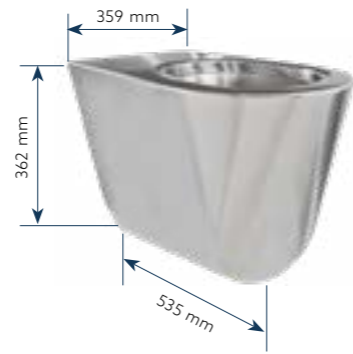
REF.	DIMENSIONS W x H mm	CONCEALED ASSEMBLY	WITH ATTACHMENT HOLES	PRICE
1085343	600 x 400	ja	nee	€ 188
1085344		nee	ja	€ 155
1085453	500 x 400	ja	nee	€ 160
1085454		nee	ja	€ 129
1085455	600 x 500	ja	nee	€ 236
1085456		nee	ja	€ 195

TOILET



- Conical standing model
- Supply horizontal Ø 56 mm
- Drain H/P Ø 100 mm
- Mounting with the aid of a 3 mm thick screw-off stainless steel back plate
- WC1M: with seat mounting holes

REF.	PRICE
WC1	€ 1,135
WC1M	€ 1,160



- Conical wall model
- Supply horizontal Ø 56 mm
- Drain H/P Ø 100 mm
- Mounting with the aid of a 3 mm thick screw-off stainless steel back plate
- WC2M: with seat mounting holes

REF.	PRICE
WC2	€ 1,109
WC2M	€ 1,160

OPTION



BLACK SEAT IN ABS

REF.	PRICE
SEAT2	€ 201

URINAL



- Skirt: Stainless steel 304 - 1.5 mm
- Rectangular wall model
- Including drain grid + drain plug + screw + syphon (P-syphon 1½", 40 mm)
- Front mounting, four screws included (inspection hatch)
- Pre-assembled spray nozzle
- UR2V: supply ½" vertical (at the top)
- UR2H: supply ½" horizontal (at the back)

REF.	PRICE
UR2V	€ 886
UR2H	€ 886

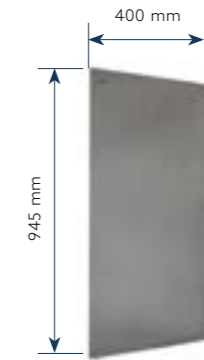
URINAL PARTITIONS

WALL PARTITION



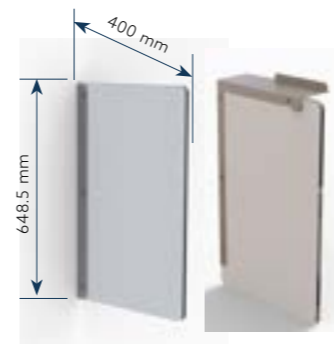
- Fibreboard with laminate decor and trimmed with impact-resistant PVC edge
- Wall mounting with stainless steel profile over the entire length of the panel

REF.	PRICE
BC900W	€ 145



- Stainless steel panel with wall mounting concealed in the panel

REF.	PRICE
Wing	€ 583



- Solid core/HPL white panel, wall mounting with coated stainless steel bracket with optional hanging hook on the left and support surface on the right
- Other colours on request

REF.	PRICE
BC1000	€ 351

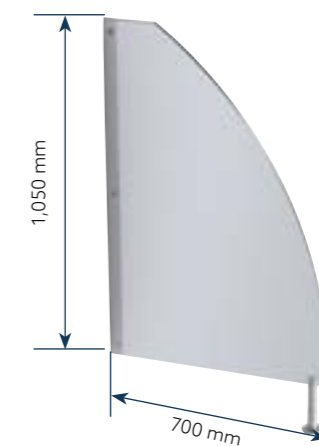
FLOOR PARTITION



- Solid core/HPL panel
- Provides discrete and vandal-resistant shielding

REF.	PRICE
TSG	€ 606

CHILD TOILET PARTITION



- Solid core/HPL panel
- Provides discrete shielding

REF.	PRICE
TSK	€ 576

WOULD YOU LIKE MORE INFORMATION?

COMMUNAL URINAL

ELECTRONIC FLUSHING SYSTEM

- Urinal, electronic on mains power
- 220 V power supply (T), including transformer, or on battery (B)

REF.	SIZE (mm)	PRICE
URC2-M9T	1200	€ 1,791
URC3-M9T	1800	€ 2,378
URC4-M9T	2400	€ 3,005
URC5-M9T	3000	€ 3,598

REF.	SIZE (mm)	PRICE
URC2-M9B	1200	€ 1,781
URC3-M9B	1800	€ 2,380
URC4-M9B	2400	€ 2,985
URC5-M9B	3000	€ 3,589

SELF-CLOSING FLUSHING SYSTEM

- Urinal with self-closing manual flush

REF.	SIZE (mm)	PRICE
URC2-M3	1200	€ 1,716
URC3-M3	1800	€ 2,284
URC4-M3	2400	€ 2,855
URC5-M3	3000	€ 3,428

OPTION

LEGS



REF.	PRICE
PUR	€ 476

URINAL WITH SKIRT



PRICE ON DEMAND

PARTITIONS

FOR COMMUNAL URINAL



- Made of stainless steel
- Is installed between the different urinals, thus creating a separation and providing more privacy

REF.	PRICE
TSU	€ 368



WOULD YOU LIKE MORE INFORMATION?

Discover the extensive Sankit range, a product line from Intersan specifically designed for kitchens, bars, and catering, with a focus on high-quality stainless steel products.

Our range includes work tables, workstation sinks, worktop cupboards, wall cabinets and chef's shelves, made of durable stainless steel 430. These are also available in stainless steel 304 on request. We offer the following standard sizes: 1,400 mm, 1,600 mm and 2,000 mm, but each product is fully available in various sizes and arrangements.

We aim for perfection and offer the possibility of customisation down to the centimetre.

Feel free to contact us to discuss and realise your custom project.

CONTENTS

WORK TABLES	102
WORKSTATION SINKS	103
WORKTOP CUPBOARDS	104
WALL CABINETS	105
WALL SHELVES	106
CHEF'S SHELVES	107



Delivery time: 4 weeks

WORK TABLES

- Stainless steel 430
- Worktop without undershelf
- With or without upstands
- Depth 600 mm or 700 mm
- Length 1,400 mm, 1,600 mm or 2,000 mm
- Height 900 mm
- Top 0.8 mm thick, turndown 40 mm, overhang 15 mm, reinforcement tube 25 x 25 on the sides + at the rear, square tubular 40 mm legs connected by stainless steel profile (legs adjustable up to 65 mm)



REF.	DIMENSIONS L x W x H mm	PRICE
WT6-14	1400 x 600 x 900	€ 571
WT6-16	1600 x 600 x 900	€ 604
WT6-20	2000 x 600 x 900	€ 674
WT7-14	1400 x 700 x 900	€ 594
WT7-16	1600 x 700 x 900	€ 629
WT7-20	2000 x 700 x 900	€ 702

- With upstand 100 x 20 mm



REF.	DIMENSIONS L x W x H mm	PRICE
WTB6-14	1400 x 600 x 900	€ 624
WTB6-16	1600 x 600 x 900	€ 658
WTB6-20	2000 x 600 x 900	€ 730
WTB7-14	1400 x 700 x 900	€ 648
WTB7-16	1600 x 700 x 900	€ 684
WTB7-20	2000 x 600 x 900	€ 757

Also available in the following versions

- High finish
- Stainless steel 304
- Height 500 mm, 600 mm, 700 mm or 850 mm
- Depth 500 mm, 600 mm or 700 mm
- Length 500 mm – 2900 mm



NEED A CUSTOMISED TABLE?

WORKSTATION SINKS

- Stainless steel 430
- One or two sinks optionally left or right
- Workstation sink with underframe with or without undershelf
- Drainer left or right
- The worktop is welded onto the legs on the inside of the surround
- The stainless steel legs (40 x 40 mm) are 65 mm height adjustable (850 - 915 mm high)



Installation cost management = plug-in

- Ready for use
- Fully mounted and delivered in protective packaging
- No mechanical connections
- No stability loss risk



- With underframe without undershelf
- Two sinks on the left (2L) or on the right (2R) 400 x 500 x 250 mm
- Drainer right (VR) or left (VL)

REF.	DIMENSIONS L x W x H mm	DRAINER	PRICE
SP7-14-2L-VR	1400 x 700 x 900	right	€ 1,029
SP7-14-2R-VL	1400 x 700 x 900	left	€ 1,029
SP7-16-2L-VR	1600 x 700 x 900	right	€ 1,065
SP7-16-2R-VL	1600 x 700 x 900	left	€ 1,065
SP7-20-2L-VR	2000 x 700 x 900	right	€ 1,226
SP7-20-2R-VL	2000 x 700 x 900	left	€ 1,226



- With underframe and undershelf
- Two sinks on the left (2L) or on the right (2R) 400 x 500 x 250 mm
- Drainer right (VR) or left (VL)

REF.	DIMENSIONS L x W x H mm	DRAINER	PRICE
SPO7-14-2L-VR	1400 x 700 x 900	right	€ 1,200
SPO7-14-2R-VL	1400 x 700 x 900	right	€ 1,200
SPO7-16-2L-VR	1600 x 700 x 900	right	€ 1,334
SPO7-16-2R-VL	1600 x 700 x 900	left	€ 1,334
SPO7-20-2L-VR	2000 x 700 x 900	right	€ 1,468
SPO7-20-2R-VL	2000 x 700 x 900	right	€ 1,468

Also available in the following versions

- High finish
- Stainless steel 304
- Height 850 mm
- Depth 600 mm
- Length 600 mm – 2400 mm

- On cupboard with one or two sinks, with sliding doors or folding doors
- With underframe without undershelf with recess for dishwasher, with one or two sinks
- With underframe and undershelf with recess for dishwasher, with one or two sinks
- On cupboard with recess for dishwasher, with one or two sinks, with sliding doors

WORKTOP CUPBOARDS

- Stainless steel 430
- Worktop cupboard with double-walled sliding doors with profiled handles over the entire height
- Depth 600 mm or 700 mm
- Length 1400 mm, 1600 mm or 2000 mm
- Stainless steel top, 1.5 mm thick, with turndown 400 mm and overhang 15 mm, raised edge of 100 x 20, reinforced with a white 18 mm laminated sheet. Turndown of 40 mm, return of 15 mm and reinforced by three stainless steel omegas over the entire length.
- Round adjustable stainless steel legs attached to the undershelf.



REF.	DIMENSIONS L x D x H mm	PRICE
TK6-14	1400 x 600 x 900	€ 1,173
TK6-16	1600 x 600 x 900	€ 1,247
TK6-20	2000 x 600 x 900	€ 1,415
TK7-14	1400 x 700 x 900	€ 1,276
TK7-16	1600 x 700 x 900	€ 1,364
TK7-20	2000 x 700 x 900	€ 1,561

Also available in the following versions

- Stainless steel 304
- Height 850 mm
- Depth 700 mm or 800 mm
- Length 1000 mm – 2900 mm
- Worktop cupboard with upstand
- Worktop cupboard with hinged doors
- Option with utility sinks = chef's worktop cupboard

WALL CABINETS

- Stainless steel 430
- Wall cabinet with double-walled sliding doors with profiled handles over the entire height
- Supplied with three stainless steel shelf brackets 1.5 mm thick at the back.



REF.	DIMENSIONS L x D x H mm	PRICE
MK4-14	1400 x 400 x 600	€ 1,028
MK4-16	1600 x 400 x 600	€ 1,103
MK4-20	2000 x 400 x 600	€ 1,279

Also available in the following versions

- Stainless steel 304
- Height 400 mm, 500 mm, 700 mm or 800 mm
- Depth 300 mm, 500 mm or 600 mm
- Length 500 mm – 2900 mm
- Wall cabinets with hinged doors
- Open wall cabinets



**NEED A CUSTOMISED
CABINET?**

WALL SHELVES

- Stainless steel 430
- Length 1400 mm, 1600 mm or 2000 mm
- One level
- Shelf with three compressed turndowns of 40 mm downwards and compressed upstand of 35 mm.
- Adjustable stainless steel supports, 1.5 mm thick with wall brackets
- Depth 300 mm



REF.	DIMENSIONS L x W x H mm	ADJUSTABLE SUPPORS AND BRACKETS	PRICE
MR3-14	1400 x 300	2	€ 181
MR3-16	1600 x 300	2	€ 193
MR3-20	2000 x 300	3	€ 249

Also available in the following versions

- Stainless steel 304
- High finish
- Depth 250 mm, 350 mm, 400 mm, 450 mm or 500 mm
- Length 400 mm - 2900 mm
- Flat wall shelf with 2 or 3 levels
- Open wall shelf with 1 or 2 levels
- Standard shelf with 3, 4 or 5 levels

CHEF'S SHELVES

- Stainless steel 430
- Length 1400 mm, 1600 mm or 2000 mm
- Chef's shelf with 2 levels
- Reinforced with omega, tube 25 x 25 mm
- Supplied with PVC mounting system
- Depth 300 mm



REF.	DIMENSIONS L x W x H mm	PRICE
CE3-14	1400 x 300 x 700	€ 356
CE3-16	1600 x 300 x 700	€ 372
CE3-20	2000 x 300 x 700	€ 408

Also available in the following versions

- Stainless steel 304
- High finish
- Depth 250 mm, 350 mm, 400 mm, 450 mm or 500 mm
- Length 400 mm - 2900 mm
- Chef's shelf, 1 level or 3 levels



NEED A CUSTOMISED SHELF?

The taps that are mounted on our Sanilav washing troughs and Sanispray wash fountains can be ordered separately. We offer both washbasin taps and wall taps as a solution for each type of user in each type of utility.

Intersan taps allow significant water savings, while guaranteeing continued comfort for the user. So, the water saved also contributes to energy savings. Our electronic and self-closing taps provide the highest level of hygiene for the user: the absence of manual contact after rinsing prevents the spread of germs through the hands.

Discover our selection of taps and do not hesitate to contact us to design a customised project with you.

WALL TAPS	110
WASHBASIN TAPS	111



Delivery date: 2 weeks

WALL TAPS



CERAMIC SELF-CLOSING TAP

- Maximum flow rate: 12 L/min. at 3 bar / 12L

REF.	PRICE
M2	€ 70



RIVER SELF-CLOSING TAP

- Flow rate: 7 L/min. at 3 bar
- Running time: 0 - 30 seconds, adjustable by means of Allen key

REF.	PRICE
M3R	€ 100



DELABIE SOFT-TOUCH SELF-CLOSING TAP

- Flow rate: 3 L/min. at 3 bar, adjustable between 1.4 and 6 L/min.
- Running time: 7 seconds

REF.	PRICE
M3DS	€ 137



CENTRE HOLE MIXER TAP

- Flow rate: 13.8 L/min. at 3 bar
- Spout length: 104 mm
- Check valve on request

REF.	PRICE
M5	€ 118



SELF-CLOSING MIXER TAP

- Check valve on request
- Running time 15 seconds

REF.	PRICE
M8	€ 510



PRESTO SELF-CLOSING TAP

- Flow rate: 3 L/min. at , adjustable in 4 positions
- Running time: 15 seconds

REF.	PRICE
M3P	€ 118



DELABIE SELF-CLOSING TAP

- Maximum flow rate: 3 L/min. at 3 bar, adjustable between 1.4 and 6 L/min.
- Running time: 7 seconds

REF.	PRICE
M3D	€ 97



TAP WITH ELBOW CONTROL

- Flow rate: 12 L/min. at 3 bar
- Spout length: 151 mm

REF.	PRICE
M4	€ 123



SINGLE LEVER MIXER TAP

- Flow rate: 22 L/min. at 3 bar
- Spout length: 155 mm
- Check valve on request

REF.	PRICE
M6	€ 116

WASHBASIN TAPS



CERAMIC SELF-CLOSING TAP

- Flow rate: 8 L/min. at 3 bar
- Spout length: 112 mm

REF.	PRICE
L1	€ 79



TAP 1/2" WITH SWIVEL SPOUT

- Flow rate: 8 l/min at 3 bar
- Spout length: 245 mm

REF.	PRICE
L2	€ 78



RIVER SELF-CLOSING TAP

- Running time 20 sec.
- Running time adjustable: 0 - 30 sec.
- Flow rate (3 bar): 7 L/min.

REF.	PRICE
L3R	€ 122



SINGLE LEVER MIXER TAP

- Flow rate: 12 L/min. at 3 bar
- Spout length: 140 mm
- Check valve on request

REF.	PRICE
L4*	€ 88

* Kiwa approved tap available on request



PRESTO SELF-CLOSING TAP

- Flow rate: 3 L/min. at 3 bar, adjustable in 4 positions
- Running time: 15 seconds

REF.	PRICE
L3P	€ 130



DELABIE SELF-CLOSING TAP

- Flow rate: 3 L/min. at 3 bar, adjustable between 1.4 L and 6 L/min.
- Running time: 7 seconds

REF.	PRICE
L3D	€ 126



* APPROVED TAP ON REQUEST



ELECTRONIC TAP

- L6B: battery powered
- L6T: mains power supply, transformer incl.
- Flow rate: 36 L/min. at 3 bar
- Running time: as long as there is detection with a maximum of 120 seconds

REF.	PRICE
L6B	€ 449
L6T	€ 418



ELECTRONIC TAP

- LINES: battery and mains powered, transformer incl.
- Flow rate: 9 L/min. at 3 bar
- Running time: as long as there is detection with a maximum of 70 seconds

REF.	PRICE
LINES	€ 203



Do you have a question about our products or would you like to book a visit for your specific situation? Feel free to contact us.

📍 Brouwerijstraat 59
9770 Kruisem

☎ +32 9 333 83 83

✉ info@intersan.be

Follow us on social media

Would you like to stay informed about our latest activities? Then, certainly follow us on Instagram & LinkedIn.